



**BOARD OF COUNTY COMMISSIONERS  
WARREN COUNTY, OHIO**

*406 Justice Drive, Lebanon, Ohio 45036*

*www.co.warren.oh.us*

*commissioners@co.warren.oh.us*

*Telephone (513) 695-1250  
Facsimile (513) 695-2054*

***TOM GROSSMANN  
SHANNON JONES  
DAVID G. YOUNG***

**ENTER INTO CONTRACT WITH EAGLE BRIDGE CO. FOR THE EDWARDSVILLE ROAD BRIDGE #196-1.01 REHABILITATION PROJECT**

WHEREAS, pursuant to Resolution 21-0192, adopted February 9, 2021, this Board approved a Notice of Intent to Award Contract for the Edwardsville Road Bridge #196-1.01 Rehabilitation Project to Eagle Bridge Co., for a total bid price of \$522,279.89; and

WHEREAS, all documentation, including performance bonds, insurance certificates, etc., has been submitted by the contractor; and

NOW THEREFORE BE IT RESOLVED, to enter into contract with Eagle Bridge Co., 800 S. Vandemark Rd., Sidney, Ohio for said project, for a total contract price of \$522,279.89; as attached hereto and made a part hereof.

Mr. Grossmann moved for adoption of the foregoing resolution being seconded by Mr. Young. Upon call of the roll, the following vote resulted:

Mrs. Jones – yea  
Mr. Young – yea  
Mr. Grossmann – yea

Resolution adopted this 16<sup>th</sup> day of March 2021.

**BOARD OF COUNTY COMMISSIONERS**

---

Tina Osborne, Clerk

lkl/

cc: c/a—Eagle Bridge Co.  
Engineer (file)  
OMB Bid file



# BOARD OF COUNTY COMMISSIONERS

## WARREN COUNTY, OHIO

406 Justice Drive, Lebanon, Ohio 45036

[www.co.warren.oh.us](http://www.co.warren.oh.us)

[commissioners@co.warren.oh.us](mailto:commissioners@co.warren.oh.us)

Telephone (513) 695-1250

Facsimile (513) 695-2054

**TOM GROSSMANN**

**SHANNON JONES**

**DAVID G. YOUNG**

### APPROVE NOTICE OF INTENT TO AWARD BID FOR THE EDWARDSVILLE ROAD BRIDGE #196-1.01 REHABILITATION PROJECT

WHEREAS, bids were closed at 9:00 a.m., February 2, 2021, and the bids received were opened and read aloud for the Edwardsville Road Bridge #196-1.01 Rehabilitation Project and the results are on file in the Commissioners' Office; and

WHEREAS, upon review of such bids by Roy Henson, Warren County Bridge Engineer, Eagle Bridge Co., 800 S Vandemark Road, Sidney, Ohio, has been determined to be the lowest and best bidder; and

NOW THEREFORE BE IT RESOLVED, upon recommendation of Roy Henson, that it is the intent of this Board to award the bid to Eagle Bridge Co., for a total bid price of \$522,279.89; and

BE IT FURTHER RESOLVED, that the County Administrator is hereby authorized to execute a "Notice of Intent to Award."

Mrs. Jones moved for adoption of the foregoing resolution being seconded by Mr. Grossmann. Upon call of the roll, the following vote resulted:

Mr. Young – yea

Mr. Grossmann – yea

Mrs. Jones – yea

Resolution adopted this 9<sup>th</sup> day of February 2021.

BOARD OF COUNTY COMMISSIONERS

---

Tina Osborne, Clerk

KH/

cc: Engineer (file)  
OMB Bid file

## **PLAN HOLDERS LIST**

### **Edwardsville Road Bridge #196-1.01 Rehabilitation Project**

Individuals or companies can be added to the plan holders list by contacting Kiana Hawk at [kiana.hawk@co.warren.oh.us](mailto:kiana.hawk@co.warren.oh.us)

<b>Name</b>	<b>Company</b>	<b>Phone Number</b>	<b>E-mail Address</b>
Andrew Strunk	Sunesis Construction	513.326.6000	<a href="mailto:astrunk@sunesiscc.com">astrunk@sunesiscc.com</a> <a href="mailto:rhollen@sunesiscc.com">rhollen@sunesiscc.com</a>
Rob Dierig	John R. Jurgensen	513.771.0820	<a href="mailto:rob.dierig@jrjnet.com">rob.dierig@jrjnet.com</a>
Lisa McNabb	W G Stang, LLC	513.863.6924	<a href="mailto:wgstang@cinci.rr.com">wgstang@cinci.rr.com</a>
Sean Wade	Eagle Bridge	937.492.5654	<a href="mailto:smw@eaglebridge.net">smw@eaglebridge.net</a>
Tom Scheidt	DDK Construction	513.479.5768	<a href="mailto:burgerscheidt@aol.com">burgerscheidt@aol.com</a>
Edmond McVey	Cooper Excavating	937.373.4415	
Justin Guzzo	Double Z Construction	614.274.2700 x 407	<a href="mailto:justinguzzo@doublez.co">justinguzzo@doublez.co</a>
Edmund McVey	Cooper's Excavating, LLC	937.373.4415	<a href="mailto:edmund@coopersexc.com">edmund@coopersexc.com</a>
Rahsaan Jackson	Ford Development Corp.	513.772.1521	<a href="mailto:rahsaan@forddevelopment.com">rahsaan@forddevelopment.com</a>

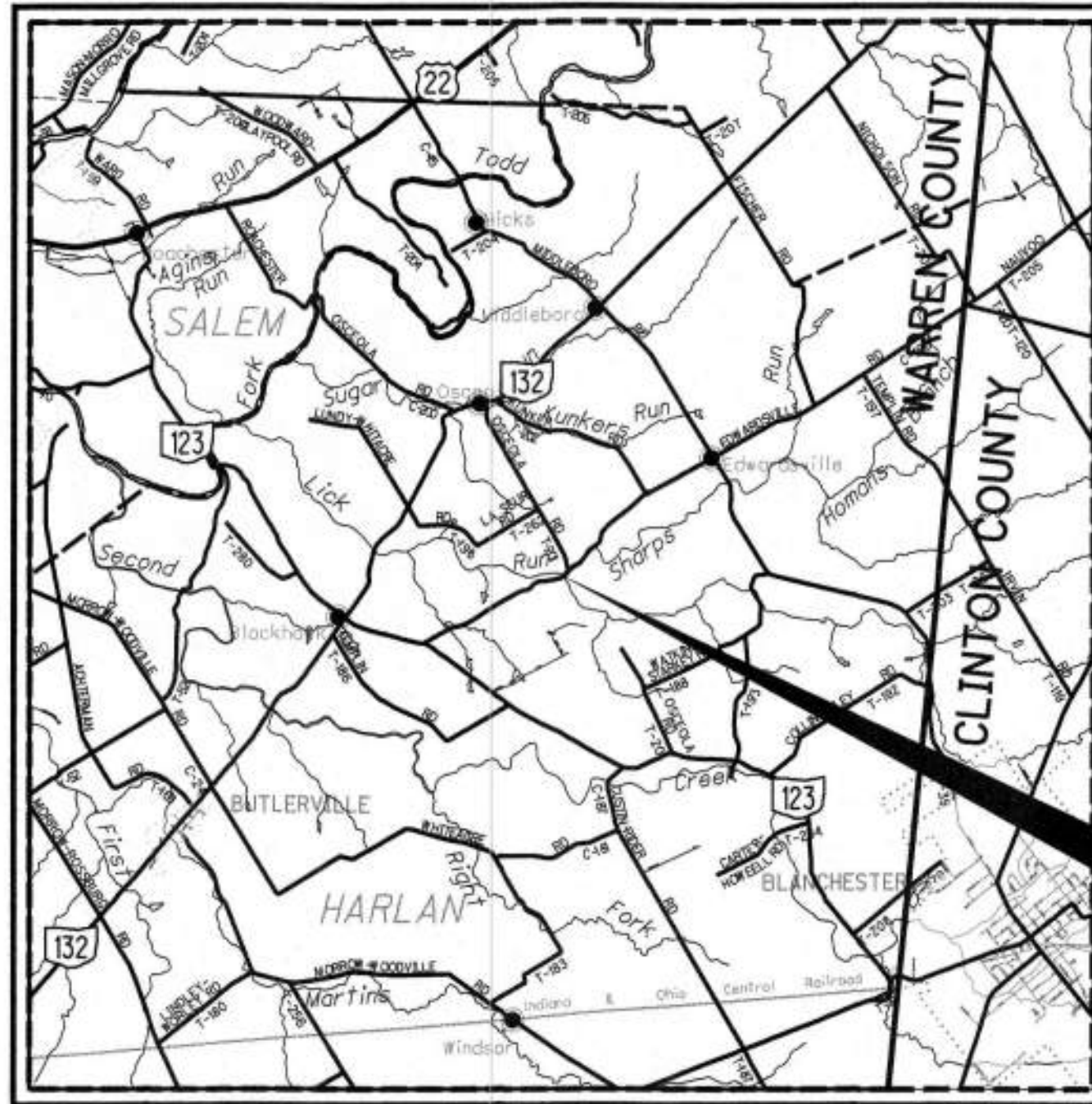


WARREN COUNTY, OHIO  
WARREN COUNTY ENGINEER

# WAR-C.R. 196-1.01 (EDWARDSVILLE ROAD)

**PROJECT DESCRIPTION**

THIS PROJECT CONSISTS OF REPLACING THE EXISTING BRIDGE SUPERSTRUCTURE WITH PRE-STRESSED CONCRETE BOX BEAMS WITH CARBON FIBER CABLE (CFCC) STRANDS. WORK ALSO INCLUDES MINOR ROADWAY IMPROVEMENTS.



PROJECT LOCATION

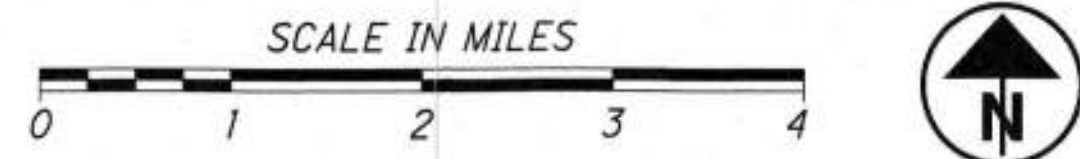
OVER LICK RUN  
BRIDGE NO. WAR C0196-0101  
HARLAN TOWNSHIP

**EARTH DISTURBED AREAS**

PROJECT EARTH DISTURBED AREA: 0.35 ACRES  
ESTIMATED CONTRACTOR EARTH DISTURBED AREA: 0.25 ACRES  
NOTICE OF INTENT EARTH DISTURBED AREA: N/A (NOT REQUIRED)

**LOCATION MAP**

LATITUDE: 39°19'33" N LONGITUDE: 84°02'41" W



PORTION TO BE IMPROVED	—————
INTERSTATE HIGHWAY	—————
FEDERAL ROUTES	—————
STATE ROUTES	—————
COUNTY & TOWNSHIP ROADS	—————
OTHER ROADS	—————

**DESIGN DESIGNATION**

CURRENT ADT (2018)	376
DESIGN SPEED	55
LEGAL SPEED	55
DESIGN FUNCTIONAL CLASSIFICATION:	
LOCAL ROAD	

**INDEX OF SHEETS:**

TITLE SHEET	1
TYPICAL SECTIONS	2
GENERAL NOTES	3
MAINTENANCE OF TRAFFIC	4-5
GENERAL SUMMARY	6
SUBSUMMARIES	7
PLAN AND PROFILE	8
CROSS SECTIONS	9-13
SUPERELEVATION TABLE	14
DRIVE DETAILS	15
DRIVE PROFILES	16
TRAFFIC CONTROL	17
STRUCTURES OVER 20' SPAN	18-26

**2019 SPECIFICATIONS**

THE STANDARD SPECIFICATIONS OF THE STATE OF OHIO, DEPARTMENT OF TRANSPORTATION, INCLUDING SUPPLEMENTAL SPECIFICATIONS LISTED IN THE PLANS AND CHANGES LISTED IN THE PROPOSAL SHALL GOVERN THIS IMPROVEMENT.

I HEREBY APPROVE THESE PLANS AND DECLARE THAT THE MAKING OF THIS IMPROVEMENT WILL REQUIRE THE CLOSING TO TRAFFIC OF THE HIGHWAY AND THAT DE-TOURS WILL BE PROVIDED AS INDICATED ON SHEET 5.

Ohio Utilities Protection Service



PLAN PREPARED BY:



ENGINEERS SEAL:



SIGNED: *Andrew Stumbo*  
DATE: 4/29/2020  
SHEETS: 1-17

ENGINEERS SEAL:



SIGNED: *Amy Moore*  
DATE: 4/29/2020  
SHEETS: 18-26

STANDARD CONSTRUCTION DRAWINGS										SUPPLEMENTAL SPECIFICATIONS		SPECIAL PROVISIONS	
BP-3.1	1/17/20	MGS-1.1	1/19/18	DS-1-92	7/18/03	MT-101.60	1/17/20	TC-41.20	10/18/13	800-2019	10/21/22		
BP-4.1	7/19/13	MGS-2.1	1/19/18	PSBD-2-07	7/20/18	MT-105.10	1/17/20	TC-41.30	10/18/13	832	10/19/18		
		MGS-3.1	1/19/18	TST-1-99	7/20/18			TC-42.20	10/18/13	843	10/18/19		
DM-4.1	7/20/18	MGS-4.2	7/19/13					TC-52.10	10/18/13	846	4/17/15		
DM-4.3	1/15/16							TC-52.20	7/20/18				
DM-4.4	1/15/16							TC-61.30	7/19/19				

APPROVED \_\_\_\_\_  
DATE \_\_\_\_\_ WARREN COUNTY ENGINEER

APPROVED \_\_\_\_\_  
DATE \_\_\_\_\_ WARREN COUNTY COMMISSIONER

APPROVED \_\_\_\_\_  
DATE \_\_\_\_\_ WARREN COUNTY COMMISSIONER

APPROVED \_\_\_\_\_  
DATE \_\_\_\_\_ WARREN COUNTY COMMISSIONER

F:\37\37028\3702800\04\_CAD\TRNS\370280\_Roadway\Design\Roadway\Sheets\370280\_GT001.dgn Sheet 4/21/2020 8:53:55 AM ATStumbo

FEDERAL PROJECT NO.

PID NO.  
108833

CONSTRUCTION PROJECT NO.

RAILROAD INVOLVEMENT  
NONE

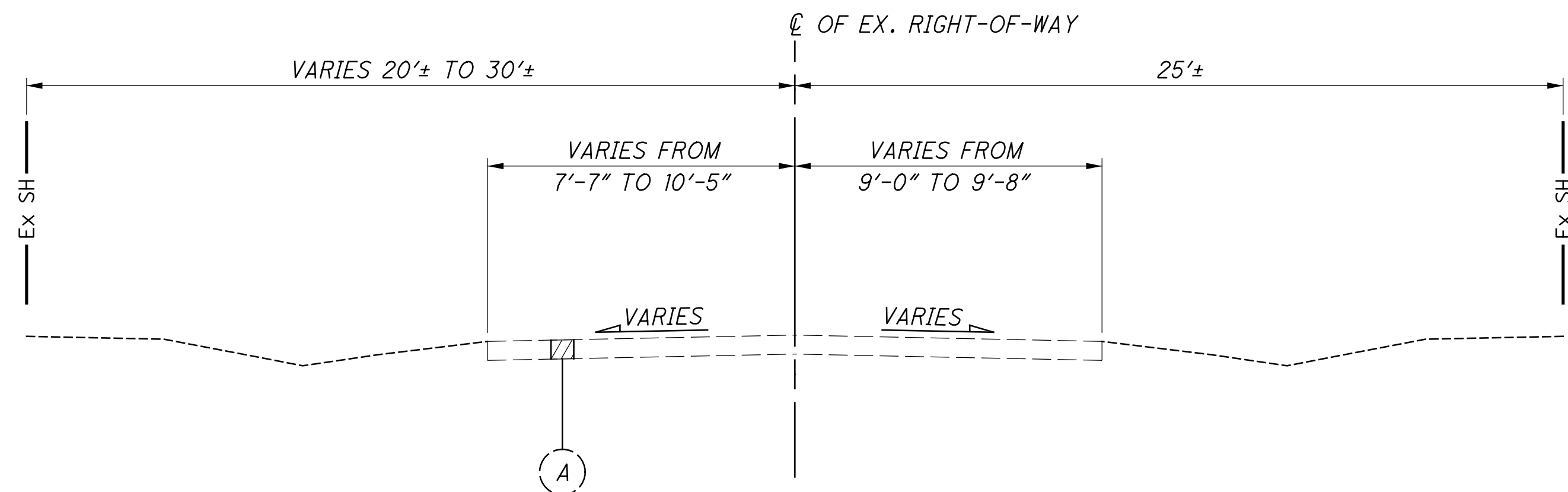
WAR-C.R. 196-1.01



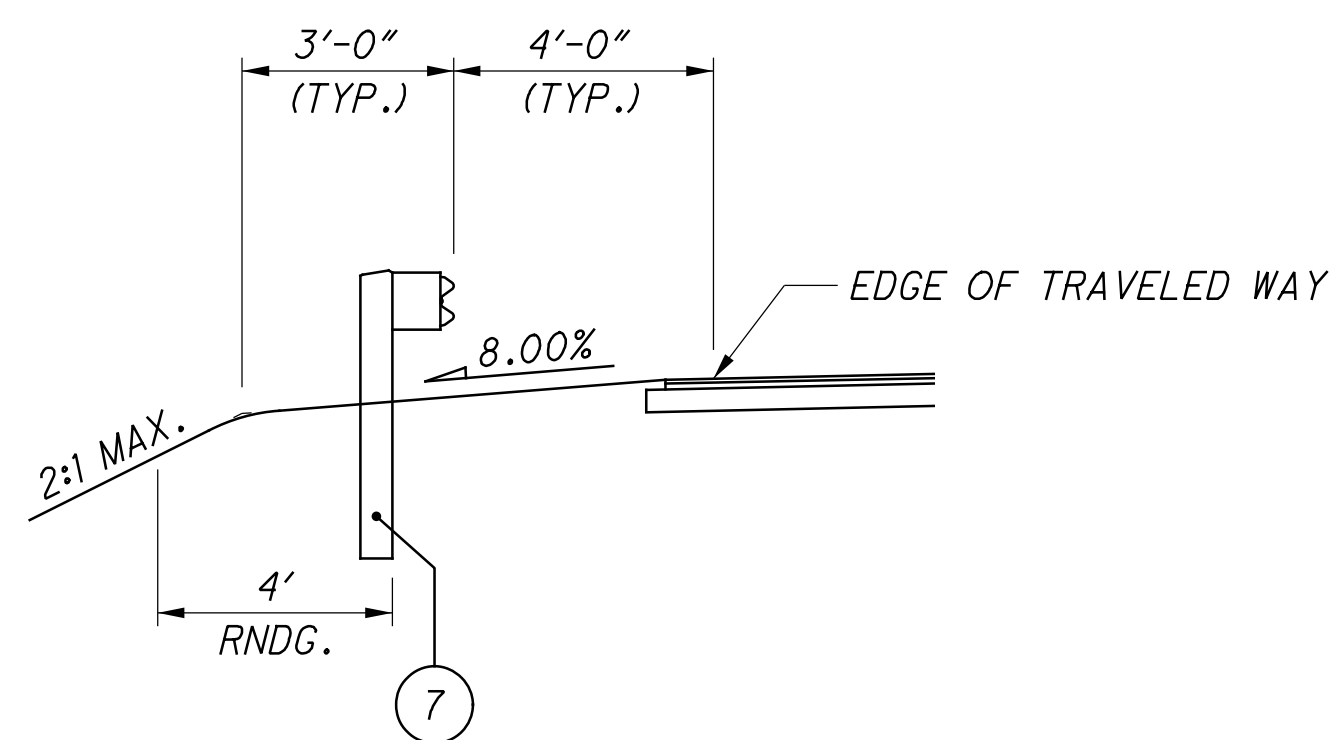
F:\37\37028\3702800\04\_CAD\TRNS\370280\_WAR-EDWARDSVILL\Design\Roadway\Sheets\370280\_C\001.dgn Sheet 4/27/2020 2:26:27 PM ATStumbo

**LEGEND**

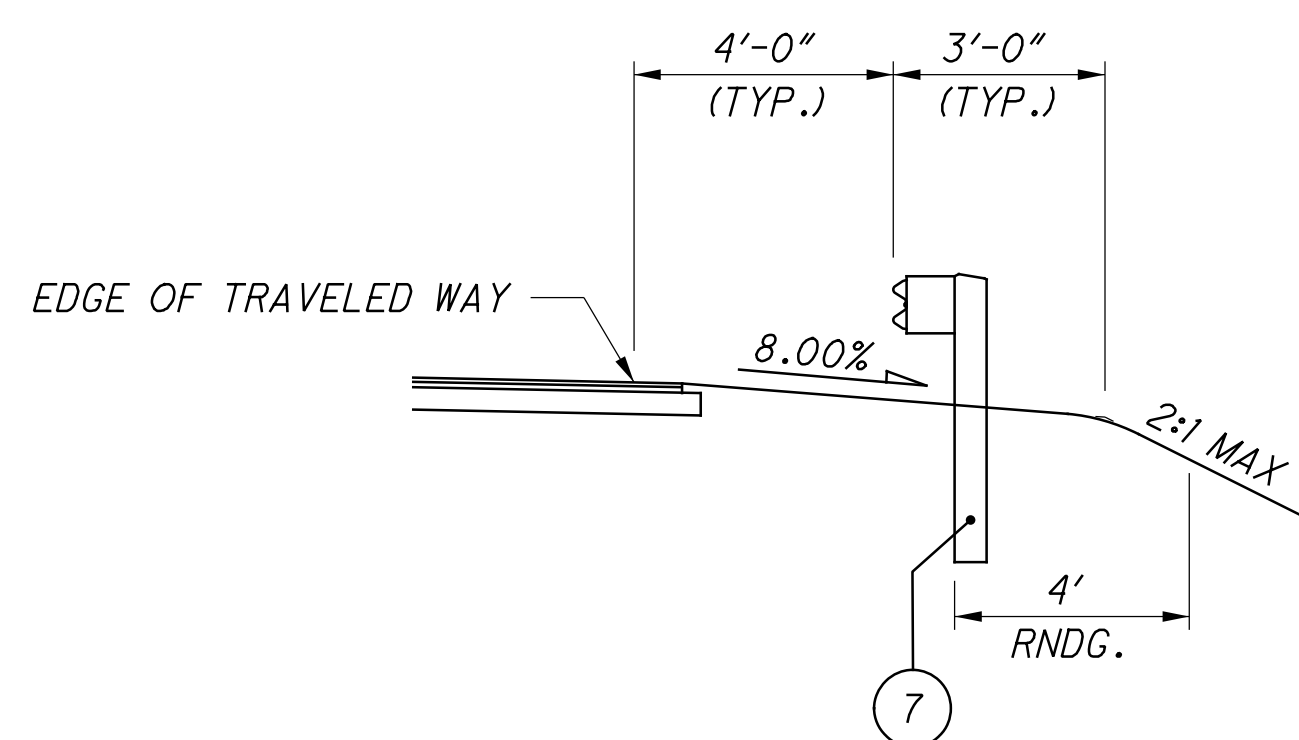
- (A) EXISTING ASPHALT CONCRETE
- (1) ITEM 441 - 1-1/2" ASPHALT CONCRETE SURFACE COURSE, TYPE 1, (448), PG64-22
- (2) ITEM 407 - TACK COAT (APPLY 0.10 GAL/SY BETWEEN EACH LIFT OF 441 ASPHALT CONCRETE PLACED)
- (3) ITEM 441 - 1-1/2" ASPHALT CONCRETE INTERMEDIATE COURSE, TYPE 1, (448), PG64-22
- (4) ITEM 301 - 8" ASPHALT CONCRETE BASE, PG64-22 (2, 4" EQUAL LIFTS)
- (5) ITEM 204 - SUBGRADE COMPACTION
- (6) ITEM 659 - SEEDING AND MULCHING
- (7) ITEM 606 - GUARDRAIL, TYPE MGS



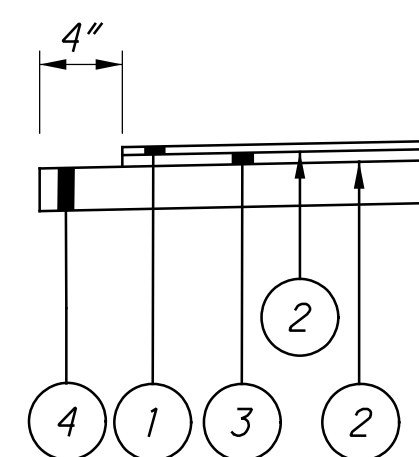
EDWARDSVILLE ROAD (C.R. 196) EXISTING SECTION



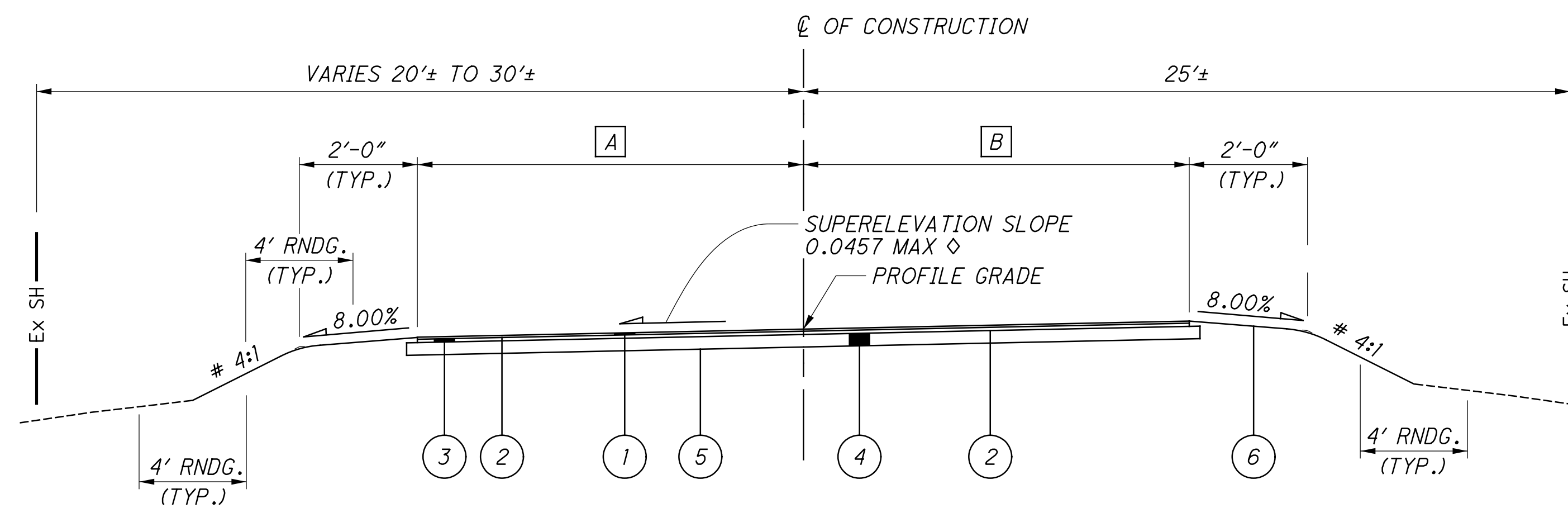
TYPICAL LEFT SIDE GUARDRAIL SECTION



TYPICAL RIGHT SIDE GUARDRAIL SECTION



BASE AND SUBBASE STEP DETAIL



EDWARDSVILLE ROAD (C.R. 196) SUPERELEVATED SECTION

STA. 51+84.00 TO STA. 53+09.91 LT.  
 STA. 51+84.00 TO STA. 53+09.91 RT.  
 STA. 53+51.41 TO STA. 55+00.00 LT.  
 STA. 53+51.41 TO STA. 55+00.00 RT.

# OR AS SHOWN IN THE CROSS SECTIONS  
 ◇ SEE SHEET 14 FOR ACTUAL CROSS SLOPES

- (A) VARIES FROM 10'-5" AT STA. 51+84.00 TO 14'-0" AT STA. 53+09.91  
 VARIES FROM 14'-0" AT STA. 53+51.41 TO 7'-7" AT STA. 55+00.00
- (B) VARIES FROM 9'-0" AT STA. 51+84.00 TO 14'-0" AT STA. 53+09.91  
 VARIES FROM 14'-0" AT STA. 53+51.41 TO 9'-8" AT STA. 55+00.00

TYPICAL SECTIONS

WAR-C.R. 196-1.01



**UTILITIES**

LISTED BELOW ARE ALL UTILITIES LOCATED WITHIN THE PROJECT CONSTRUCTION LIMITS TOGETHER WITH THEIR RESPECTIVE OWNERS:

DAYTON POWER & LIGHT BILL WARD (937) 554-9063  
1900 DRYDEN RD.  
DAYTON, OHIO 45439

FRONTIER COMMUNICATIONS DAVE LONGWORTH (937) 283-5735  
241 SOUTH NELSON AVENUE  
WILMINGTON, OHIO 45177

WESTERN WATER COMPANY KURT MEEKER (513) 899-3211 EXT. 22  
1775 S.R. 28  
GOSHEN, OHIO 45122

THE LOCATION OF THE UNDERGROUND UTILITIES SHOWN ON THE PLANS ARE AS OBTAINED FROM THE OWNERS AS REQUIRED BY SECTION 153.64 O.R.C.

THE FOLLOWING ARE THE OUPS NUMBERS RESULTANT FROM THE ENGINEER'S REQUEST FOR PHYSICAL LOCATE AND UTILITY PRINTS FOR EXISTING UTILITIES:

MARCH 11, 2019  
OUPS REFERENCE #B905600555

ALL EXISTING UTILITIES HAVE BEEN SHOWN IN THEIR APPROXIMATE LOCATION ACCORDING TO THE BEST AVAILABLE INFORMATION. IT IS THE RESPONSIBILITY OF THE CONTRACTOR TO CONTACT ALL UTILITIES AT LEAST 48 HOURS PRIOR TO THE CONSTRUCTION TO VERIFY AND OBTAIN ACCURATE LOCATIONS OF SAID UNDERGROUND UTILITIES. IT IS THE RESPONSIBILITY OF THE CONTRACTOR TO VERIFY THE UTILITIES OF THE AREA.

OHIO UTILITIES PROTECTION SERVICE  
100 FEDERAL BUILDING EAST  
YOUNGSTOWN, OHIO 44503  
1-800-362-2764

**WORK LIMITS**

THE WORK LIMITS SHOWN ON THESE PLANS ARE FOR PHYSICAL CONSTRUCTION ONLY. PROVIDE THE INSTALLATION AND OPERATION OF ALL WORK ZONE TRAFFIC CONTROL AND WORK ZONE TRAFFIC CONTROL DEVICES REQUIRED BY THESE PLANS WHETHER INSIDE OR OUTSIDE THESE WORK LIMITS.

**ROUNDING**

THE ROUNDING AT SLOPE BREAKPOINTS SHOWN ON THE TYPICAL SECTIONS APPLIES TO ALL CROSS-SECTIONS EVEN THOUGH OTHERWISE SHOWN.

**EXISTING PLANS**

EXISTING PLANS MAY BE INSPECTED IN THE WARREN COUNTY ENGINEER'S OFFICE IN LEBANON, OHIO.

**ITEM 204 - PROOF ROLLING**

THE FOLLOWING QUANTITY IS PROVIDED IN THE GENERAL SUMMARY TO ADDRESS LOCATIONS REQUIRING PROOF ROLLING.

ITEM 204 - PROOF ROLLING 1 HOUR.

**SURVEYING PARAMETERS**

PRIMARY PROJECT CONTROL MONUMENTS GOVERN ALL POSITIONING ON WARREN COUNTY ENGINEER'S OFFICE PROJECTS. SEE SHEET 8 OF THE PLANS FOR A TABLE CONTAINING PROJECT CONTROL INFORMATION.

USE THE FOLLOWING PROJECT CONTROL, VERTICAL POSITIONING, AND HORIZONTAL POSITIONING PARAMETERS FOR ALL SURVEYING:

PROJECT CONTROL

POSITIONING METHOD: ODOT VRS  
MONUMENT TYPE: TYPE B

VERTICAL POSITIONING

ORTHOMETRIC HEIGHT DATUM: NAVD29  
GEOID: 12A

HORIZONTAL POSITIONING

REFERENCE FRAME: NAD83(2011)  
ELLIPSOID: GRS80  
MAP PROJECTION: LAMBERT CONFORMAL CONIC  
COORDINATE SYSTEM: OHIO STATE PLANE, SOUTH ZONE  
COMBINED SCALE FACTOR: 1.00009753  
ORIGIN OF COORDINATE SYSTEM: 0,0

USE THE POSITIONING METHODS AND MONUMENT TYPE USED IN THE ORIGINAL SURVEY TO RESTORE ALL MONUMENTS RELATED TO PRIMARY PROJECT CONTROL THAT ARE DAMAGED OR DESTROYED BY CONSTRUCTION ACTIVITIES. RESTORE THE DAMAGED OR DESTROYED MONUMENTS IN ACCORDANCE WITH CMS 623.

UNITS ARE IN U.S. SURVEY FEET.

**CLEARING AND GRUBBING**

REMOVE ALL TREES AND STUMPS SPECIFICALLY MARKED FOR REMOVAL WITHIN THE CONSTRUCTION LIMITS UNDER THE LUMP SUM BID FOR ITEM 201, CLEARING AND GRUBBING. THE FOLLOWING IS AN APPROXIMATE ESTIMATE OF THE NUMBER OF TREES AND STUMPS TO BE REMOVED.

SIZES	NO. TREES	NO. STUMPS	TOTAL
18"	1		1
30"	1		1
36"	2		2

**SAW CUTTING EXISTING PAVEMENT**

WHERE THE PLANS CALL FOR SAW CUTTING NEAT LINES ALONG THE EXISTING ASPHALT AND CONCRETE SURFACES, THE SAW CUT SHALL BE FULL DEPTH. THE COST FOR SAW CUTS REQUIRED SHALL BE INCLUDED IN THE UNIT PRICE BID FOR THE PERTINENT PAVEMENT ITEM WHERE SAW CUTTING IS NEEDED.

**ITEM 606 - ANCHOR ASSEMBLY, MGS TYPE E**

THIS ITEM SHALL CONSIST OF FURNISHING AND INSTALLING ANY OF THE GUARDRAIL END TERMINALS FOR TYPE MGS GUARDRAIL AS LISTED ON ROADWAY ENGINEERING'S WEB PAGE UNDER ROADSIDE SAFETY DEVICES FOR APPROVED GUARDRAIL END TREATMENTS. INSTALLATION SHALL BE AT THE LOCATIONS SPECIFIED IN THE PLANS, IN ACCORDANCE WITH THE MANUFACTURER'S SPECIFICATIONS.

THE FACE OF THE TYPE E IMPACT HEAD SHALL BE COVERED WITH A SHEET OF TYPE G REFLECTIVE SHEETING, PER CMS 730.19.

REFER TO THE MANUFACTURER'S INSTRUCTIONS REGARDING THE INSTALLATION OF, AND THE GRADING AROUND THE FOUNDATION TUBES AND GROUND STRUT. THE TOP OF ANY FOUNDATION TUBE SHOULD BE LESS THAN 4 INCHES ABOVE THE GROUND. THE PLACEMENT OF THE FOUNDATION TUBES SHOULD BE AN APPROPRIATE DEPTH BELOW THE LEVEL LINE IN ORDER TO MAINTAIN THE FINISHED GUARDRAIL HEIGHT OF 31 INCHES FROM THE EDGE OF THE SHOULDER.

ON-SITE GRADING IS REQUIRED IF THE TOP OF THE FOUNDATION TUBES OR TOP OF THE GROUND STRUT DOES PROJECT MORE THAN 4 INCHES ABOVE THE GROUND LINE.

PAYMENT FOR THE ABOVE WORK SHALL BE MADE AT THE UNIT PRICE BID FOR ITEM 606, ANCHOR ASSEMBLY, MGS TYPE E, EACH, AND SHALL INCLUDE ALL LABOR, TOOLS, EQUIPMENT AND MATERIALS NECESSARY TO CONSTRUCT A COMPLETE AND FUNCTIONAL ANCHOR ASSEMBLY SYSTEM, INCLUDING ALL RELATED TRANSITIONS, REFLECTIVE SHEETING, HARDWARE, GRADING, EMBANKMENT AND EXCAVATION NOT SEPARATELY SPECIFIED, AS REQUIRED BY THE MANUFACTURER.

**SEEDING AND MULCHING**

THE FOLLOWING QUANTITIES ARE PROVIDED TO PROMOTE GROWTH AND CARE OF PERMANENT SEEDED AREAS:

659, TOPSOIL	75 CU. YD.
659, SEEDING AND MULCHING	667 SQ. YD.
659, COMMERCIAL FERTILIZER	0.10 TON
659, LIME	0.14 ACRES
659, WATER	4 M. GAL.

SEEDING AND MULCHING SHALL BE APPLIED TO ALL AREAS OF EXPOSED SOIL BETWEEN THE RIGHT-OF-WAY LINES, AND WITHIN THE CONSTRUCTION LIMITS FOR AREAS OUTSIDE THE RIGHT-OF-WAY LINES COVERED BY WORK AGREEMENT OR SLOPE EASEMENT. QUANTITY CALCULATIONS FOR SEEDING AND MULCHING ARE BASED ON THESE LIMITS.

**BENCHING OF FOUNDATION SLOPES**

ALTHOUGH CROSS-SECTIONS INDICATE SPECIFIC DIMENSIONS FOR PROPOSED BENCHING OF THE EMBANKMENT FOUNDATIONS IN CERTAIN AREAS, NO WAIVER OF THE SPECIFICATIONS IS INTENDED. BENCH ALL OTHER SLOPED EMBANKMENT AREAS AS SET FORTH IN 203.05. NO ADDITIONAL PAYMENT WILL BE MADE FOR BENCHING REQUIRED UNDER THE PROVISIONS OF 203.05.

**ITEM 630 - REMOVAL OF GROUND MOUNTED SIGN AND STORAGE, AS PER PLAN**

ALL EXISTING SIGNS AND POSTS DESIGNATED FOR REMOVAL SHALL BE STORED IN A SECURE LOCATION AT THE PROJECT SITE FOR PICK-UP BY WARREN COUNTY ENGINEER'S OFFICE FORCES. ALL COSTS FOR REMOVAL AND STORAGE OF THE EXISTING SIGNS AND POSTS, SHALL BE INCLUDED IN THE UNIT PRICE BID.

**ITEM 606 - MGS BRIDGE TERMINAL ASSEMBLY, TYPE 1, AS PER PLAN**

THIS ITEM SHALL CONFORM TO CMS ITEM 606 AND SCD MGS-3.1 WITH THE ADDITIONAL REQUIREMENTS BELOW.

AS SHOWN IN THESE PLANS ON SHEET 8, THE CONTRACTOR SHALL OMIT THE 6'3" SECTION OF THRI-BEAM RAIL FROM POST 8 TO 11 FROM THE TERMINAL ASSEMBLY LOCATED IN THE SOUTH WEST QUADRANT OF THE BRIDGE.

PAYMENT FOR THE ABOVE WORK SHALL BE MADE AT THE UNIT PRICE BID FOR ITEM 606, MGS BRIDGE TERMINAL ASSEMBLY, TYPE 1, AS PER PLAN EACH AND SHALL INCLUDE ALL LABOR, TOOLS, EQUIPMENT AND MATERIALS NECESSARY TO CONSTRUCT A COMPLETE AND FUNCTIONAL BRIDGE TERMINAL ASSEMBLY, INCLUDING ALL RELATED TRANSITIONS, HARDWARE, GRADING, EMBANKMENT AND EXCAVATION NOT SEPARATELY SPECIFIED IN THE PLANS AS REQUIRED BY THE SCD MGS-3.1.

CALCULATED  
ATS  
CHECKED  
VAG

GENERAL NOTES

WAR-C.R. 196-1.01

3  
26

F:\37\37028\3702800\04\_CAD\TRNS\370280\_WAR-EDWARDSVILL\Design\Roadway\Sheets\370280\_CN001.dgn Sheet 4/27/2020 2:26:28 PM ATStumbo



**ITEM 614, MAINTAINING TRAFFIC**

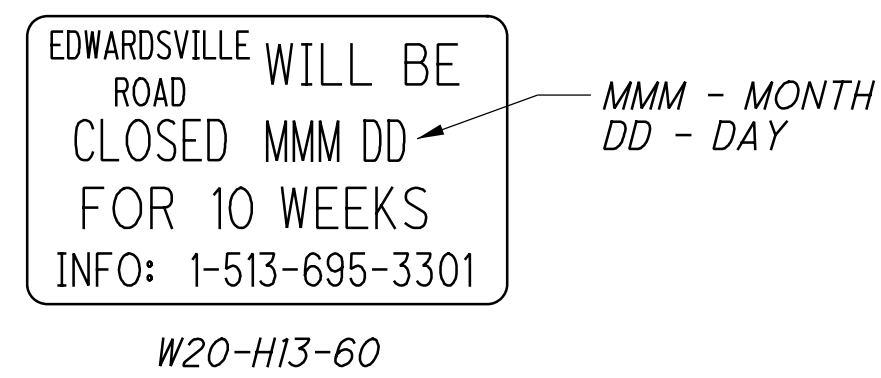
A MINIMUM OF ONE LANE OF TRAFFIC IN EACH DIRECTION SHALL BE MAINTAINED AT ALL TIMES, EXCEPT FOR A PERIOD NOT TO EXCEED 10 WEEKS, WHEN THROUGH TRAFFIC MAY BE DETOURED AS SHOWN ON SHEET 5.

NOTICE OF CLOSURE SIGNS (W20-H13), SHALL BE ERECTED BY THE CONTRACTOR PRIOR TO THE SCHEDULED ROAD OR RAMP CLOSURE IN ACCORDANCE WITH THE NOTICE OF CLOSURE TIME TABLE BELOW.

THE SIGNS SHALL BE ERECTED ON THE RIGHT-HAND SIDE OF THE ROAD/RAMP FACING TRAFFIC. THEY SHALL BE PLACED SO AS NOT TO INTERFERE WITH THE VISIBILITY OF ANY OTHER TRAFFIC CONTROL SIGNS. ON ROADWAYS, THEY SHOULD BE ERECTED AT OR NEAR THE POINT OF CLOSURE.

NOTICE OF CLOSURE SIGN TIME TABLE		
ITEM	DURATION OF CLOSURE	SIGN DISPLAYED TO PUBLIC
RAMP AND ROAD CLOSURES	>= 2 WEEKS	14 CALENDAR DAYS PRIOR TO CLOSURE
	> 12 HOURS & < 2 WEEKS	7 CALENDAR DAYS PRIOR TO CLOSURE
	<= 12 HOURS	2 BUSINESS DAYS PRIOR TO CLOSURE

THE SIGN SHALL DISPLAY THE DATE OF THE CLOSURE IN MMM-DD FORMAT AND THE NUMBER OF WEEKS OF THE CLOSURE. THE LAST LINE OF THE W20-H13 SIGN LISTS A PHONE NUMBER WHICH A MOTORIST MAY CALL FOR ADDITIONAL INFORMATION.



THE CONTRACTOR SHALL PROVIDE, ERECT AND MAINTAIN STANDARD 48 X 30 INCH ROAD CLOSED SIGNS, SIGN SUPPORTS, BARRICADES AND LIGHTS, AS DETAILED IN SCD MT-101.60 AT THE LOCATIONS SHOWN ON THE DETOUR MAP SHOWN ON SHEET 5 DURING PERIODS IN WHICH THE AFFECTED ROADS ARE CLOSED TO TRAFFIC.

ALL WORK AND TRAFFIC CONTROL DEVICES SHALL BE IN ACCORDANCE WITH C&MS 614 AND OTHER APPLICABLE PORTIONS OF THE SPECIFICATIONS, AS WELL AS THE OHIO MANUAL OF UNIFORM TRAFFIC CONTROL DEVICES. PAYMENT FOR ALL LABOR, EQUIPMENT AND MATERIALS SHALL BE INCLUDED IN THE LUMP SUM CONTRACT PRICE FOR ITEM 614, MAINTAINING TRAFFIC, UNLESS SEPARATELY ITEMIZED IN THE PLAN.

**MAILBOXES**

MAILBOXES MUST BE KEPT IN SERVICE AND ACCESSIBLE AT ALL TIMES TO THE U.S. POSTAL SERVICE.

**NOTIFICATION OF TRAFFIC RESTRICTIONS**

THROUGHOUT THE DURATION OF THE PROJECT, THE CONTRACTOR SHALL NOTIFY THE PROJECT ENGINEER IN WRITING OF ALL TRAFFIC RESTRICTIONS AND UPCOMING MAINTENANCE OF TRAFFIC CHANGES. THE CONTRACTOR SHALL ENSURE THE WRITTEN NOTIFICATION IS SUBMITTED IN A TIMELY MANNER TO ALLOW THE PROJECT ENGINEER TO MEET THE REQUIRED TIME FRAMES SET FORTH IN THE TABLE BELOW. THIS NOTIFICATION SHALL BE RECEIVED BY THE PROJECT ENGINEER PRIOR TO THE PHYSICAL SETUP OF ANY APPLICABLE SIGNS OR MESSAGE BOARDS.

INFORMATION SHOULD INCLUDE, BUT IS NOT LIMITED TO, ALL CONSTRUCTION ACTIVITIES THAT IMPACT OR INTERFERE WITH TRAFFIC AND SHALL LIST THE SPECIFIC LOCATION, TYPE OF WORK, ROAD STATUS, DATE AND TIME OF RESTRICTION, DURATION OF RESTRICTION, NUMBER OF LANES MAINTAINED, NUMBER OF LANES CLOSED, MINIMUM VERTICAL CLEARANCE, MINIMUM WIDTH OF DRIVABLE PAVEMENT, DETOUR ROUTES, IF APPLICABLE, AND ANY OTHER INFORMATION REQUESTED BY THE PROJECT ENGINEER.

NOTIFICATION TIME TABLE		
ITEM	DURATION OF CLOSURE	NOTICE DUE TO PERMITS & PIO
RAMP AND ROAD CLOSURES	>= 2 WEEKS	21 CALENDAR DAYS PRIOR TO CLOSURE
	> 12 HOURS & < 2 WEEKS	14 CALENDAR DAYS PRIOR TO CLOSURE
	<= 12 HOURS	4 BUSINESS DAYS PRIOR TO CLOSURE
LANE CLOSURES AND RESTRICTIONS	>= 2 WEEKS	14 CALENDAR DAYS PRIOR TO CLOSURE
	< 2 WEEKS	5 BUSINESS DAYS PRIOR TO CLOSURE
START OF CONSTRUCTION AND TRAFFIC PATTERN CHANGES		14 CALENDAR DAYS PRIOR TO IMPLEMENTATION

ANY UNFORESEEN CONDITIONS NOT SPECIFIED IN THE PLANS REQUIRING TRAFFIC RESTRICTIONS SHALL ALSO BE REPORTED TO THE PROJECT ENGINEER USING THE NOTIFICATION TIME TABLE.

**DRIVEWAY NOTE**

THE CONTRACTOR SHALL NOTIFY EACH PROPERTY OWNER 3 DAYS BEFORE THE OWNER'S DRIVE WILL BE PLACED OR AS IMPACTED BY THE WORK. THE CONTRACTOR MAY NEED TO PLACE HALF OF THE DRIVE AT A TIME (OR ONLY ONE OF SEVERAL DRIVES AT A TIME) FOR SOME OF THE PROPERTIES TO MAINTAIN ACCESS. THE CONTRACTOR SHALL MAKE EVERY EFFORT TO WORK OUT AN AGREEABLE SOLUTION WITH EACH OWNER TO MAINTAIN ACCESS FOR THE OWNERS. PAYMENT SHALL BE INCLUDED WITH THE RESPECTIVE DRIVEWAY ITEM.

F:\37\37028\3702800\04\_CAD\TRNS\3702800\WAR-EDWARDSVILLE\Design\M01\Sheets\3702800\_MN001.dgn Sheet 4/27/2020 2:26:29 PM ATStumbo

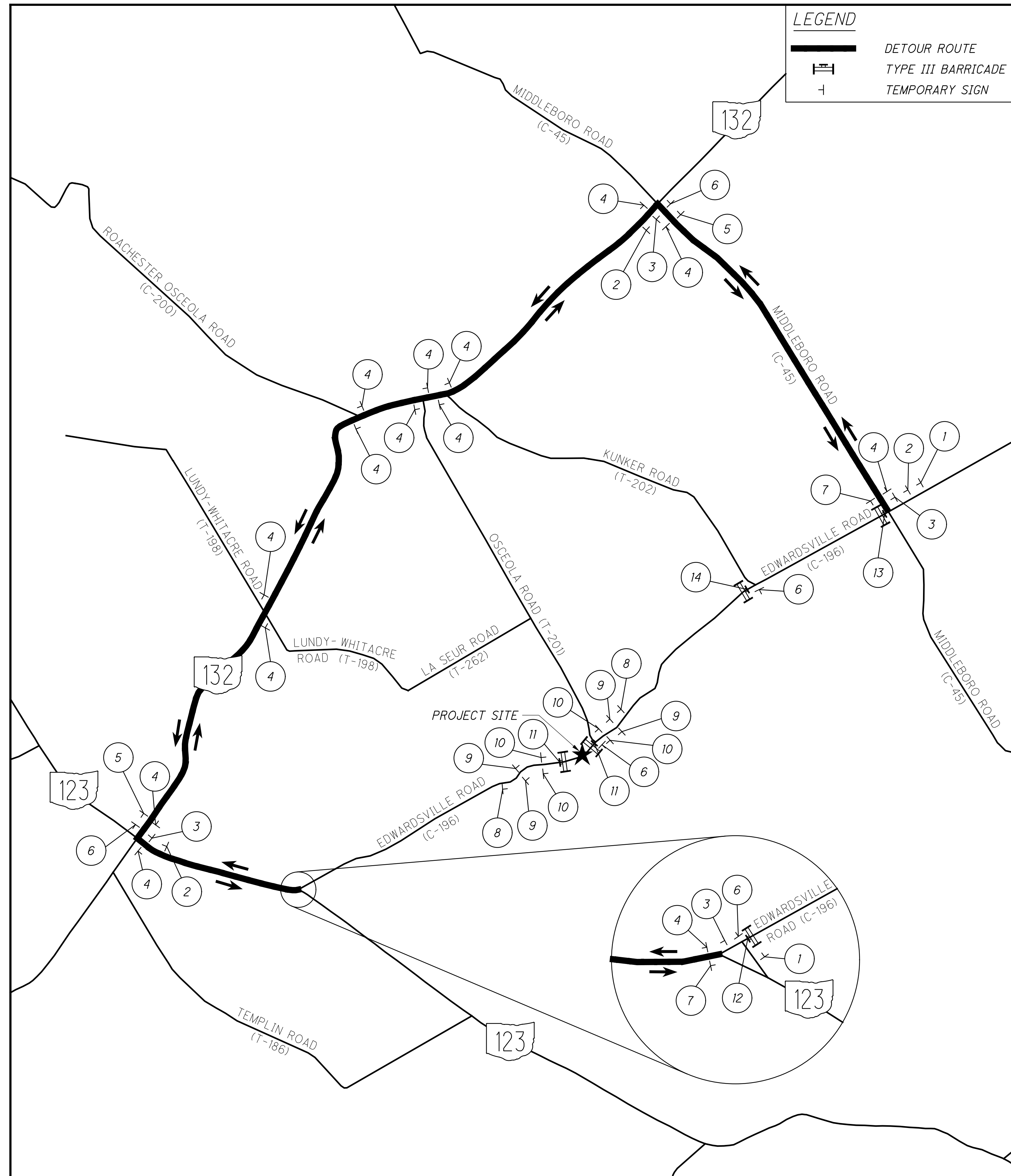
CALCULATED  
ATS  
CHECKED  
VAG

**MAINTENANCE OF TRAFFIC GENERAL NOTES**

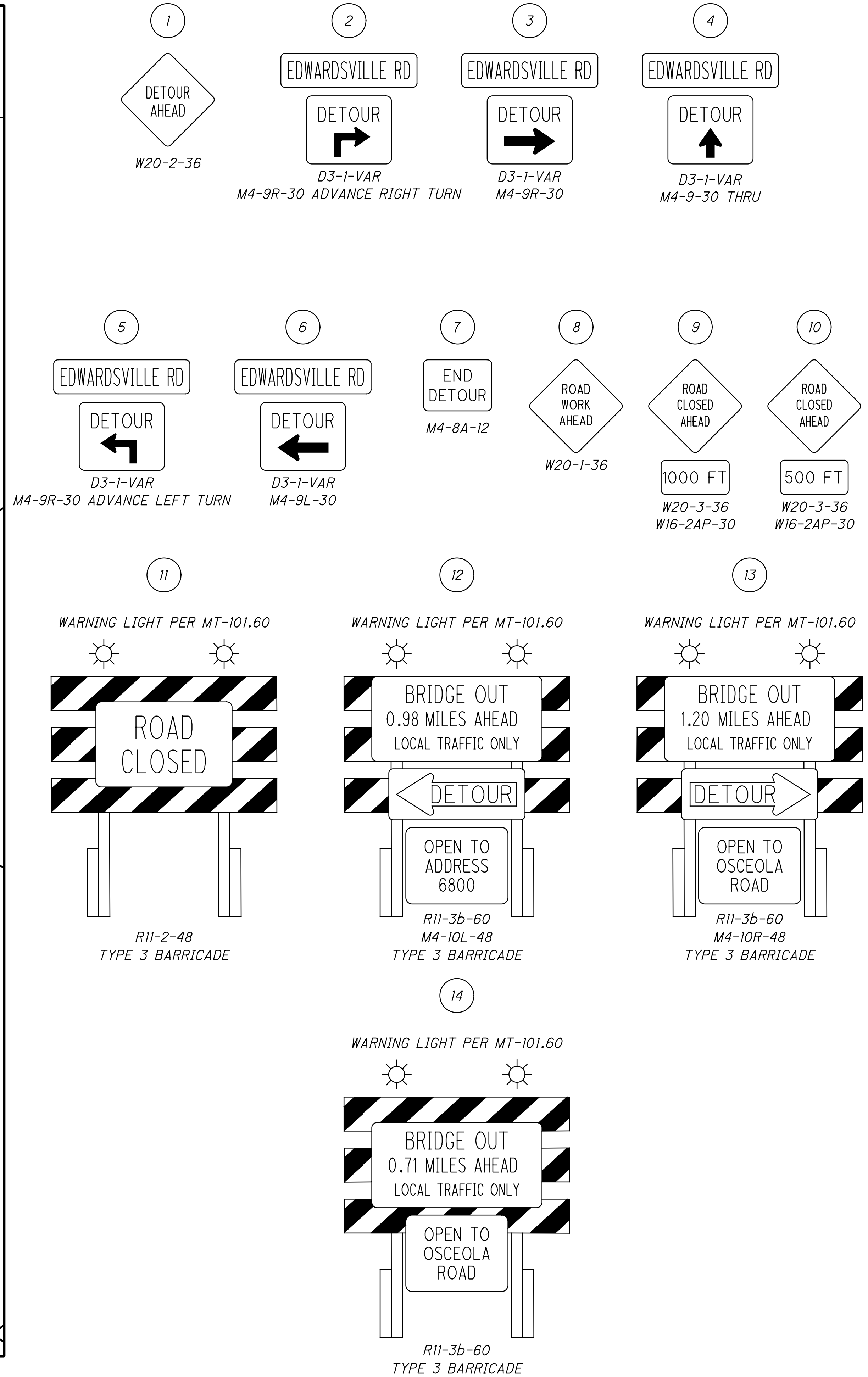
**WAR-C.R. 196-1.01**



F:\37\37028\3702800\04\_CAD\TRNS\370280\_WAR-EDWARDSVILLE\Design\M0T\Sheets\370280\_MD001.dgn Sheet 4/27/2020 2:26:30 PM ATStumbo



**LEGEND**  
 DETOUR ROUTE  
 TYPE III BARRICADE  
 TEMPORARY SIGN



CALCULATED  
 ATS  
 CHECKED  
 VAG  
**MAINTENANCE OF TRAFFIC  
 DETOUR PLAN**  
**WAR-C.R. 196-1.01**  
 5  
 26





F:\37\37028\3702800\04\_CAD\TRNS\370280\_WAR-EDWARDSVILL\Design\Roadway\Sheets\370280\_CS001.dgn Sheet 4/27/2020 2:26:32 PM ATSTumbo

STATION TO STATION	SIDE	LENGTH L	AVERAGE WIDTH W	SURFACE AREA A A = L x W	CADD GENERATED AREAS	204	301	407	441	441	606	606	606	606	606	690	202	202	626
						SUBGRADE COMPACTION	8" ASPHALT CONCRETE BASE, PG64-22	TACK COAT	1-1/2" ASPHALT CONCRETE SURFACE COURSE, TYPE 1, (448), PG64-22	1-1/2" ASPHALT CONCRETE INTERMEDIATE COURSE, TYPE 1, (448), PG64-22	GUARDRAIL, TYPE MGS	ANCHOR ASSEMBLY, MGS TYPE E, NCHRP 350 OR WASH 2016	ANCHOR ASSEMBLY, MGS TYPE T	MGS BRIDGE TERMINAL ASSEMBLY, TYPE 1, AS PER PLAN	MGS BRIDGE TERMINAL ASSEMBLY, TYPE 1	SPECIAL - MAILBOX REMOVED AND RESET	FENCE REMOVED	GUARDRAIL REMOVED	BARRIER REFLECTOR, TYPE 2, BI-DIRECTIONAL
						SQ. YD.	CU. YD.	GAL.	CU. YD.	CU. YD.	FT.	EACH	EACH	EACH	EACH	EACH	FT.	FT.	EACH
51+84.00	53+09.08	LT.	125.08	12.10	1,513	188	38	34	7	7									
51+84.00	53+09.08	RT.	125.08	11.63	1,455	183	37	32	7	7									
53+09.08	53+52.24	LT.	43.16	14.00	604			13	3	5									
53+09.08	53+52.24	RT.	43.16	14.00	604			13	3	5									
53+52.24	55+00.00	LT.	147.76	10.38	1,534	194	39	34	7	7									
53+52.24	55+00.00	RT.	147.76	12.14	1,794	225	46	40	8	8									
52+64.53	53+08.50	LT.									12.5		1		1				
52+80.88	53+08.50	RT.											1	1					
53+52.83	55+38.59	LT.									100	1			1				
53+52.83	54+57.80	RT.									75		1		1				
	52+00.52	LT.														1			
52+62.43	52+87.80	LT.															26		
52+99.09	53+09.91	LT.																	11
52+99.31	53+09.91	RT.																	11
53+51.41	53+61.83	LT.																	10
53+51.41	53+61.59	RT.																	10
52+64.53	55+38.59	LT.																	6
52+80.88	54+59.80	RT.																	4
<b>TOTALS CARRIED TO GENERAL SUMMARY</b>						790	160	166	35	39	187.5	1	3	1	3	1	26	42	10

SHEET NO.	STATION		203	203
			EXCAVATION	EMBANKMENT
	FROM	TO	CU. YD.	CU. YD.
9	51+00.00	51+75.00	0	0
10	51+75.00	52+50.00	56	3
11	52+50.00	53+51.41	51	7
12	53+51.41	54+75.00	84	31
13	54+75.00	56+00.00	24	7
<b>TOTALS CARRIED TO GENERAL SUMMARY</b>			215	48

CALCULATED	ATS
	CHECKED
VAG	
<b>SUBSUMMARIES</b>	
<b>WAR - C.R. 196 - 1.01</b>	
7 26	



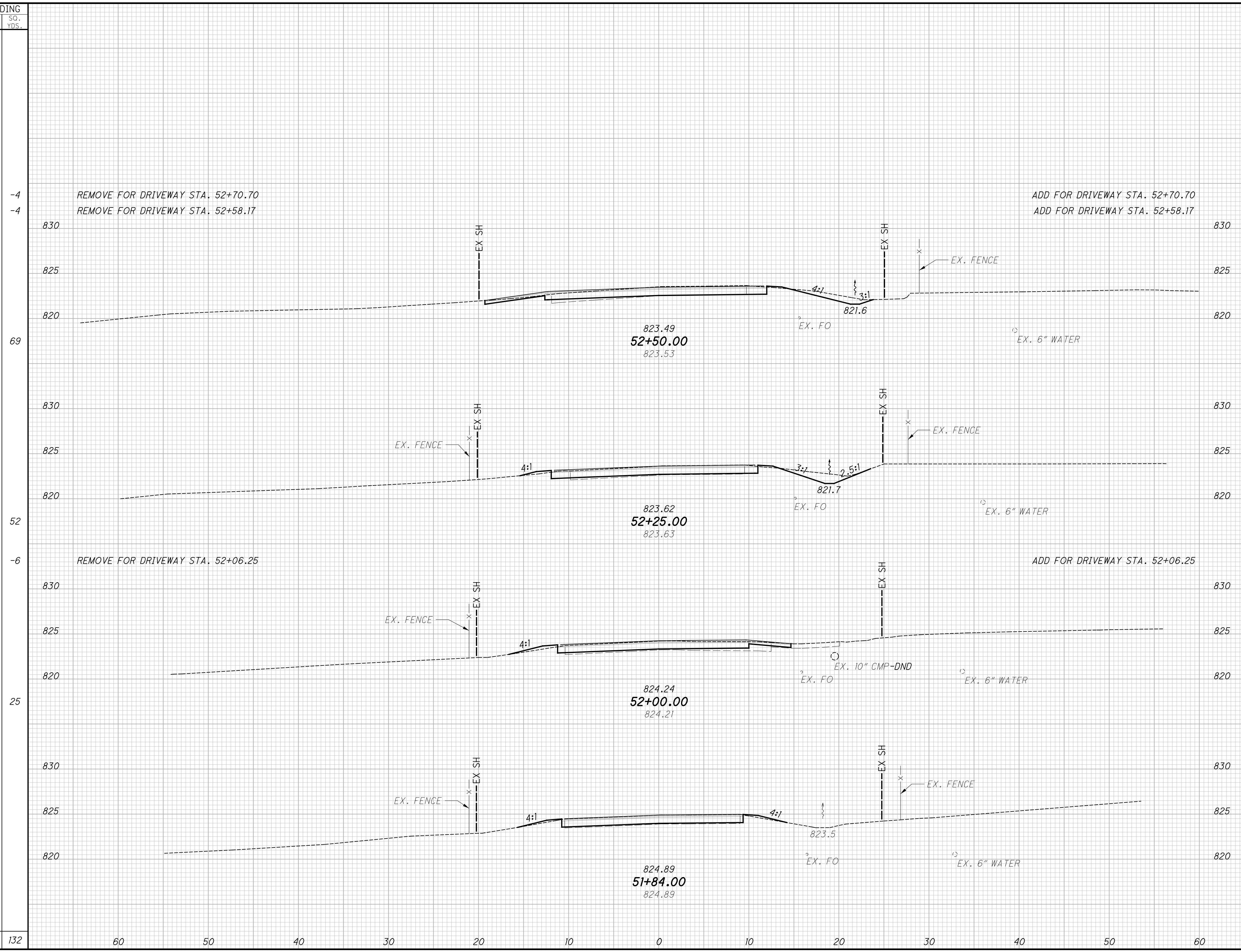






F:\37\37028\3702800\04\_CAD\TRANS\370280\_WAR-EDWARDSVILL\Design\Roadway\Sheets\370280\_XS001.dgn XS\_SHEET\_temporary\_model\_name\_2 4/27/2020 2:26:37 PM ATStumbo

SEEDING	
END WIDTH	SO. YDS.
60	132
50	
40	
30	
20	
10	
0	
10	
20	
30	
40	
50	
60	



END AREA	VOLUME	CALCULATED	
		CUT	FILL
		2	0
		1	0
25	2		
		23	1
25	1		
		19	1
		1	0
17	1		
		10	1
18	1		
		56	3

**CROSS SECTIONS**  
**STA. 51+84.00 TO STA. 52+50.00**  
**WAR-C.R. 196-1.01**

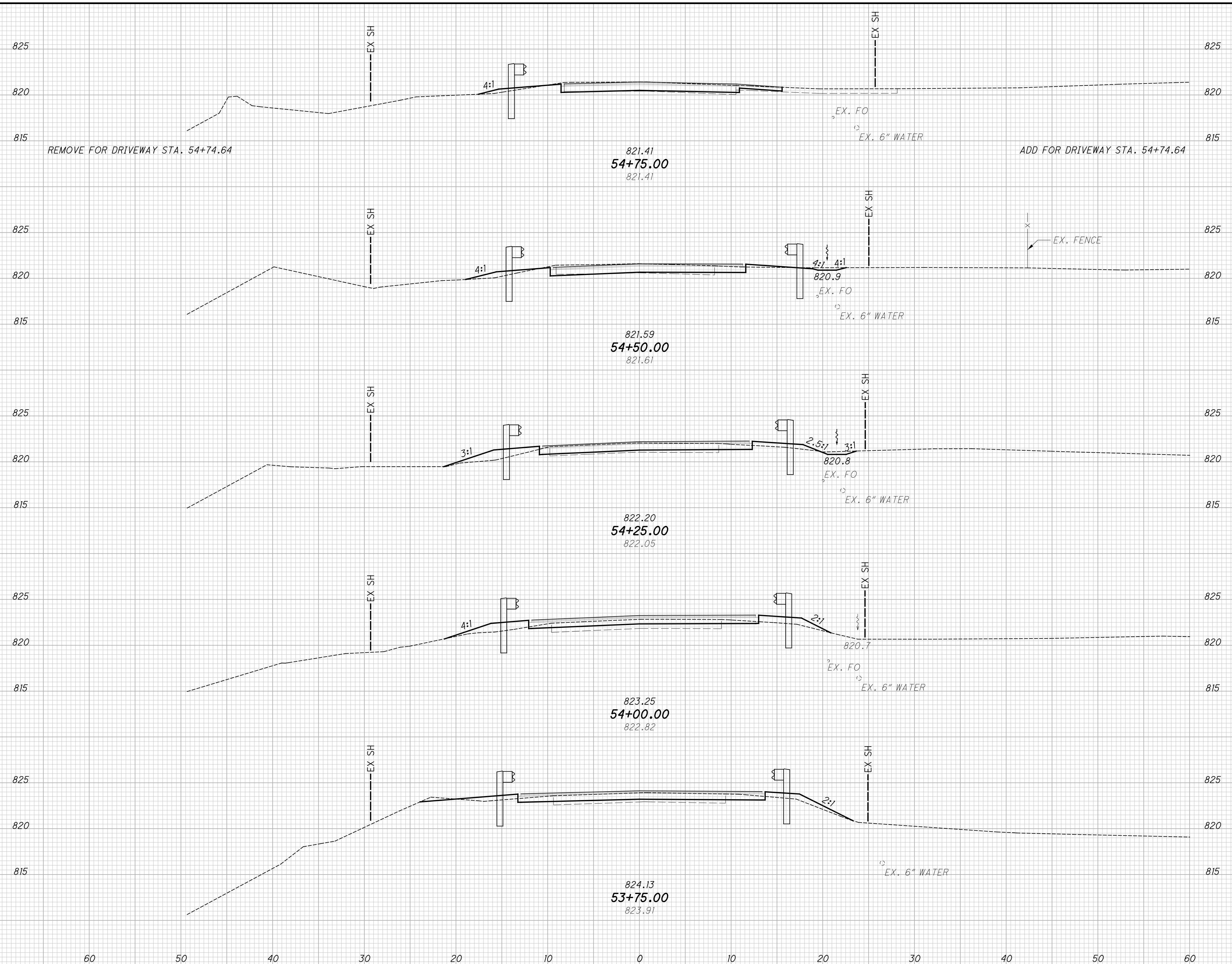
10  
26





F:\37\37028\3702800\04\_CAD\TRANS\370280\_WAR-EDWARDSVILLE\Design\Roadway\Sheets\370280\_XS001.dgn XS\_SHEET\_Temporary\_model\_name\_4 4/27/2020 2:26:41PM AT5+Jumbo

SEEDING	END AREA		VOLUME		CALCULATED	CHECKED	VAG
	CUT	FILL	CUT	FILL			
17	18	2	2	0			
25	20	3	18	6			
27	18	9	13	9			
23	11	10	13	8			
26	18	7	20	6			
316			84	31			

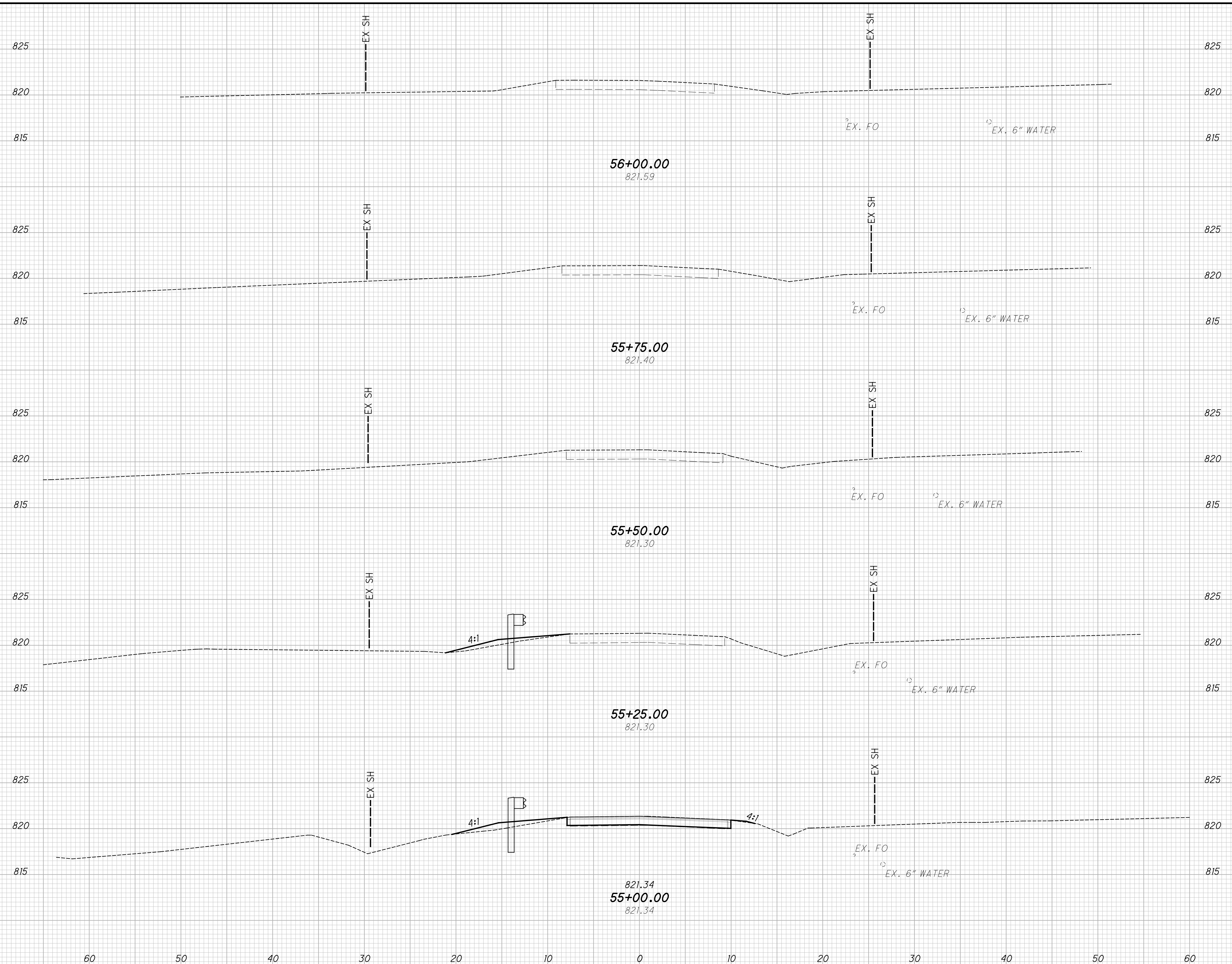


**CROSS SECTIONS**  
**STA. 53+75.00 TO STA. 54+75.00**  
**WAR-C.R. 196-1.01**

12  
26

F:\37\37028\3702800\04\_CAD\TRANS\370280\_WAR-EDWARDSVILL\Design\Roadway\Sheets\370280\_XS001.dgn XS\_SHEET\_Temporary\_model\_name\_5 4/27/2020 2:26:44 PM ATStumbo

SEEDING	
END WIDTH	SO. YDS.
108	53
20	55
18	55



END AREA	VOLUME	CALCULATED	CHECKED	VAG
17	5	16	3	24
0	4	8	4	24

**CROSS SECTIONS**  
**STA. 54+77.00 TO STA. 55+50.00**  
**WAR-C.R. 196-1.01**  
 13  
 26



**SUPERELEVATION TABLE**

P.I. STATION 52+27.13

Dc = 10°25'03"

LEFT SIDE					CENTERLINE CONTROL		RIGHT SIDE					REMARKS
EDGE ELEVATION	TRANSITION RATE	ELEVATION CORRECTION	CROSS SLOPE	WIDTH	STATION	PROFILE GRADE	WIDTH	CROSS SLOPE	ELEVATION CORRECTION	TRANSITION RATE	EDGE ELEVATION	
824.49	772:1	-0.40	-0.0382#	10.45	51+84.00	824.89	9.01	0.0098#	0.09	995:1	824.98	
823.82		-0.42	-0.0386	10.91	52+00.00	824.24	9.65	0.0108	0.10		824.34	
823.39		-0.44	-0.0390	11.30	52+13.99	823.84	10.21	0.0116	0.12		823.95	F.S.
823.17	138:1	-0.45	-0.0390	11.62	52+25.00	823.62	10.65	0.0116	0.12	135:1	823.75	
823.00		-0.48	-0.0390	12.32	52+50.00	823.49	11.64	0.0116	0.14		823.62	
823.09		-0.49	-0.0390	12.65	52+61.48	823.58	12.10	0.0116	0.14		823.72	F.S.
823.43		-0.40	-0.0308	13.03	52+75.00	823.83	12.64	0.0040	0.05		823.88	
824.24		-0.21	-0.0156	13.74	53+00.00	824.45	13.64	-0.0100	-0.14		824.31	
824.34		-0.22	-0.0156	13.92	53+06.30	824.56	13.89	-0.0136	-0.19		824.37	P.T.
824.39		-0.22	-0.0156	14.00	53+09.91	824.61	14.00	-0.0156	-0.22		824.39	
					# EXISTING CROSS SLOPE							

\*NEGATIVE CORRECTIONS MEANING BELOW PROFILE GRADE  
 POSITIVE CORRECTIONS MEANING ABOVE PROFILE GRADE

**SUPERELEVATION TABLE**

P.I. STATION 54+16.97

Dc = 22°55'06"

LEFT SIDE					CENTERLINE CONTROL		RIGHT SIDE					REMARKS
EDGE ELEVATION	TRANSITION RATE	ELEVATION CORRECTION	CROSS SLOPE	WIDTH	STATION	PROFILE GRADE	WIDTH	CROSS SLOPE	ELEVATION CORRECTION	TRANSITION RATE	EDGE ELEVATION	
824.39	135:1	-0.22	-0.0156	14.00	53+51.41	824.61	14.00	-0.0156	-0.22	185:1	824.39	
824.25		-0.21	-0.0156	13.60	53+60.68	824.46	13.76	-0.0119	-0.16		824.30	P.C.
823.80		-0.33	-0.0257	12.93	53+75.00	824.13	13.36	-0.0063	-0.08		824.05	
822.74	160:1	-0.51	-0.0432	11.76	54+00.00	823.25	12.66	0.0036	0.05	135:1	823.29	
822.56		-0.53	-0.0457	11.59	54+03.55	823.09	12.56	0.0050	0.06		823.15	F.S.
821.72		-0.48	-0.0457	10.58	54+25.00	822.20	11.95	0.0050	0.06		822.26	
821.30		-0.45	-0.0457	9.83	54+41.08	821.75	11.50	0.0050	0.06		821.81	F.S.
821.21		-0.38	-0.0404	9.41	54+50.00	821.59	11.25	-0.0017	-0.02		821.57	
821.19		-0.23	-0.0276	8.40	54+71.42	821.42	10.65	-0.0178	-0.19		821.23	P.T.
821.20		-0.21	-0.0255	8.23	54+75.00	821.41	10.55	-0.0205	-0.22		821.20	
821.26		-0.08	-0.0106#	7.55	55+00.00	821.34	9.64	-0.0393#	-0.38	820.97		
					# EXISTING CROSS SLOPE							

\*NEGATIVE CORRECTIONS MEANING BELOW PROFILE GRADE  
 POSITIVE CORRECTIONS MEANING ABOVE PROFILE GRADE

F:\37\37028\3702800\04\_CAD\TRNS\370280\_WAR-EDWARDSVILLE\Design\Roadway\Sheets\370280\_CE001.dgn Sheet 4/21/2020 2:26:47 PM ATStumbo

CALCULATED	ATS	CHECKED	VAG
SUPERELEVATION TABLE			
WAR - C.R. 196 - 1.01			
14			
26			

**LEGEND**

 PROPOSED DRIVE PAVEMENT (SEE BUILD UP BELOW)

**RESIDENTIAL DRIVES**

**ASPHALT DRIVES**

- 441 - 1 1/2" ASPHALT CONCRETE SURFACE COURSE, TYPE 1, (448), (DRIVEWAYS)
- 407 - TACK COAT
- 301 - 3 1/2" ASPHALT CONCRETE BASE, PG64-22

**FIELD DRIVES**

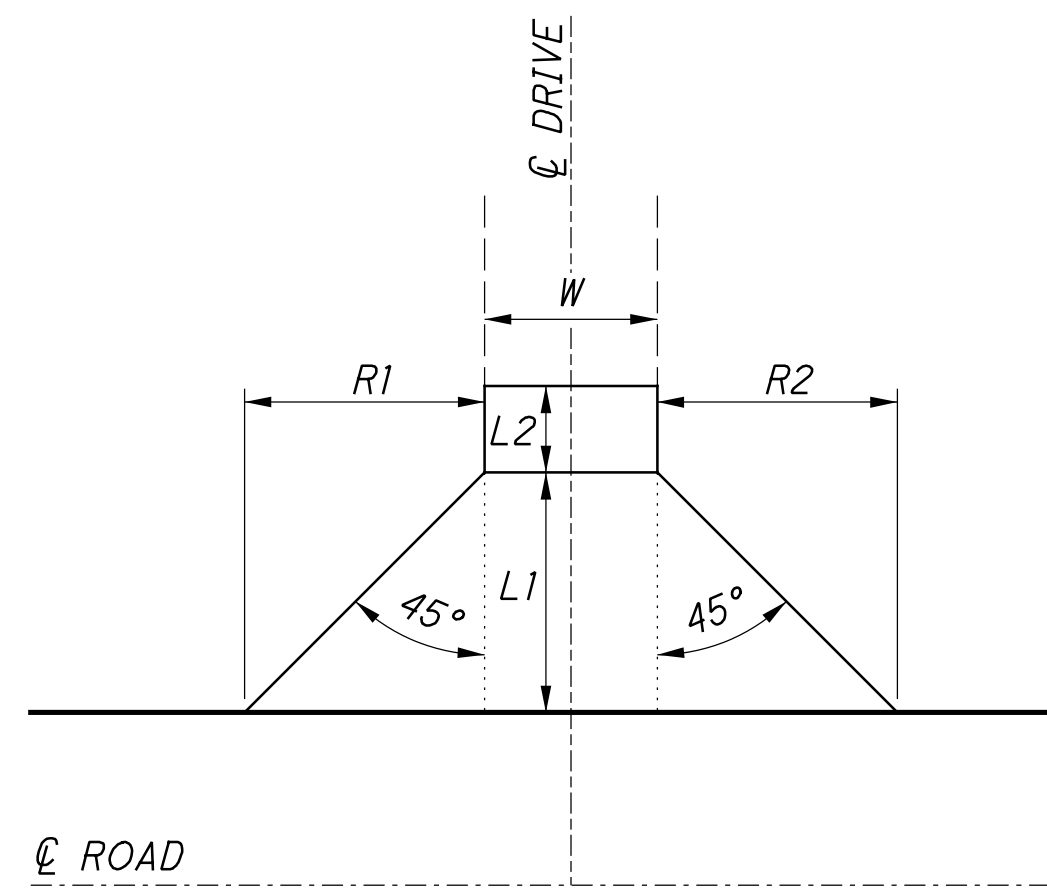
**AGGREGATE DRIVES**

- 304 - 8" AGGREGATE BASE

**NOTE FOR SAWCUTS:**

CONTRACTOR SHALL SAW CUT A NEAT LINE WHERE PROPOSED DRIVE MEETS THE EXISTING DRIVE. TYPICAL OF ALL FULL DEPTH REPLACEMENT DRIVES.

DRIVEWAY PLAN VIEW (TYPICAL)

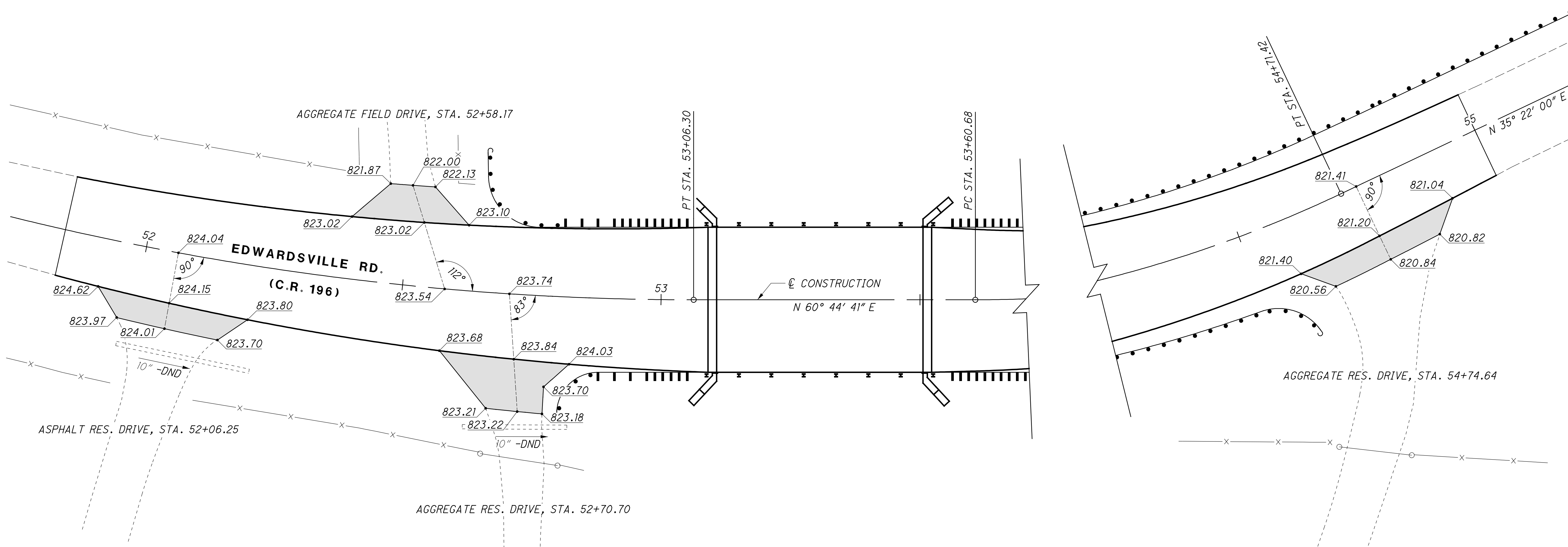


STATION	SIDE	DRIVE TYPE	DRIVE ANGLE	APRON LENGTH "L1"	DRIVEWAY LENGTH "L2"	WIDTH "W"	R1 (LEFT SIDE RADIUS OF DRIVE LOOKING FROM CL)	R2 (RIGHT SIDE RADIUS OF DRIVE LOOKING FROM CL)	CADD GENERATED SURFACE AREA	204	301	304	407	441
										SQ. YD.	CU. YD.	CU. YD.	GAL.	CU. YD.
52+06.25	RT.	RES.	90	5	0	20.0	5.05	4.67	124	14	1		1	1
52+58.17	LT.	FIELD	112	7.5	0	8.6	6.74	7.15	110	12		3		
52+70.70	RT.	RES.	83	5	5	10.9	4.70	9.71	168	19	2		1	1
54+74.64	RT.	RES.	90	5	0	22.5	5.20	5.19	138	15	2		1	1
<b>TOTALS CARRIED TO GENERAL SUMMARY</b>										61	5	3	3	3

CALCULATED  
ATS  
CHECKED  
VAG

HORIZONTAL SCALE IN FEET

F:\37\37028\3702800\04\_CAD\TRNS\370280\_WAR-EDWARDSVILLE\Design\Roadway\Sheets\370280\_CD001.dgn Sheet 4/21/2020 2:26:48 PM ATStumbo



**DRIVE DETAILS**

**WAR - C.R. 196 - 1.01**

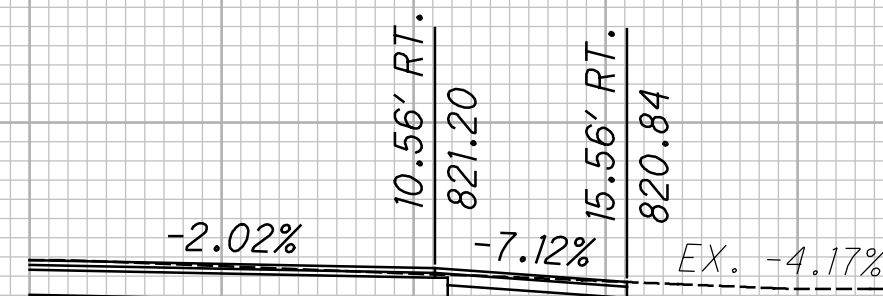


F:\37\37028\3702800\04\_CAD\TRANS\370280\_WAR-EDWARDSVILLE\Design\Roadway\Sheets\370280\_GD002.dgn Sheet 4/27/2020 2:26:49 PM ATStumbo

830  
825  
820  
815  
830  
825  
820  
815  
830  
825  
820  
815  
830  
825  
820  
815  
830  
825  
820  
815

830  
825  
820  
815  
830  
825  
820  
815  
830  
825  
820  
815  
830  
825  
820  
815

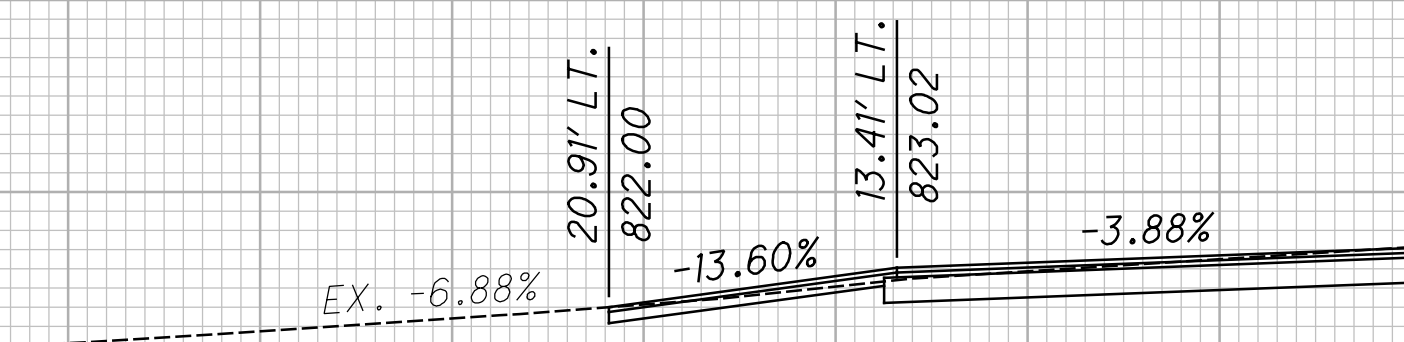
821.41  
AGG. RES. DR., STA. 54+74.64, RT.  
821.41



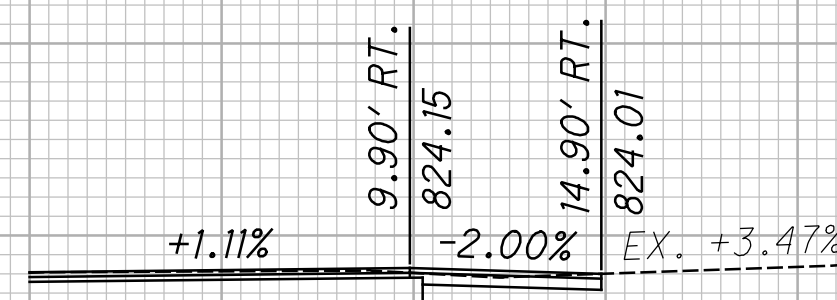
823.74  
AGG. RES. DR., STA. 52+70.70, RT. (SKEWED)  
823.71



823.54  
AGG. FIELD DR., STA. 52+58.17, LT. (SKEWED)  
823.56



824.04  
ASPHALT RES. DR., STA. 52+06.25, RT.  
824.03



70 60 50 40 30 20 10 0 10 20 30 40 50 60 70

CALCULATED	ATS
	CHECKED
	VAG

**DRIVE PROFILES**

**WAR-C.R. 196-1.01**

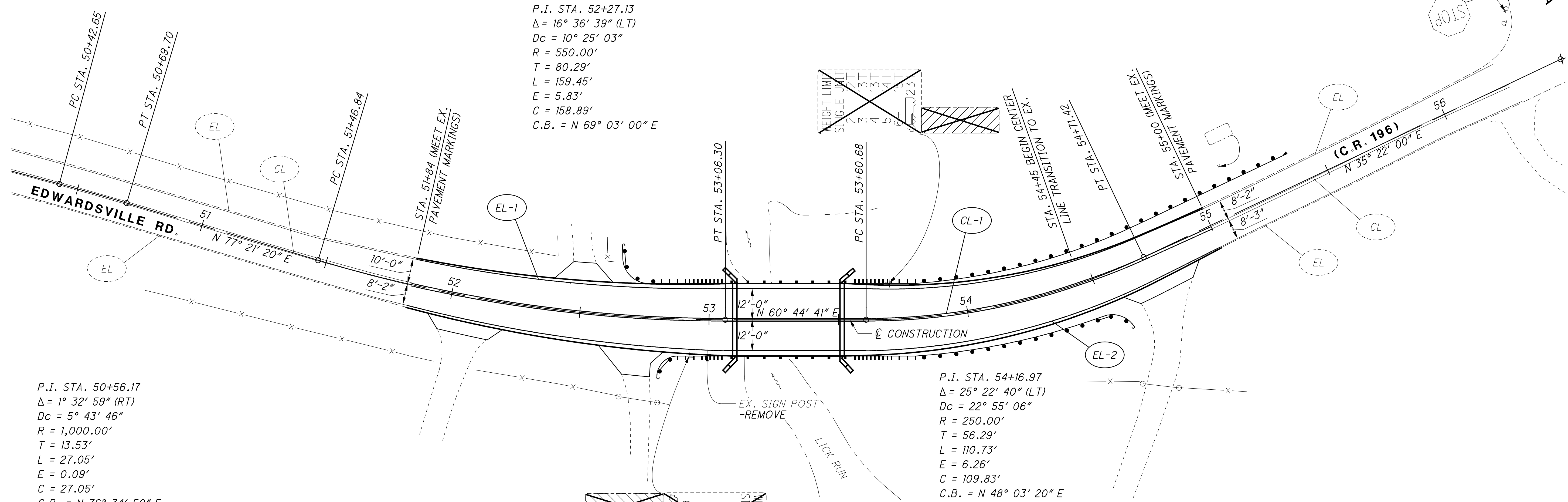
16  
26

**PAVEMENT MARKING LEGEND**

- CL - ITEM 644, CENTER LINE, 4" YELLOW (DOUBLE SOLID)
- EL - ITEM 644, EDGE LINE, 4" WHITE
- CL - EX. CENTER LINE, 4" YELLOW (DOUBLE SOLID)
- EL - EX. EDGE LINE, 4" WHITE

CALCULATED  
ATS  
CHECKED  
VAG

F:\37\37028\3702800\04\_CAD\TRNS\370280\_WAR-EDWARDSVILL\Design\Traffic\Sheets\370280.TPO01.dgn Sheet 4/27/2020 2:26:50 PM ATStumbo



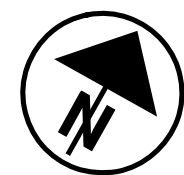
TRAFFIC CONTROL QUANTITIES TABLE

REF. NO.	SHEET NO.	STATION	SIDE	644	644	630	630
				CENTER LINE (DOUBLE SOLID)	EDGE LINE, 4"	REMOVAL OF GROUND MOUNTED SIGN AND STORAGE, AS PER PLAN	REMOVAL OF GROUND MOUNTED POST SUPPORT AND DISPOSAL
		FROM	TO	MILE	MILE	EACH	EACH
CL-1	17	51+84.00	55+00.00	0.06			
EL-1	17	51+84.00	55+00.00		0.06		
EL-2	17	51+84.00	55+00.00		0.06		
	17		52+93.00			2	
	17		53+70.00			2	
	17		52+99.00				1
<b>TOTALS CARRIED TO GENERAL SUMMARY</b>				<b>0.06</b>	<b>0.12</b>	<b>4</b>	<b>1</b>

**WAR - C.R. 196 - 1.01**

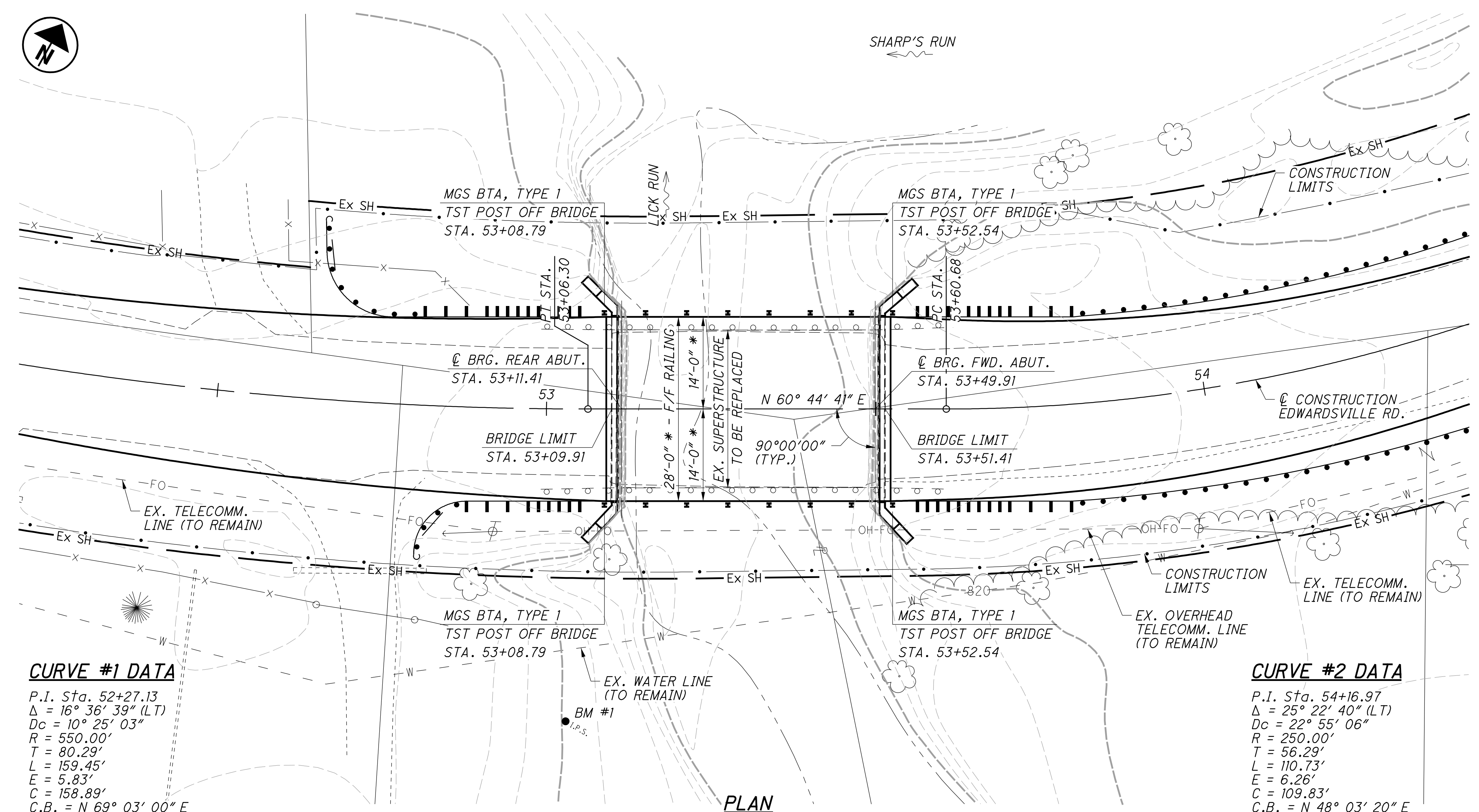
**TRAFFIC CONTROL PLAN**

**STA. 50+23.53 TO STA. 56+49.60**



SHARP'S RUN

LICK RUN



**CURVE #1 DATA**

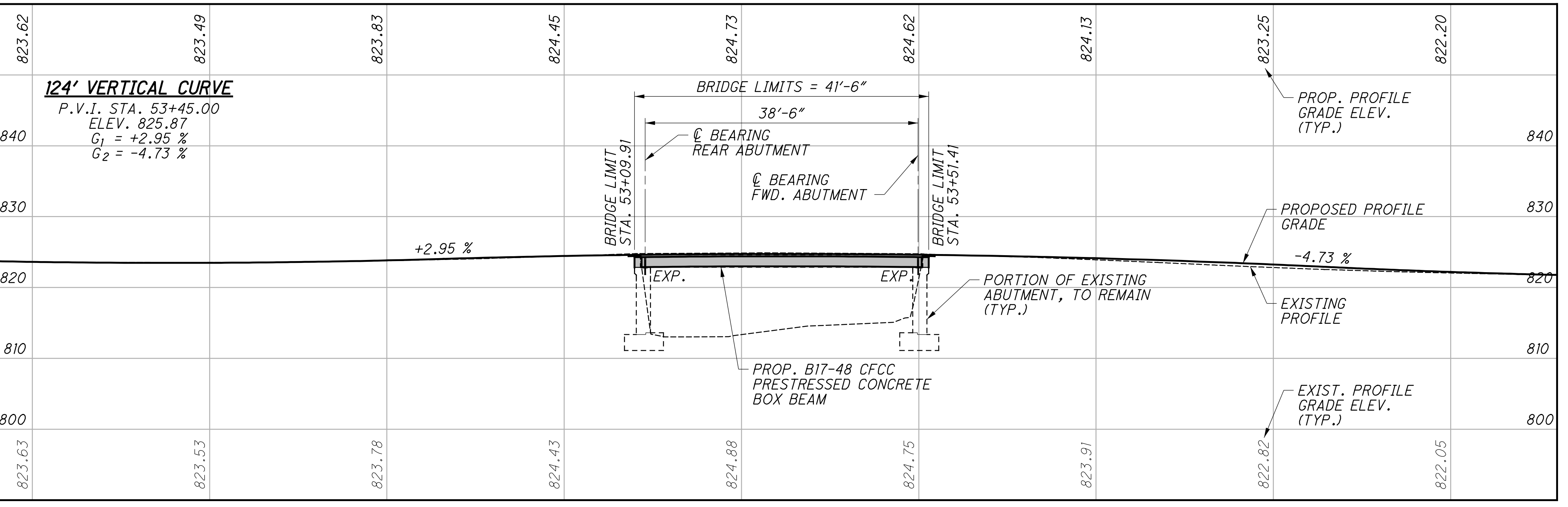
P.I. Sta. 52+27.13  
Δ = 16° 36' 39" (LT)  
Dc = 10° 25' 03"  
R = 550.00'  
T = 80.29'  
L = 159.45'  
E = 5.83'  
C = 158.89'  
C.B. = N 69° 03' 00" E

**CURVE #2 DATA**

P.I. Sta. 54+16.97  
Δ = 25° 22' 40" (LT)  
Dc = 22° 55' 06"  
R = 250.00'  
T = 56.29'  
L = 110.73'  
E = 6.26'  
C = 109.83'  
C.B. = N 48° 03' 20" E

**PLAN**

\* - PLUS FIT-UP



PROFILE ALONG C CONSTRUCTION EDWARDSVILLE RD.

**BENCHMARK DATA**

BM #1 STA. 53+03.17, ELEV. 820.11, OFFSET 47.44' RT., IP SET  
BM #2 STA. 56+08.81, ELEV. 820.45, OFFSET 18.90' LT., IP SET

FOR ADDITIONAL BENCHMARK INFORMATION. SEE ROADWAY PLAN SHEET  $\frac{8}{26}$

**NOTES**

- 1. EARTHWORK LIMITS SHOWN ARE APPROXIMATE. ACTUAL SLOPES SHALL CONFORM TO PLAN CROSS SECTIONS.
- 2. REFER TO ROADWAY SHEETS FOR PAYMENT OF TERMINAL ASSEMBLIES.
- 3. R/W IN LICK RUN SHOWN PER COUNTY ENGINEER. NO DOCUMENT FOUND OF RECORD IN COUNTY RECORDER'S OFFICE.

**PROPOSED WORK**

- 1. REMOVE EXISTING WEARING SURFACE.
- 2. REMOVE EXISTING BEAMS.
- 3. REMOVE PORTIONS OF EXISTING ABUTMENTS.
- 4. PLACE NEW CFCC PRESTRESSED CONCRETE BOX BEAMS. POUR DIAPHRAGM.
- 5. PLACE NEW ASPHALT CONCRETE OVERLAY AND GUARDRAIL.
- 6. SEAL ALL EXPOSED CONCRETE SURFACES USING EPOXY-URETHANE SEALER.

**EXISTING STRUCTURE**

TYPE: SINGLE SPAN NON-COMPOSITE CONCRETE BOX BEAM ON WALL TYPE ABUTMENTS  
SPAN: 38'-8"± C/C BEARINGS  
ROADWAY: 24'-0"± F/F RAILING  
LOADING: HS20-44  
SKEW: NONE  
WEARING SURFACE: 2"± BITUMINOUS ASPHALT  
APPROACH SLABS: NONE  
ALIGNMENT: TANGENT  
CROWN:  $\frac{3}{16}$ "/FT.±  
STRUCTURAL FILE NUMBER: 8333556  
DATE BUILT: 1974  
DISPOSITION: SUPERSTRUCTURE TO BE REPLACED

**PROPOSED STRUCTURE**

PROPOSED WORK: REPLACE SUPERSTRUCTURE, MODIFY ABUTMENTS TO SEMI-INTEGRAL  
TYPE: SINGLE SPAN PRESTRESSED CONCRETE NON-COMPOSITE BOX BEAMS WITH CFCC STRANDS ON EXISTING ABUTMENTS  
SPAN: 38'-6" C/C BEARINGS  
ROADWAY: 28'-0" F/F RAILING  
LOADING: HL-93 (SUPERSTRUCTURE); HS20-44 (SUBSTRUCTURE)  
SKEW: NONE  
WEARING SURFACE: 3" BITUMINOUS ASPHALT  
APPROACH SLABS: NONE  
ALIGNMENT: TANGENT  
CROWN:  $\frac{3}{16}$ "/FT.  
FUTURE WEARING SURFACE: 60 PSF  
COORDINATES: LATITUDE 39°19'32.72" N  
LONGITUDE 84°02'41.83" W  
DECK AREA: 1,106 SF

F:\37\37028\3702800\04\_CAD\TRNS\370280\_WAR-EDWARDSVILLE\Design\Structures\WAR196\_1010C\_Sheets\WAR196\_1010C.dgn Sheet 4/20/2020 3:11:02 PM MNWetz



F:\37\37028\3702800\04\_CAD\TRNS\370280\_WAR-EDWARDSVILLE\Design\Structures\WAR196\_1010C\_Sheets\WAR196\_1010C\_Sheets\WAR196\_1010C\_SNO01.dgn\_Sheet\_4/20/2020 3:11:06 PM MNMetz

**GENERAL NOTES**

**STANDARD BRIDGE DRAWINGS AND SUPPLEMENTAL SPECIFICATIONS:**

REFER TO THE FOLLOWING STANDARD BRIDGE DRAWINGS:  
DS-1-92 REVISED 7-18-03  
PSBD-2-07 REVISED 7-20-18  
TST-1-99 REVISED 7-20-18

**AND TO THE FOLLOWING SUPPLEMENTAL SPECIFICATIONS**

800 DATED 10-18-19  
843 DATED 10-18-19  
846 DATED 4-17-15

**DESIGN SPECIFICATIONS**

THIS STRUCTURE CONFORMS TO THE "LRFD BRIDGE DESIGN SPECIFICATIONS" ADOPTED BY THE AMERICAN ASSOCIATION OF STATE HIGHWAY AND TRANSPORTATION OFFICIALS, 8th EDITION AND THE ODOT BRIDGE DESIGN MANUAL, 2019, DATED 7-19-19.

**OPERATIONAL IMPORTANCE**

A LOAD MODIFIER OF 1.0 HAS BEEN ASSUMED FOR THE DESIGN OF THIS SUPERSTRUCTURE IN ACCORDANCE WITH THE AASHTO LRFD BRIDGE DESIGN SPECIFICATIONS, ARTICLE 1.3.5 AND THE ODOT BRIDGE DESIGN MANUAL, 2019.

**DESIGN LOADING**

HL-93 (SUPERSTRUCTURE)  
HS20-44 (EXISTING SUBSTRUCTURE)  
FUTURE WEARING SURFACE (FWS) OF 0.060 KIPS/FT²

**DESIGN DATA**

STAINLESS STEEL REINFORCING (BEAMS AND END DIAPHRAGMS):  
ASTM A276 UNS 32304 (DUPLX 2304), GRADE 75  
MINIMUM YIELD STRENGTH 75 KSI

**CONCRETE FOR PRESTRESSED BEAMS:**

COMPRESSIVE STRENGTH (FINAL) - 5.5 KSI  
COMPRESSIVE STRENGTH (RELEASE) - 5.0 KSI

**PRESTRESSING STRAND FOR PRESTRESSED BEAMS:**

CARBON FIBER COMPOSITE CABLE - CFCC 1X7 15.2mm φ  
0.6" DIAMETER, AREA = 0.179 IN²  
ULTIMATE STRENGTH = 339.1 KSI  
INITIAL PRESTRESS STRESS = 203.5 KSI  
TOTAL PRESTRESS LOSSES = 19.11%

CONCRETE CLASS QC2 - COMPRESSIVE STRENGTH 4.5 KSI (SUPERSTRUCTURE)

**DECK PROTECTION METHOD**

WATERPROOFING AND ASPHALT CONCRETE OVERLAY  
STAINLESS STEEL DRIP STRIP

**MAINTENANCE OF TRAFFIC**

SEE ROADWAY PLANS FOR ADDITIONAL MAINTENANCE OF TRAFFIC NOTES AND DETAILS.

**PLANS OF EXISTING BRIDGE**

CONSTRUCTION PLANS FOR THE EXISTING BRIDGE ARE AVAILABLE FOR REFERENCE BY CONTACTING THE WARREN COUNTY ENGINEER'S OFFICE.

**EXISTING STRUCTURE VERIFICATION**

DETAILS AND DIMENSIONS SHOWN ON THESE PLANS PERTAINING TO THE EXISTING STRUCTURE HAVE BEEN OBTAINED FROM PLANS OF THE EXISTING STRUCTURE AND FROM FIELD OBSERVATIONS AND MEASUREMENTS. CONSEQUENTLY, THEY ARE INDICATIVE OF THE EXISTING STRUCTURE AND THE PROPOSED WORK BUT THEY SHALL BE CONSIDERED TENTATIVE AND APPROXIMATE. THE CONTRACTOR IS REFERRED TO C&MS SECTIONS 102.05 AND 105.02. BASE CONTRACT BID PRICES UPON A RECOGNITION OF THE UNCERTAINTIES DESCRIBED ABOVE AND UPON A PREBID EXAMINATION OF THE EXISTING STRUCTURE. HOWEVER, THE ENGINEER'S OFFICE WILL PAY FOR ALL PROJECT WORK BASED UPON ACTUAL DETAILS AND DIMENSIONS THAT HAVE BEEN VERIFIED IN THE FIELD.

**STAINLESS STEEL REINFORCING MATERIAL, SHIPPING, HANDLING AND STORAGE**

STAINLESS STEEL REBAR CONFORMING TO ASTM A276 UNS 32304 (DUPLX 2304), GRADE 75 SHALL BE USED IN THE PRESTRESSED CONCRETE BOX BEAM AND END DIAPHRAGM. THE STAINLESS STEEL REBARS SHALL ALSO CONFORM TO THE PHYSICAL SPECIFICATIONS OF ASTM A955.

THE PUBLICATION "STAINLESS STEEL REBAR GUIDELINES FOR SHIPPING, HANDLING, FABRICATION, AND PLACEMENT" BY SPECIALTY STEEL INDUSTRY OF NORTH AMERICA (SSINA) SHALL BE FOLLOWED ALONG WITH THE FOLLOWING:

CARE IS REQUIRED DURING SHIPPING, HANDLING AND PLACEMENT OF STAINLESS STEEL REBAR. STAINLESS STEEL REBARS SHALL BE PROTECTED FROM DIRECT CONTACT WITH CHLORIDES (DE-ICING SALT, CALCIUM CHLORIDE, SEAWATER, ETC.) PRIOR TO EMBEDMENT IN CONCRETE. STAINLESS STEEL REBARS SHALL NOT MAKE DIRECT CONTACT WITH CARBON STEEL REBARS OR OTHER CARBON STEEL COMPONENTS IN THE STRUCTURE.

STAINLESS STEEL REBARS SHALL NOT BE HANDLED WITH CARBON STEEL TOOLS, CHAINS, SLINGS, ETC. USE NYLON OR POLYPROPYLENE SLINGS WHEN HANDLING STAINLESS STEEL REBARS. FORK-LIFT TRUCKS USED TO MOVE STAINLESS STEEL REBAR SHALL HAVE THEIR FORKS COVERED WITH STAINLESS STEEL OR NON-CARBON STEEL MATERIAL TO PREVENT SCRATCHING AND CONTAMINATION.

ALL HAND TOOLS, MECHANIZED TOOLS AND HANDLING DEVICES (SUCH AS ROLLERS, SHEARS, ETC.) SHALL BE STAINLESS STEEL OR CARBON STEEL WITH A MINIMUM HARDNESS OF ROCKWELL C35. THE HAND TOOLS SHALL NOT HAVE BEEN PREVIOUSLY USED ON CARBON STEEL. THE CARBON STEEL TOOLS MEETING THE MINIMUM HARDNESS SHALL BE WIPE CLEAN USING RAGS AND CLEANING AGENTS PRIOR TO BEING USED FOR STAINLESS STEEL REBARS. DO NOT USE GRINDING TOOLS OR ABRASIVE CUT-OFF DISCS THAT HAVE BEEN PREVIOUSLY USED ON CARBON STEEL. IF ANY IRON CONTAMINATION OCCURS, IT SHALL BE REMOVED USING PICKLING PASTE.

STAINLESS STEEL REBARS SHALL NOT BE HOT BENT OR HEAT STRAIGHTENED. CMS 509.05 SHALL BE FOLLOWED FOR BENDING. TO BEND STAINLESS STEEL REBARS, MORE FORCE MAY NEED TO BE APPLIED. STAINLESS STEEL REBARS TEND TO HAVE MORE "SPRING" THAN CARBON STEEL REBARS AND MAY NEED TO BE OVERBENT TO COMPENSATE FOR "SPRING-BACK". BENT BARS SHALL BE SPOT CHECKED ONE HOUR AFTER FABRICATION TO VERIFY DIMENSION AND NO "SPRING-BACK" HAS OCCURRED.

PRIOR TO SHIPPING, ALL CHAINS AND STEEL BANDS SHALL NOT COME INTO DIRECT CONTACT WITH THE STAINLESS STEEL REBARS. THE STAINLESS STEEL REBARS SHALL BE SECURED USING NYLON OR POLYPROPYLENE STRAPS. THE STAINLESS STEEL REBARS SHALL BE LOADED ON TOP OF CARBON STEEL IF BUNDLES OF CARBON STEEL AND STAINLESS STEEL REBARS MUST BE SHIPPED TOGETHER. THIS SHALL BE AVOIDED WHEN POSSIBLE. WOODEN SPACERS MUST BE USED TO SEPARATE THE TWO MATERIALS IF SHIPPED TOGETHER.

STAINLESS STEEL REBARS SHALL BE TARPED DURING SHIPPING USING A NEW OR DEDICATED STAINLESS STEEL TARP. PLASTIC SHRINK OR STRETCH WRAP SHALL BE USED TO COVER BUNDLES OF STAINLESS STEEL REBARS.

STAINLESS STEEL REBARS SHALL BE STORED OFF THE GROUND ON WOODEN SUPPORTS. STAINLESS STEEL REBARS CAN BE STORED OUTSIDE BUT COVERED WITH TARPULINS. TO MINIMIZE THE CHANCES OF LOSS OR THEFT OF THE STAINLESS STEEL REBARS AT THE SITE, PROVISIONS SHALL BE MADE, SUCH AS LOCKED STORAGE. STAINLESS STEEL AND CARBON STEEL REBARS SHALL BE STORED SEPARATELY.

**CARBON FIBER COMPOSITE CABLE (CFCC) MATERIAL, SHIPPING, HANDLING AND STORAGE**

THE FABRICATOR SHALL PURCHASE THE CARBON FIBER COMPOSITE CABLE (CFCC) 1X7 15.2mm φ DIRECTLY FROM TOKYO ROPE AND INSTALL AS DETAILED ON THE PLANS AND PER RECOMMENDATIONS FROM THE MANUFACTURER AND THE ENGINEER. THE FABRICATOR SHALL COORDINATE CFCC LENGTHS WITH TOKYO ROPE BASED ON INFORMATION IN THE PLANS.

TOKYO ROPE USA, INC.  
8301 RONDA DRIVE  
CANTON, MI 48187  
734-335-6037

MATERIALS SHIPPED IN COIL FORM SHALL BE STORED IN SUCH A WAY THAT HARMFUL KINKS DO NOT DEVELOP WHEN COIL IS UNWOUND. BEFORE UNCOILING AND DRAGGING CFCC, SPREAD A VINYL SHEET UNDERNEATH TO AVOID SCRATCHES. ANY CFCC FOUND TO BE DAMAGED ON THE SURFACE, BENT, SUBJECTED TO HIGH TEMPERATURES OR STORED IN THE ELEMENTS SHALL BE DISCARDED.

THE FABRICATOR SHALL NOT WALK ON OR APPLY ANY SUPERIMPOSED DEAD OR LIVE LOAD ONTO THE CFCC. CARE SHALL BE TAKEN NOT TO CHIP THE CFCC WITH A HARD EDGE OR ANY FALLING OBJECT.

SCORING OF CFCC, FOR ANY REASON, SHALL NOT BE PERMITTED. CUTTING OF CFCC SHALL BE PERFORMED BY THE USE OF A HIGH-SPEED ROTARY GRINDER, WHICH SHALL NOT DAMAGE THE CFCC. HEAT ORIENTED METHODS, SUCH AS GAS WELDING TORCHES, SHALL BE STRICTLY FORBIDDEN. HEATING OF CFCC REINFORCEMENT IN ANY MANNER IS DANGEROUS. WORKERS SHOULD WEAR PROPER AIR FILTERING DEVICE AND HANDLING GLOVES.

**BEARING PAD SHIMS**

PLACE 1/8" THICK PREFORMED BEARING PAD SHIMS, PLAN AREA 8 INCHES BY 10 INCHES, UNDER THE ELASTOMERIC BEARING PADS WHERE REQUIRED FOR PROPER BEARING. FURNISH TWO SHIMS PER BEAM. THE ENGINEER'S OFFICE WILL MEASURE THIS ITEM BY THE TOTAL NUMBER SUPPLIED. THE ENGINEER'S OFFICE WILL PAY FOR ACCEPTED QUANTITIES AT THE CONTRACT PRICE FOR ITEM 516 - 1/8" PREFORMED BEARING PAD. ANY UNUSED SHIMS SHALL BECOME THE PROPERTY OF THE COUNTY.

**ITEM 202, PORTIONS OF STRUCTURE REMOVED, OVER 20 FOOT SPAN, AS PER PLAN:**

THIS ITEM SHALL INCLUDE THE ELEMENTS INDICATED IN THE PLANS AND GENERAL NOTES AND THAT ARE NOT SEPARATELY LISTED FOR PAYMENT, EXCEPT FOR WEARING COURSE REMOVAL. ITEMS TO BE REMOVED INCLUDE ALL EXISTING MATERIALS BEING REPLACED BY NEW CONSTRUCTION AND MISCELLANEOUS ITEMS THAT ARE NOT SHOWN TO BE INCORPORATED INTO THE FINAL CONSTRUCTION AND ARE DIRECTED TO BE REMOVED BY THE ENGINEER. THE USE OF EXPLOSIVES, HEADACHE BALLS AND/OR HOE-RAMS WILL NOT BE PERMITTED. THE METHOD OF REMOVAL AND THE WEIGHT OF HAMMER SHALL BE APPROVED BY THE ENGINEER. PERFORM ALL WORK IN A MANNER THAT WILL NOT CUT, ELONGATE OR DAMAGE THE EXISTING REINFORCING STEEL TO BE PRESERVED. CHIPPING HAMMERS SHALL NOT BE HEAVIER THAN THE NOMINAL 90-POUND CLASS. PNEUMATIC HAMMERS SHALL NOT BE PLACED IN DIRECT CONTACT WITH REINFORCING STEEL THAT IS TO BE RETAINED IN THE REBUILT STRUCTURE. SUBMIT CONSTRUCTION PLANS ACCORDING TO C&MS 501.05.

CUT LINE CONSTRUCTION JOINT PREPARATION: SAW CUT BOUNDARIES OF PROPOSED CONCRETE REMOVALS 1 INCH DEEP. REMOVE CONCRETE TO A ROUGH SURFACE. LEAVE THE EXISTING REINFORCING STEEL, IF REQUIRED IN THE PLANS, IN PLACE. INSTALL DOWEL BARS IF SPECIFIED. PRIOR TO CONCRETE PLACEMENT ABRASIVELY CLEAN JOINT SURFACES AND EXISTING EXPOSED REINFORCEMENT TO REMOVE LOOSE AND DISINTEGRATED CONCRETE AND LOOSE RUST. THOROUGHLY CLEAN THE JOINT SURFACE AND EXPOSED REINFORCEMENT OF ALL DIRT, DUST, RUST OR OTHER FOREIGN MATERIAL BY THE USE OF WATER, AIR UNDER PRESSURE, OR OTHER METHODS THAT PRODUCE SATISFACTORY RESULTS. EXISTING REINFORCING STEEL DOES NOT HAVE TO HAVE A BRIGHT STEEL FINISH BUT REMOVE ALL PACK AND LOOSE RUST. THOROUGHLY DRENCH EXISTING CONCRETE SURFACES WITH CLEAN WATER AND ALLOW TO DRY TO A DAMP CONDITION BEFORE PLACING CONCRETE.

CLEANING WEEPHOLES: THOROUGHLY CLEAN THE EXISTING WEEPHOLES OF ALL DIRT, DUST OR OTHER FOREIGN MATERIALS WITH WATER, AIR UNDER PRESSURE OR ANY OTHER METHOD THAT PRODUCES SATISFACTORY RESULTS. INCLUDE WITH ITEM 202, PORTIONS OF STRUCTURE REMOVED, OVER 20 FOOT SPAN, AS PER PLAN.

SUBSTRUCTURE CONCRETE REMOVAL: REMOVE CONCRETE BY MEANS OF APPROVED PNEUMATIC HAMMERS EMPLOYING POINTED AND BLUNT CHISEL TOOLS. HYDRAULIC HOE-RAM TYPE HAMMERS WILL NOT BE PERMITTED. THE WEIGHT OF THE HAMMER SHALL NOT BE MORE THAN 35 POUNDS FOR REMOVAL WITHIN 18 INCHES OF PORTIONS TO BE PRESERVED. OUTSIDE THE 18 INCH LIMIT, THE CONTRACTOR MAY USE HAMMERS NOT EXCEEDING 90 POUNDS UPON APPROVAL OF THE ENGINEER. DO NOT PLACE PNEUMATIC HAMMERS IN DIRECT CONTACT WITH REINFORCING STEEL THAT IS TO BE RETAINED IN THE REBUILT STRUCTURE.

MEASUREMENT & PAYMENT: THE DEPARTMENT WILL MEASURE THE QUANTITY OF REMOVALS ON A LUMP SUM BASIS. THE DEPARTMENT WILL PAY FOR THE ACCEPTED QUANTITIES OF REMOVALS AT THE CONTRACT PRICE FOR ITEM 202 - PORTIONS OF STRUCTURE REMOVED, AS PER PLAN.

**ITEM 503, UNCLASSIFIED EXCAVATION, AS PER PLAN**

UNCLASSIFIED EXCAVATION SHALL BE IN ACCORDANCE WITH 503 EXCEPT THAT BACKFILL MATERIAL PLACED BEHIND THE ABUTMENTS SHALL BE 703.17 MATERIAL PLACED IN 6 INCH LIFTS AS PER 304.05.

**ITEM 509, REINFORCING STEEL, AS PER PLAN (STAINLESS STEEL REBAR)**

NO SUBSTITUTIONS WITH STANDARD EPOXY COATED REINFORCING STEEL SHALL BE ALLOWED. REINFORCING STEEL SIZE AND SPACING SHALL MATCH THAT SHOWN IN THE PLANS. IT IS THE INTENT TO EXTEND THE SERVICE LIFE OF THE STRUCTURE THROUGH THE USE OF CORROSION RESISTANT REINFORCING STEEL RATHER THEN RE-ENGINEER THE REINFORCING STEEL TO TAKE ADVANTAGE OF HIGHER STRENGTHS, REDUCED REBAR SIZE AND/OR SPACING. MAXIMUM REINFORCING STEEL ORDER LENGTH SHALL BE 40 FEET.

STAINLESS STEEL REBAR SHALL CONFORM TO ASTM A276 UNS 32304 (DUPLX 2304), GRADE 75. THE STAINLESS STEEL REBARS SHALL ALSO CONFORM TO THE PHYSICAL SPECIFICATIONS OF ASTM A955. SEE THE STAINLESS STEEL REINFORCING MATERIAL, SHIPPING, HANDLING AND STORAGE NOTE. FOLLOW CMS 509.04 FOR PLACING OF STAINLESS STEEL REBAR. STAINLESS STEEL REBAR SHALL BE SUPPORTED AND SPACED USING PLASTIC OR STAINLESS STEEL CHAIRS AND SPACERS. STAINLESS STEEL TIE-WIRE OR PLASTIC ZIP TIES SHALL BE USED. IF STAINLESS STEEL TIE-WIRE IS USED, IT SHALL HAVE THE SAME LEVEL OF CORROSION RESISTANCE AS THE STAINLESS STEEL REBAR.


THE STAINLESS STEEL REBAR SHALL MEET THE SPACING, LAP LENGTH, DEVELOPMENT LENGTHS, ETC. AS SPECIFIED IN C&MS SECTION 509.

UNLESS ITEMIZED SEPERATELY, ALL COSTS ASSOCIATED WITH EQUIPMENT, MATERIAL, LABOR AND ANY MISCELLANEOUS APPURTENCES FOR FURNISHING, INSTALLING AND SPLICING OF THE REBAR SHALL BE INCLUDED FOR PAYMENT UNDER ITEM 509 - REINFORCING STEEL, AS PER PLAN.

**ITEM 511, CLASS QC2 CONCRETE, SUPERSTRUCTURE, AS PER PLAN**

FURNISH MATERIAL MEETING THE REQUIREMENTS OF ASTM C578 TYPE IV. NEATLY CUT MATERIAL AS NECESSARY TO ALLOW FOR PROPER INSTALLATION. JOINTS AT ABUTTING PIECES SHALL BE SEALED WITH DUCT TAPE. ALLOWABLE TOLERANCE FOR THE TOTAL THICKNESS OF THE MATERIAL SHALL BE -0%, +1/2". DO NOT PLACE MORE THAN TWO LAYERS OF POLYSTYRENE TO ACHIEVE TOTAL THICKNESS.

ALL LABOR, MATERIAL AND INCIDENTAL COSTS THICKNESS WITH THE EXPANDED POLYSTYRENE FILLER SHALL BE INCLUDED WITH THIS ITEM FOR PAYMENT.

		DESIGN AGENCY	DATE
		REVIEWED	DATE
DRAWN	MM	KSM	JAN 20
DESIGNED	BMG	STRUCTURE FILE NUMBER	8333556
CHECKED	AMM	REVISED	
<b>GENERAL NOTES (1 OF 2)</b> BRIDGE NO. WAR-CO196-0101 EDWARDSVILLE ROAD (CO196) OVER LICK RUN			
<b>WAR-CO196-01.01</b> PID No. 108833			
2 / 9		19 26	

F:\37\37028\3702800\04\_CAD\TRNS\370280\_WAR-EDWARDSVILLE\Design\Structures\WAR196\_1010C\_Sheets\WAR196\_1010C\_Sheets\WAR196\_1010C\_Sheet.dgn Sheet 4/20/2020 3:11:07 PM MNMetz

**GENERAL NOTES (CONT.)**

**ITEM 515, PRESTRESSED CONCRETE NON-COMPOSITE BOX BEAM BRIDGE MEMBERS, LEVEL 1, B17-48, AS PER PLAN**

PROVIDE PRESTRESSED BOX BEAMS PER THE REQUIREMENTS OF CMS 515 EXCEPT AS MODIFIED BELOW.

BEAM B17-48 OF STANDARD DRAWING PSBD-2-07 IS MODIFIED AS PER THE DETAILS AND NOTES SHOWN IN THE PLANS. THE PRESTRESSING STRAND SHALL BE CARBON FIBER COMPOSITE CABLE (CFCC). SEE THE CARBON FIBER COMPOSITE CABLE (CFCC) MATERIAL, SHIPPING, HANDLING AND STORAGE NOTE FOR MORE INFORMATION. ALL MILD STEEL IN THE STANDARD DRAWING PSBD-2-07 SHALL BE STAINLESS STEEL CONFORMING TO ASTM A276 UNS 32304 (DUPLEX 2304), GRADE 75. THIS INCLUDES BUT IS NOT LIMITED TO REINFORCING STEEL, LIFTING INSERTS AND ANCHOR DOWEL BARS. SEE THE STAINLESS STEEL REINFORCING MATERIAL, SHIPPING, HANDLING AND STORAGE NOTE FOR MORE INFORMATION. NO EPOXY COATED STEEL SHALL BE CAST INTO THE BOX BEAMS.

PROVIDE SHOP DRAWINGS FOR BOX BEAMS AS PER CMS 515.06 EXCEPT AS MODIFIED BELOW. THE SHOP DRAWINGS SHALL DETAIL THE ARRANGMENTS OF THE STAGGERED STRAND COUPLERS, AT BOTH BEAM ENDS, TO BE USED FOR THE STRESSING OF THE CFCC AS PER RECOMMENDATIONS BY TOKYO ROPE. IN ADDITION THE SHOP DRAWINGS SHALL PROVIDE THE DEBONDING ARRANGMENT FOR THE CFCC. SHOP DRAWINGS SHALL SHOW THE INTERMEDIATE DIAPHRAGMS AND TRANSVERSE TIE RODS AND THE ANTICIPATED CAMBER AS DETERMINED BY THE FABRICATOR. SHOP DRAWINGS SHALL BE SUBMITTED TO THE ENGINEER FOR APPROVAL PRIOR TO THE FABRICATION AND CASTING OF ANY BEAMS.

THE TRANSVERSE TIE ROD DUCT IS TO BE POLYETHYLENE PLASTIC PIPE MEETING THE REQUIREMENTS OF ASTM D3350 WITH WHITE MATERIAL AND ULTRA-VIOLET STABILIZERS ADDED. PLASTIC PIPE USED SHALL NOT REACT WITH CONCRETE OR ENHANCE CORROSION OF PRESTRESSING STRANDS AND SHALL BE SUFFICIENT TO WITHSTAND HANDLING, FABRICATION AND CONSTRUCTION LOADINGS. THE PIPE SHALL BE CORRUGATED AND HAVE A MINIMUM WALL (MATERIAL) THICKNESS OF 0.050 +/- 0.010 INCH.

A PRE-FABRICATED MEETING BETWEEN THE COUNTY, ENGINEERS, TOKYO ROPE AND FABRICATOR SHALL TAKE PLACE PER CMS 515.07. THE SCHEDULING OF THE MEETING SHALL BE AT THE FABRICATOR'S DISCRETION.

FOLLOW THE STEPS AND INSTRUCTIONS PROVIDED BY TOKYO ROPE FOR THE PRESTRESSING PROCEDURE. A COUPLER IS NEEDED TO CONNECT THE CFCC TO STEEL PRESTRESSING STRANDS FOR TENSIONING OF THE STRANDS. THE COUPLER INCLUDES A WEDGE, SLEEVE AND BRAID GRIP TO BE INSTALLED PER TOKYO ROPE. DURING PRESTRESSING OPERATIONS, CFCC AND STEEL PRESTRESSING STRANDS WILL WANT TO UNTWIST AND ROTATE. ANY ROTATING OR UNTWISTING OF THE TENDONS AND END ANCHORAGES SHALL NOT BE PERMITTED. TO PREVENT THE UNTWISTING OF THE CFCC, LAY THE CFCC AND STEEL PRESTRESSING STRAND IN THE SAME DIRECTION WHILE CONNECTING THEM TO THE COUPLER.

DAMAGE DUE TO CUTTING, TWISTING OR ROTATING AND MIS-HANDLING OF ANY PRESTRESSING CFCC SHALL NOT BE PERMITTED. IF ANY DAMAGE OCCURS TO THE CFCC, IT SHALL BE REPLACED AT THE FABRICATOR'S EXPENSE AT NO ADDITIONAL COST TO CONTRACT.

FOLLOW CMS 509.04 FOR PLACING OF STAINLESS STEEL REBAR. STAINLESS STEEL REBARS SHALL BE SUPPORTED AND SPACED USING PLASTIC OR STAINLESS STEEL CHAIRS AND SPACERS. STAINLESS STEEL TIE-WIRE OR PLASTIC ZIP TIES SHALL BE USED. IF STAINLESS STEEL TIE-WIRE IS USED, IT SHALL HAVE THE SAME LEVEL OF CORROSION RESISTANCE AS THE STAINLESS STEEL REBAR.

USE A VIBRATOR WITH A RUBBER COATED HEAD OR VINYL TIPPED PENCIL FOR CONSOLIDATING THE BOX BEAM CONCRETE. VIBRATING THE FORM EXTERNALLY IS ALLOWED.

FOLLOW CMS 515.19 FOR HANDLING, STORAGE AND TRANSPORTATION. DURING STORAGE, ALL HOLES AND REGLETS SHALL BE PROTECTED AGAINST WATER AND ICE IN FREEZING WEATHER. THE BEAMS SHALL BE STORED BY THE FABRICATOR UNTIL THE CONTRACTOR REQUESTS THEM TO BE DELIVERED TO THE CONSTRUCTION SITE.

PRIOR TO TRANSPORTING ANY OF THE BEAMS FOR ERECTION, TRIAL LAYOUT OF ALL BEAMS, AS A COMPLETE UNIT SHALL BE REQUIRED TO CHECK FIT-UP, ALIGNMENT OF TRANSVERSE TIE RODS AND DIFFERENTIAL CAMBER. THE TRANSVERSE TIE ROD DUCT SHALL BE LEVEL AFTER ERECTION. IF THE ALIGNMENT IS SUCH THAT THE ROD CANNOT BE PROPERLY INSTALLED, THE FABRICATOR SHALL SUBMIT A PLAN DETAILING THE PROPOSED CORRECTIVE MEASURES TO THE ENGINEER FOR APPROVAL. NO CORRECTIVE WORK IS TO BE PERFORMED WITHOUT THE ENGINEER'S PRIOR APPROVAL. SEVERE MISALIGNMENT SHALL BE A CAUSE FOR BEAM REJECTION.

THE FABRICATOR SHALL SANDBLAST THE KEYWAY SURFACES WITHIN FOUR DAYS OF SHIPMENT TO THE PROJECT SITE. THE SANDBLASTING SHALL YIELD A VISUAL APPEARANCE AND TEXTURE EQUAL OR ROUGHER THAN 100 GRIT SANDPAPER OVER THE ENTIRE KEYWAY SURFACE. WHEN STAINS ARE VISIBLE BEFORE BLASTING THE CONCRETE, USE A DEGREASER TO ENSURE REMOVAL OF GREASE, OILS AND OTHER SIMILAR CONTAMINATES. THE DEGREASER SHALL BE WATER SOLUBLE SO IT CAN BE REMOVED BEFORE THE BLASTING BEGINS.

ALL BEAMS SHALL BE MARKED WITH THE BRIDGE AND BEAM NUMBER PRIOR TO SHIPPING. ALL MARKS SHALL BE PERMANENT.

TRANSPORTATION SHALL BE PERFORMED WITH ACCEPTABLE EQUIPMENT AND METHODS.

BEAMS THAT SUSTAIN DAMAGE, SURFACE DEFECTS OR EXPERIENCE CRACKING DURING MANUFACTURE, HANDLING, STORAGE, SHIPPING, ERECTION OR APPLICATION OF EXTERNAL FORCES ARE SUBJECT TO REVIEW BY THE ENGINEER AS TO WHETHER THE BEAM MAY BE REPAIRED OR WHETHER IT WILL BE REJECTED. SUBMIT PROPOSED WRITTEN REPAIR PROCEDURES, INCLUDING MATERIALS, AND OBTAIN APPROVAL BEFORE PERFORMING REPAIRS. REPAIR WORK MUST RE-ESTABLISH THE STRUCTURAL INTEGRITY AND DURABILITY OF THE BEAM TO THE SATISFACTION OF THE ENGINEER.

THE BEAMS SHALL BE ERECTED AT THE SITE PER CMS 515.19. SITE HANDLING AND ERECTION SHALL BE PERFORMED WITH ACCEPTABLE EQUIPMENT AND METHODS.

BEFORE MORTORING, REMOVE ALL DIRT, DUST, GREASE, OIL AND OTHER FOREIGN MATERIAL FROM THE SURFACES USING A HIGH PRESSURE WASH OF AT LEAST 1000 PSI AT A DELIVERY RATE OF AT LEAST 4 GALLONS PER MINUTE.

ALL LABOR, MATERIAL AND INCIDENTAL COSTS INVOLVED WITH THE FABRICATION, TRANSPORTATION AND ERECTION OF THE BEAMS, INCLUDING JOINT MORTOR (KEYWAY GROUT), ANCHOR DOWELS AND THE PREFORMED EXPANSION JOINT FILLER BETWEEN THE BEARINGS SHALL BE INCLUDED WITH THIS ITEM FOR PAYMENT.

**ABBREVIATIONS**

- ABUT. - ABUTMENT
- BRG. - BEARING
- BTA - BRIDGE TERMINAL ASSEMBLY
- CFCC - CARBON FIBER COMPOSITE CABLE
- C/C - CENTER TO CENTER
- CL - CENTERLINE
- CLR. - CLEAR
- CONSTR. - CONSTRUCTION
- DIA. - DIAMETER
- DIM. - DIMENSION
- DWG. - DRAWING
- EL. OR - ELEVATION
- ELEV. - ELEVATION
- EX. - EXISTING
- EXP. - EXPANSION
- FF - FAR FACE
- F/F - FACE TO FACE
- FWD. - FORWARD
- (F) - FORWARD ABUTMENT
- MIN. - MINIMUM
- PEJF - PREFORMED EXPANSION JOINT FILLER
- PROP. - PROPOSED
- (R) - REAR ABUTMENT
- STA. - STATION
- STD. - STANDARD
- STR. - STRAIGHT
- TST - TWIN STEEL TUBE
- TYP. - TYPICAL

<b>GENERAL NOTES (2 OF 2)</b>		BRIDGE NO. WAR-CO196-0101 EDWARDSVILLE ROAD (CO196) OVER LICK RUN
WAR-CO196-01.01	PID No. 108833	3 / 9
20	26	

DESIGN AGENCY

BARGE

DESIGN SOLUTIONS

REVIEWED	DATE	STRUCTURE FILE NUMBER	8333556
KSM	JAN 20		
DRAWN	MMN	REVISION	
BMG	AMM		



F:\37\37028\3702800\04\_CAD\TRNS\370280\_WAR-EDWARDSVILL\Design\Structures\WAR196\_1010C\_Sheets\WAR196\_1010C\_S0001.dgn\_Sheet 4/20/2020 3:11:07 PM MNMetz

MADE BY: BMG		DATE: 12/31/2019		ESTIMATED QUANTITIES					STRUCTURAL FILE NUMBER: 8333556	
CHECKED BY: AMM		DATE: 1/3/2020								
ITEM	EXTENSION	TOTAL	UNIT	DESCRIPTION	ABUT.	SUPER.	GEN.	REFERENCE SHEET NO.		
202	11203	LUMP		PORTIONS OF STRUCTURE REMOVED, OVER 20 FOOT SPAN, AS PER PLAN			LUMP	2		
202	23500	111	SY	WEARING COURSE REMOVED			111			
304	20000	25	CY	AGGREGATE BASE			25			
503	21301	LUMP		UNCLASSIFIED EXCAVATION, AS PER PLAN	LUMP			2		
509	25001	506	LB	REINFORCING STEEL, AS PER PLAN (STAINLESS STEEL REBAR)		506		2		
511	31611	3	CY	CLASS QC2 CONCRETE, SUPERSTRUCTURE, AS PER PLAN		3		2		
512	10100	125	SY	SEALING OF CONCRETE SURFACES (EPOXY-URETHANE)	103	22				
512	33010	126	SY	TYPE 3 WATERPROOFING		126				
515	10031	7	EACH	PRESTRESSED CONCRETE NON-COMPOSITE BOX BEAM BRIDGE MEMBERS, LEVEL 1, B17-48, AS PER PLAN ( (LENGTH = 39.50 FT.))		7		3		
516	13900	6	SF	2" PREFORMED EXPANSION JOINT FILLER	6					
516	14020	75	FT	SEMI-INTEGRAL ABUTMENT EXPANSION JOINT SEAL	75					
516	41100	14	EACH	1/8" PREFORMED BEARING PAD	14					
516	43100	28	EACH	ELASTOMERIC BEARING WITH INTERNAL LAMINATES ONLY (NEOPRENE) (8"x10"x1 15/16")	28					
517	70001	98	FT	RAILING (TWIN STEEL TUBE), AS PER PLAN		98		8		
518	21200	15	CY	POROUS BACKFILL WITH GEOTEXTILE FABRIC	15					
518	22300	97	FT	SPECIAL - STEEL DRIP STRIP		97				
519	11100	55	SF	PATCHING CONCRETE STRUCTURE	55					
843	50000	20	SF	PATCHING CONCRETE STRUCTURES WITH TROWELABLE MORTAR	20					
846	00110	24	CF	POLYMER MODIFIED ASPHALT EXPANSION JOINT SYSTEM			24			

DESIGN AGENCY  
**BARGE**  
DESIGN SOLUTIONS

REVIEWED  
KSM  
DATE  
JAN 20  
STRUCTURE FILE NUMBER  
8333556

DRAWN  
MMM  
REVISOR  
REVISOR

DESIGNED  
BMG  
CHECKED  
AMM

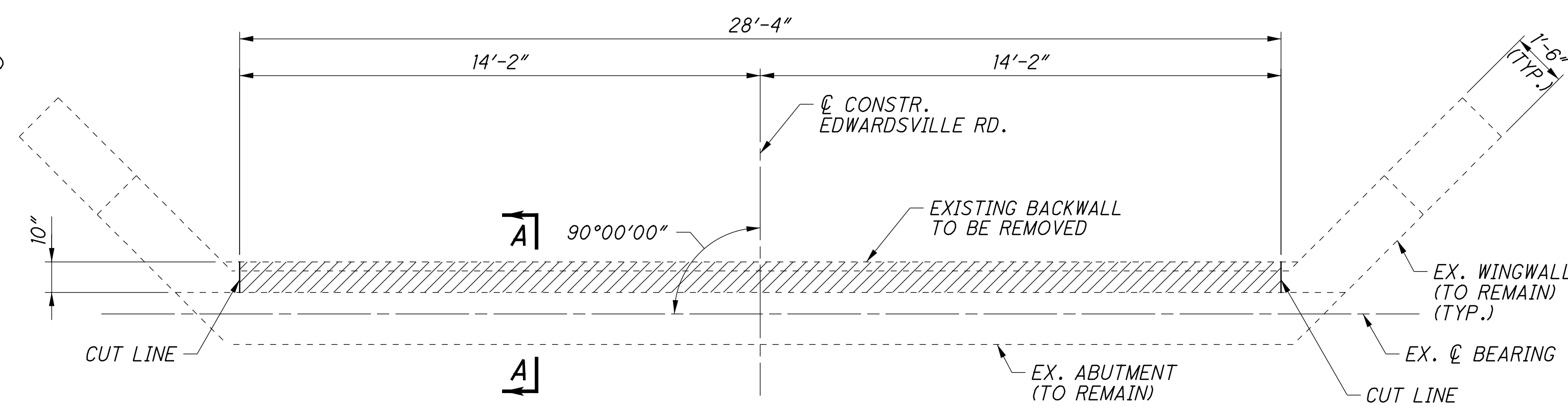
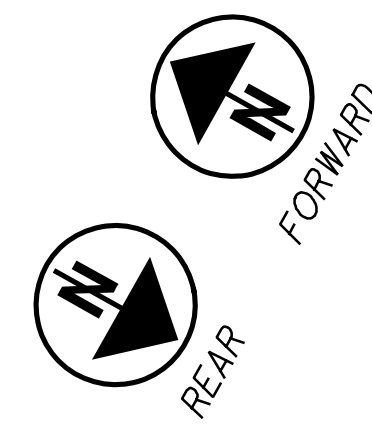
ESTIMATED QUANTITIES  
BRIDGE NO. WAR-CO196-0101  
EDWARDSVILLE ROAD (CO196) OVER LICK RUN

WAR-CO196-01.01  
PID No. 108833

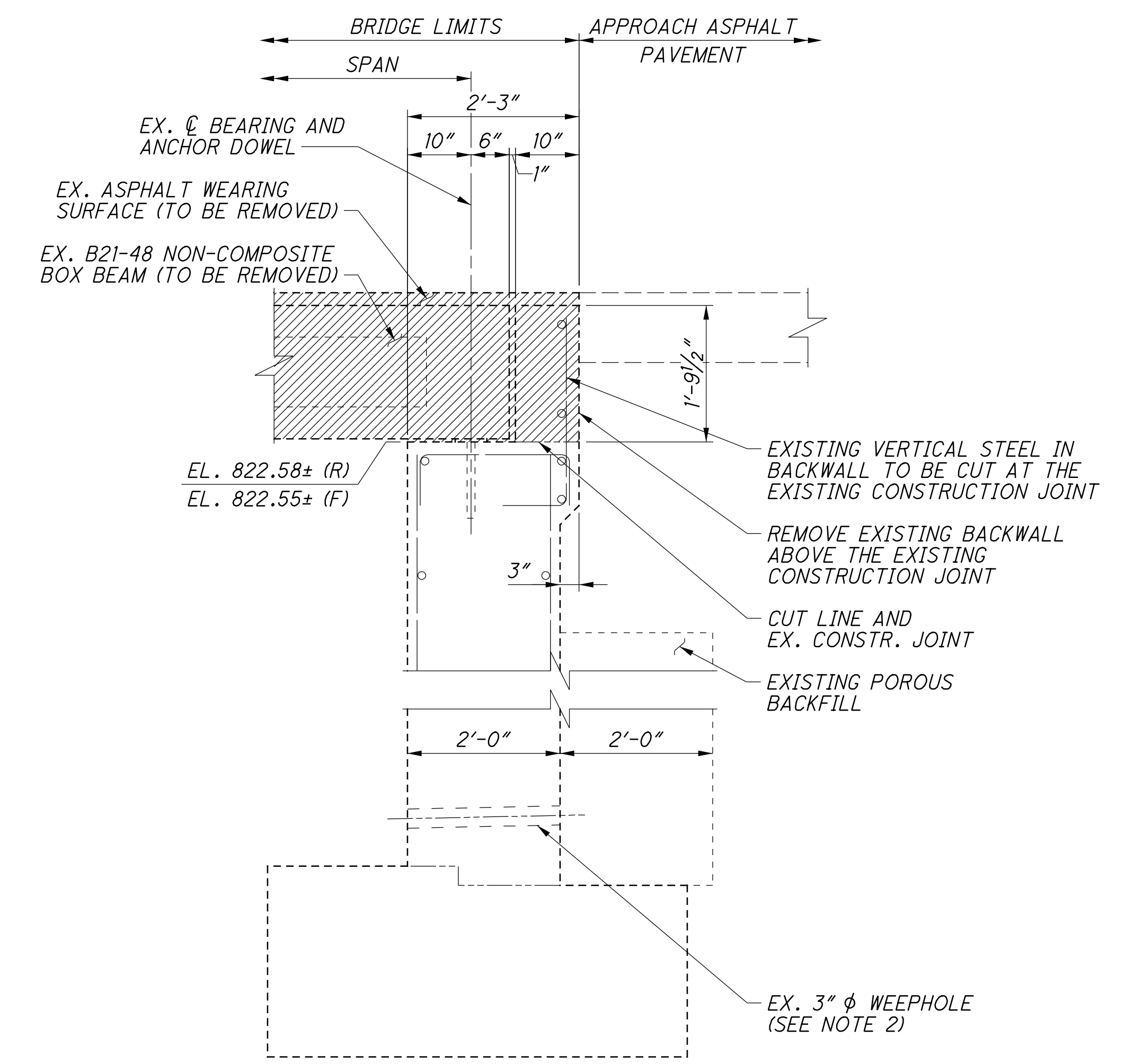
4/9  
21  
26



F:\37\37028\3702800\04\_CAD\TRNS\370280\_WAR-EDWARDSVILL\Design\Structures\WAR196\_1010C\_Sheets\WAR196\_1010C\_SV001.dgn\_Sheet 4/20/2020 3:11:08 PM MNMetz



**EXISTING ABUTMENT REMOVAL PLAN**  
 (REAR ABUTMENT SHOWN, FORWARD ABUTMENT SIMILAR, BUT OPPOSITE HAND)



**SECTION A-A**

**LEGEND:**

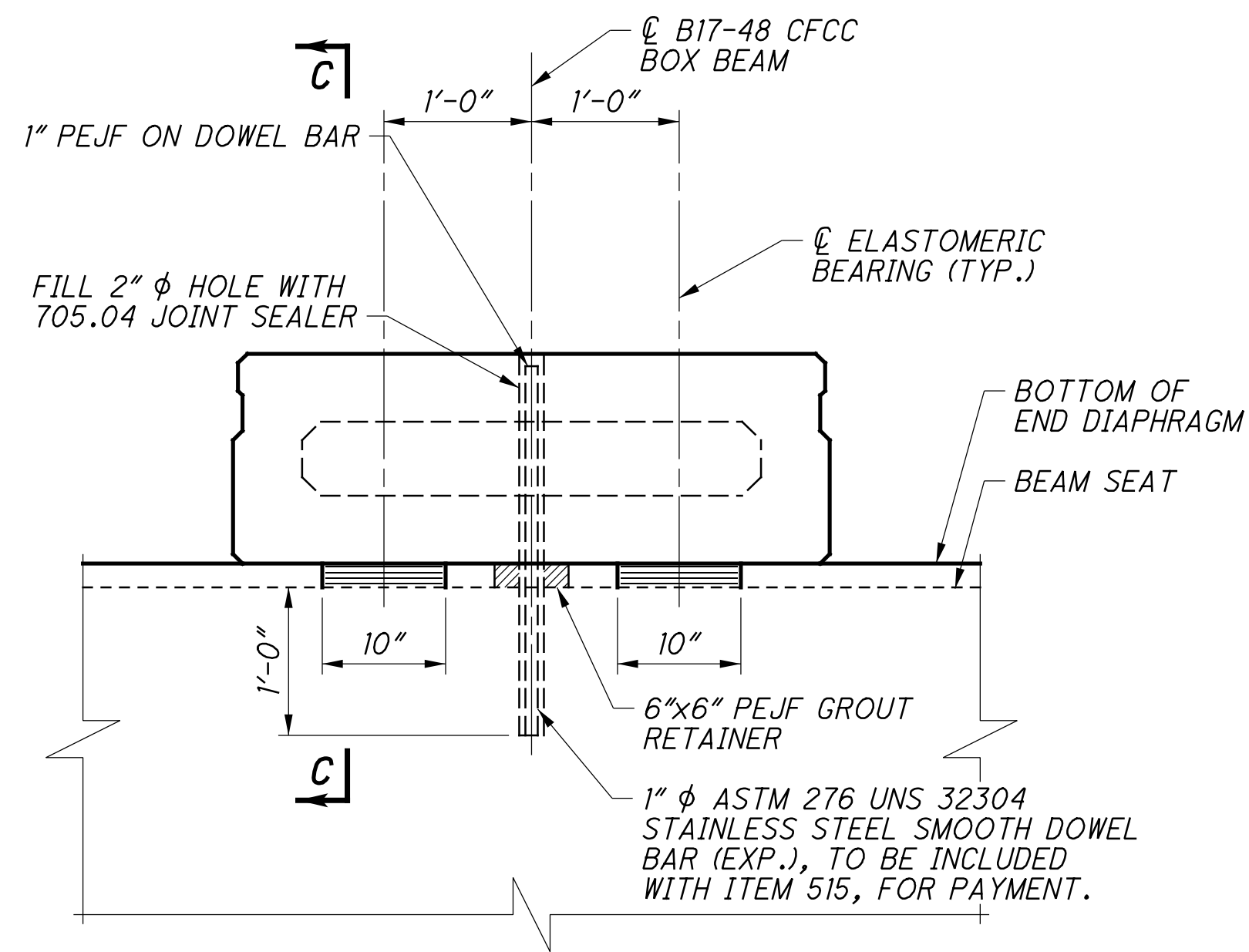
- INDICATES AREAS TO BE REMOVED PER ITEM 202 - PORTIONS OF STRUCTURE REMOVED, OVER 20 FOOT SPAN, AS PER PLAN

**NOTES:**

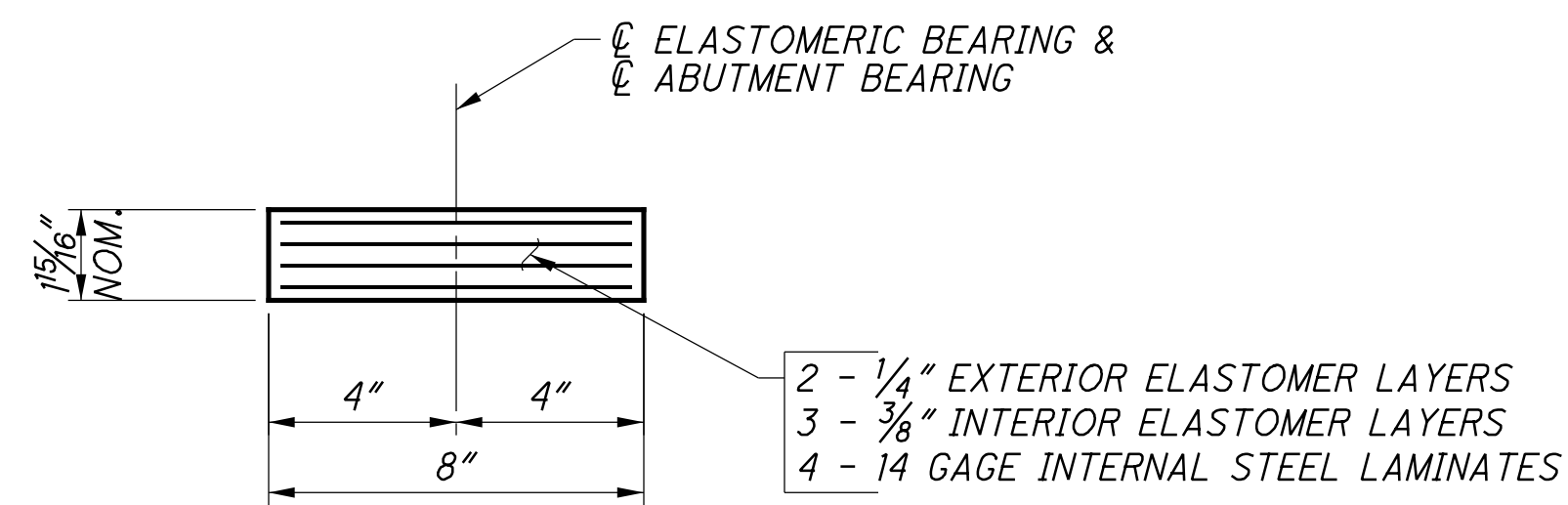
1. DIMENSIONS AND DATA TAKEN FROM EXISTING PLANS AND ARE FOR REFERENCE ONLY. ALL DIMENSIONS ARE CONSIDERED ±. THE CONTRACTOR SHALL FIELD VERIFY ALL EXISTING ELEVATIONS.
2. EXISTING WEEPHOLES TO BE CLEANED TO ENSURE PROPER DRAINAGE. PAYMENT FOR ALL LABOR, EQUIPMENT AND INCIDENTALS REQUIRED TO PERFORM THIS WORK SHALL BE INCLUDED WITH ITEM 202, PORTIONS OF STRUCTURE REMOVED, OVER 20 FOOT SPAN, AS PER PLAN.

<b>REMOVAL DETAILS</b>	
BRIDGE NO. WAR-CO196-0101	EDWARDSVILLE ROAD (CO196) OVER LICK RUN
WAR-CO196-01.01	PID No. 108833
DESIGNED BMG	CHECKED AWM
DRAWN MMM	REVISED
REVIEWED KSM	STRUCTURE FILE NUMBER 8333556
DATE JAN 20	DESIGN AGENCY <b>BARGE</b> DESIGN SOLUTIONS

F:\37\37028\3702800\04\_CAD\TRNS\370280\_WAR-EDWARDSVILL\Design\Structures\WAR196\_1010C\_Sheets\WAR196\_1010C\_SBO01.dgn Sheet 4/20/2020 3:11:08 PM MNWetz



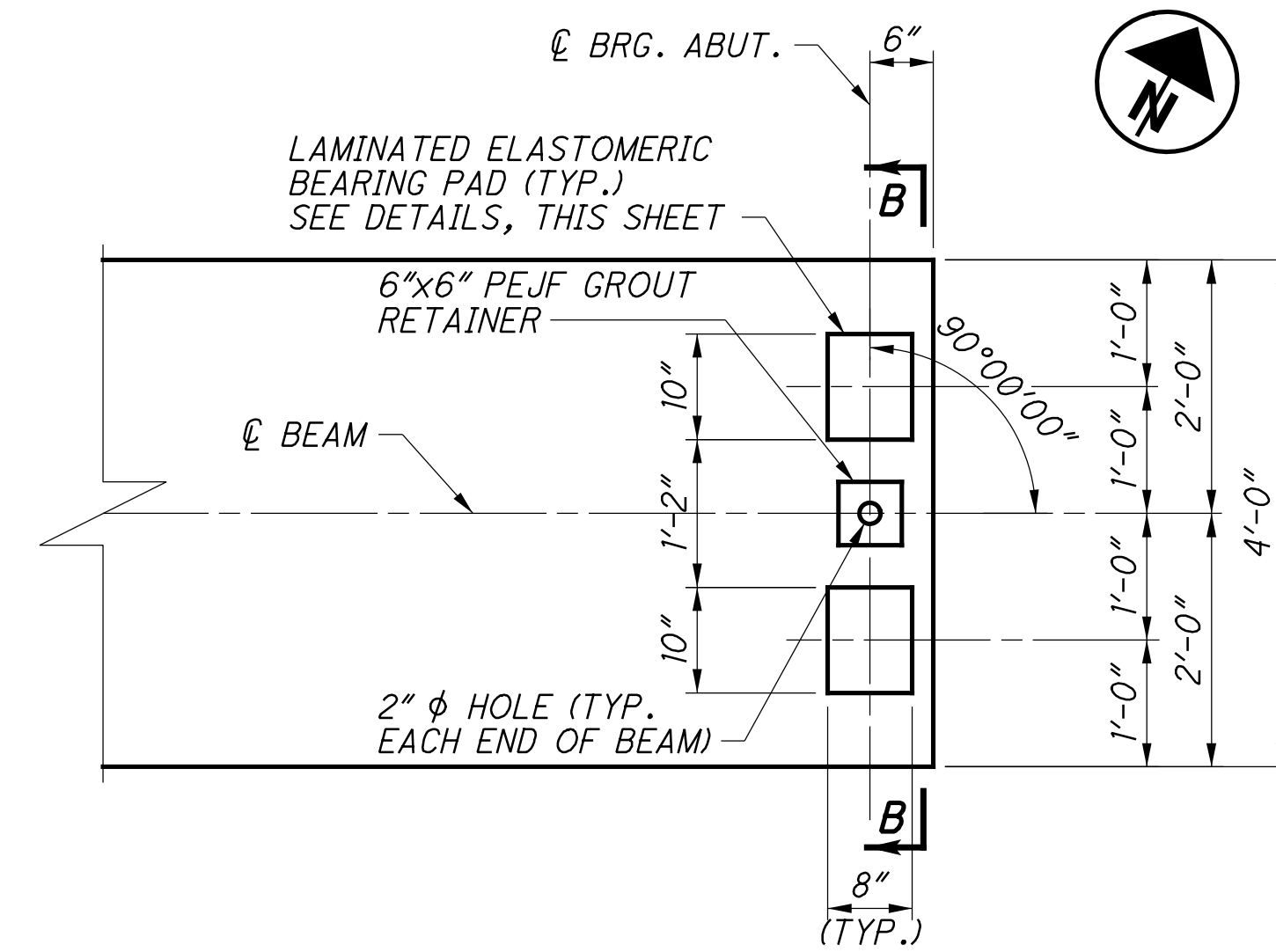
**SECTION B-B**  
(TYPICAL AT ALL BEAMS)



**SECTION C-C**  
(BEAMS AND SUBSTRUCTURE NOT SHOWN FOR CLARITY)

**LAMINATED ELASTOMERIC BEARING DETAILS**

LIVE LOAD REACTION (W/O IMPACT): 20.0 KIPS  
DEAD LOAD REACTION: 10.8 KIPS  
MAXIMUM DESIGN LOAD: 30.8 KIPS



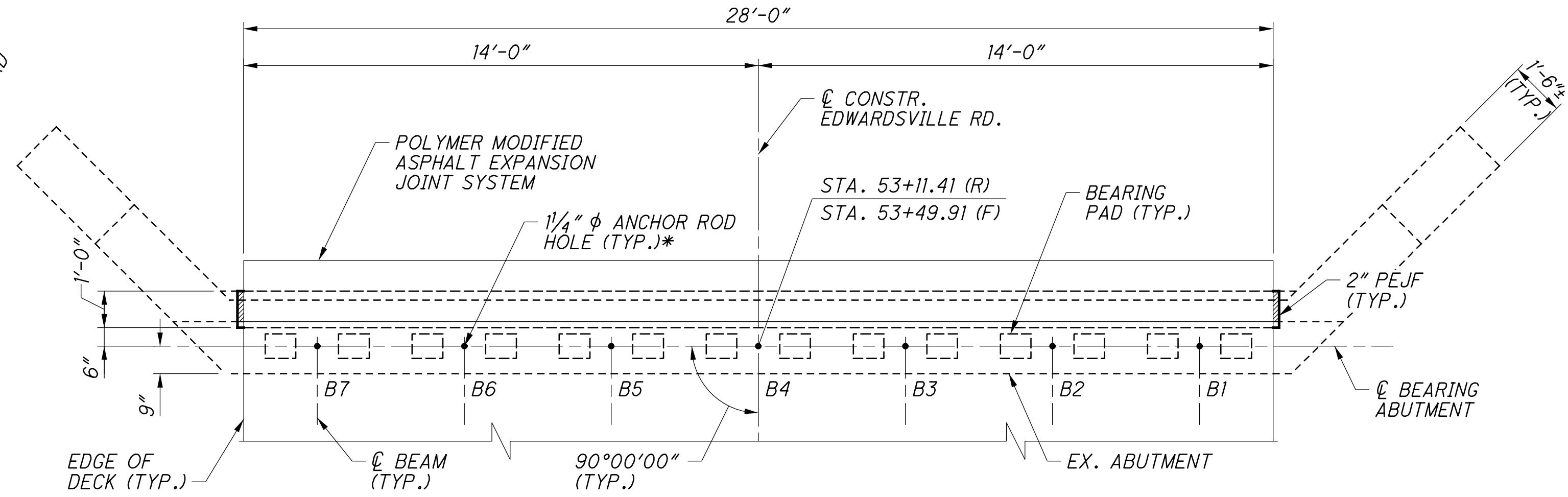
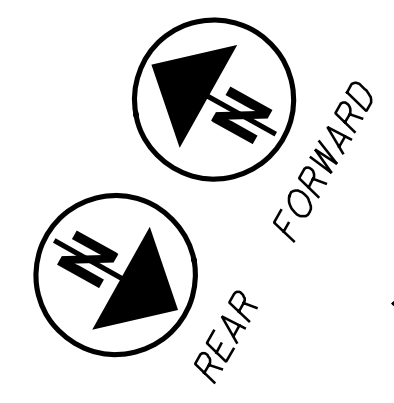
**BEARING PAD PLACEMENT PLAN**  
(FORWARD ABUTMENT SHOWN,  
REAR ABUTMENT SIMILAR, BUT OPPOSITE HAND)

**NOTES:**

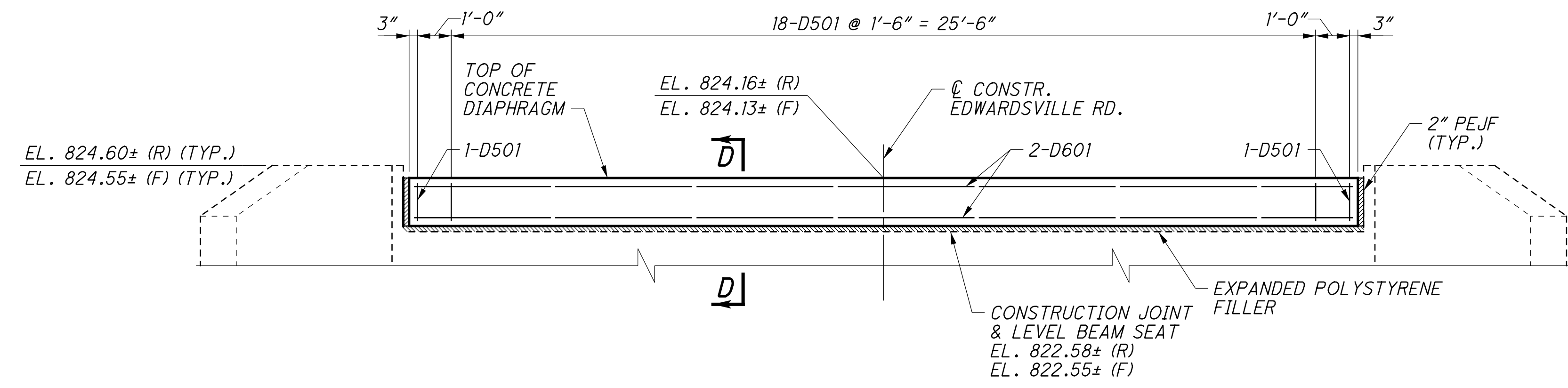
- ELASTOMERIC BEARINGS: THE ELASTOMER SHALL HAVE A HARDNESS OF 50 DUROMETER. THE BEARINGS WERE DESIGNED IN ACCORDANCE WITH SECTION 14.7.6 (METHOD A) OF THE AASHTO LRFD BRIDGE DESIGN SPECIFICATIONS. THE LONG-TERM COMPRESSION PROOF LOAD TEST (AASHTO STANDARD SPECIFICATIONS FOR HIGHWAY BRIDGES, DIVISION II, SECTION 18.7.2.6) IS NOT REQUIRED.
- ALL BEARINGS SHALL BE MARKED PRIOR TO SHIPPING. THE MARKS SHALL INCLUDE THE BEARING LOCATION ON THE BRIDGE AND A DIRECTION ARROW THAT POINTS UP-STATION. ALL MARKS SHALL BE PERMANENT AND BE VISIBLE AFTER THE BEARING IS INSTALLED.
- THE TOTAL DESIGN LOAD FOR THE BEARINGS EQUALS THE SUM OF THE DEAD LOADS AND LIVE LOADS TABULATED ON THIS SHEET. IMPACT IS NOT INCLUDED. LOADS ARE UNFACTORED.
- BASIS OF PAYMENT: THE UNIT BID PRICE SHALL INCLUDE ALL MATERIALS, LABOR, TESTING AND INCIDENTALS NECESSARY TO FURNISH AND INSTALL LAMINATED ELASTOMERIC BEARINGS. PAYMENT WILL BE MADE AT THE CONTRACT PRICE FOR ITEM 516, EACH, ELASTOMERIC BEARINGS WITH INTERNAL LAMINATES ONLY (NEOPRENE).

DESIGN AGENCY <b>BARGE</b> DESIGN SOLUTIONS	
DESIGNED BMG	CHECKED AWM
DRAWN MMM	REVISED
REVIEWED KSM	DATE JAN 20
STRUCTURE FILE NUMBER 8333556	
LAMINATED ELASTOMERIC BEARING DETAILS	
BRIDGE NO. WAR-CO196-0101	
EDWARDSVILLE ROAD (CO196) OVER LICK RUN	
WAR-CO196-01.01	
PID No. 108833	
6/9	
23 26	

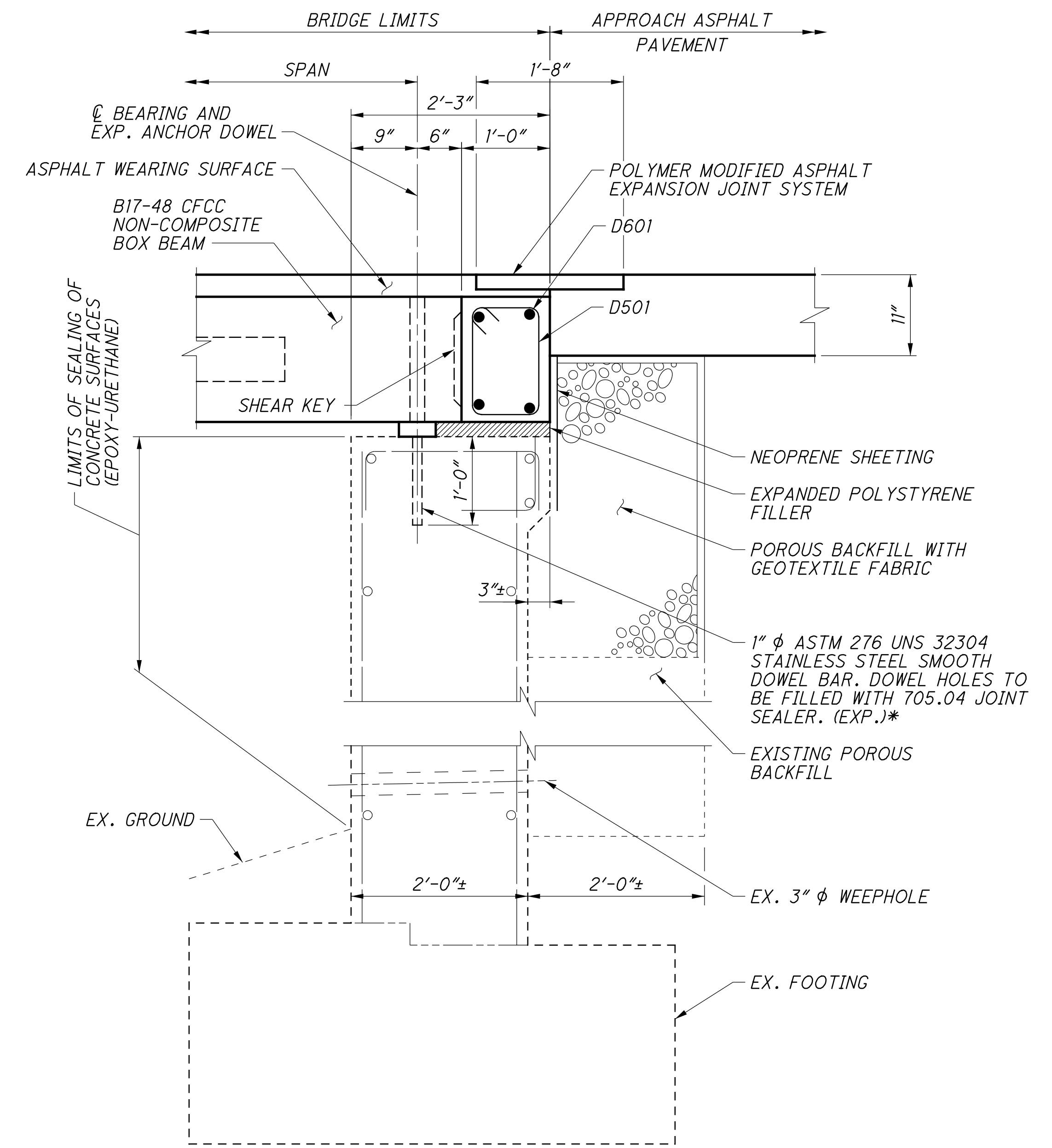
F:\37\37028\3702800\04\_CAD\TRNS\370280\_WAR-EDWARDSVILLE\Design\Structures\WAR196\_1010C\_Sheets\WAR196\_1010C\_Sheet.dgn Sheet 4/20/2020 3:11:09 PM MNWetz



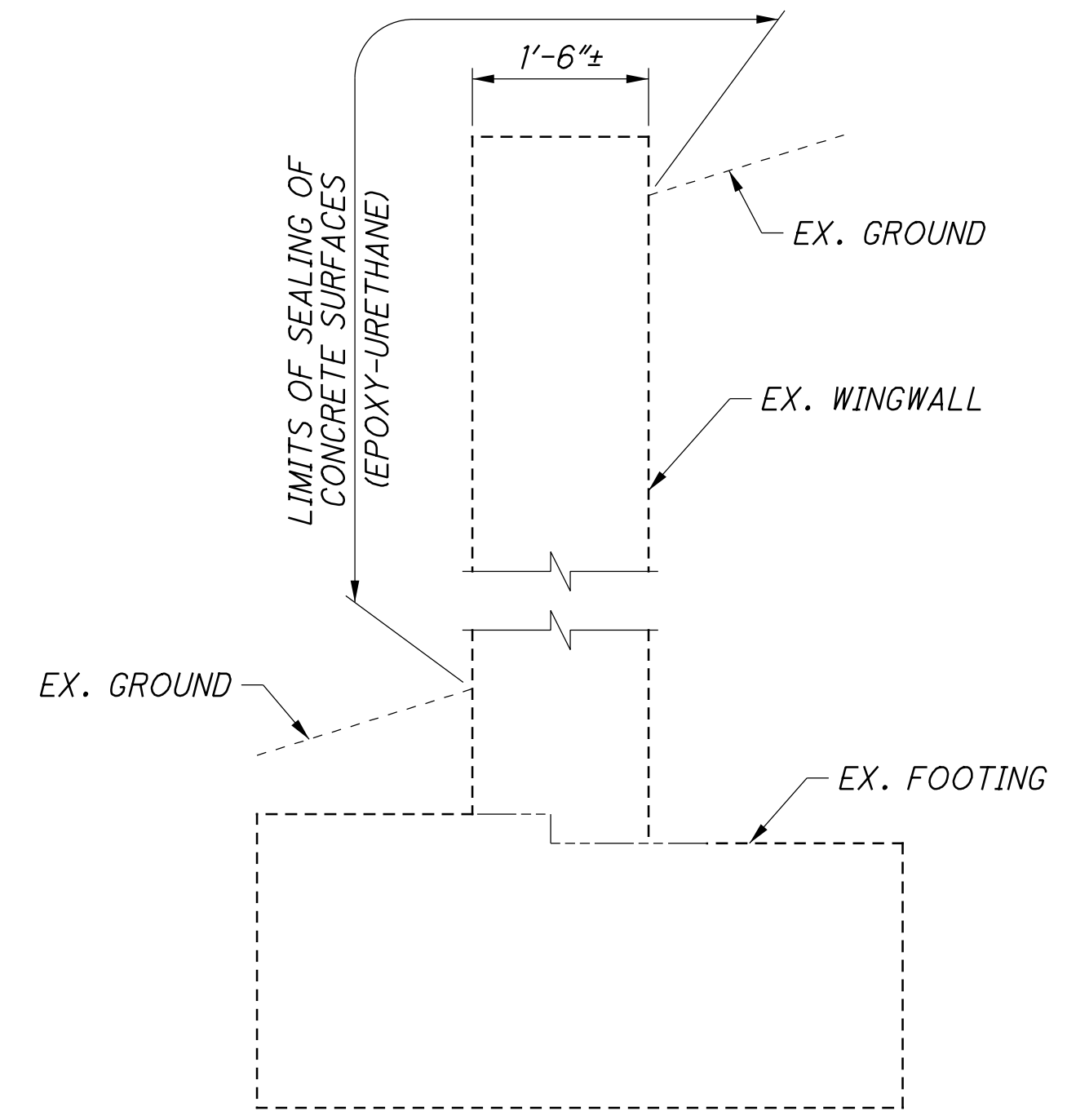
**END DIAPHRAGM PLAN**  
(REAR ABUTMENT SHOWN,  
FORWARD ABUTMENT SIMILAR, BUT OPPOSITE HAND)



**END DIAPHRAGM ELEVATION**  
(REAR ABUTMENT SHOWN,  
FORWARD ABUTMENT SIMILAR, BUT OPPOSITE HAND)

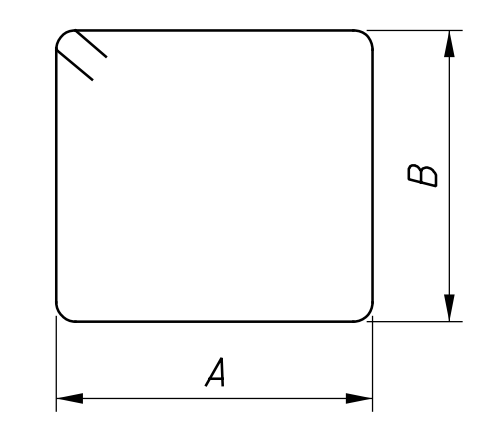


**SECTION D-D**  
(BARS FROM BEAM NOT SHOWN FOR CLARITY)



**WINGWALL SEALING LIMITS**

REINFORCING STEEL LIST						
MARK	NUMBER	LENGTH	WEIGHT	TYPE	DIMENSIONS	
					A	B
<b>DIAPHRAGMS</b>						
D501	40	4'-2"	175	3	8"	1'-1"
D601	8	27'-8"	331	STR		
SUB-TOTAL			506			



**TYPE-3**

- REINFORCING STEEL LIST NOTES:**
- ALL REINFORCING STEEL BARS IN THE END DIAPHRAGM SHALL BE ASTM A276 UNS 32304 STAINLESS STEEL.
  - THE REINFORCING STEEL WEIGHT IS BASED ON STAINLESS STEEL.
  - ALL DIMENSIONS ARE OUT TO OUT OF BAR.
  - THE BAR SIZE NUMBER IS SPECIFIED ON THE PLANS IN THE BAR MARK COLUMN. THE FIRST DIGIT AFTER THE LETTER WHERE THREE DIGITS ARE USED AND THE FIRST TWO DIGITS AFTER THE LETTER WHERE FOUR ARE USED, INDICATES THE BAR SIZE NUMBER. FOR EXAMPLE, S601:  
S: LOCATION OF THE BAR IN THE STRUCTURE (SUPERSTRUCTURE)  
6: BAR SIZE DIMENSION NO. 6  
01: SEQUENCE NUMBER

**LEGEND:**  
\* - FIELD DRILL 1/4" MINIMUM DIAMETER HOLES IN EXISTING ABUTMENT SEAT FOR THE PROPOSED BEAMS, TO THE DEPTH SHOWN. FILL WITH 705.04 JOINT SEALER. DRILLING AND JOINT SEALER INCLUDED WITH ITEM 515 FOR PAYMENT.

**NOTES:**  
1. FOR GENERAL NOTES, SEE SHEETS 2 / 9 AND 3 / 9.

DESIGN AGENCY  
**BARGE**  
DESIGN SOLUTIONS

DATE  
JAN 20

REVIEWED  
KSM

DRAWN  
MMM

DESIGNED  
BMG

CHECKED  
AMM

STRUCTURE FILE NUMBER  
8333556

END DIAPHRAGM PLAN AND ELEVATION  
BRIDGE NO. WAR-CO196-0101  
EDWARDSVILLE ROAD (CO196) OVER LICK RUN

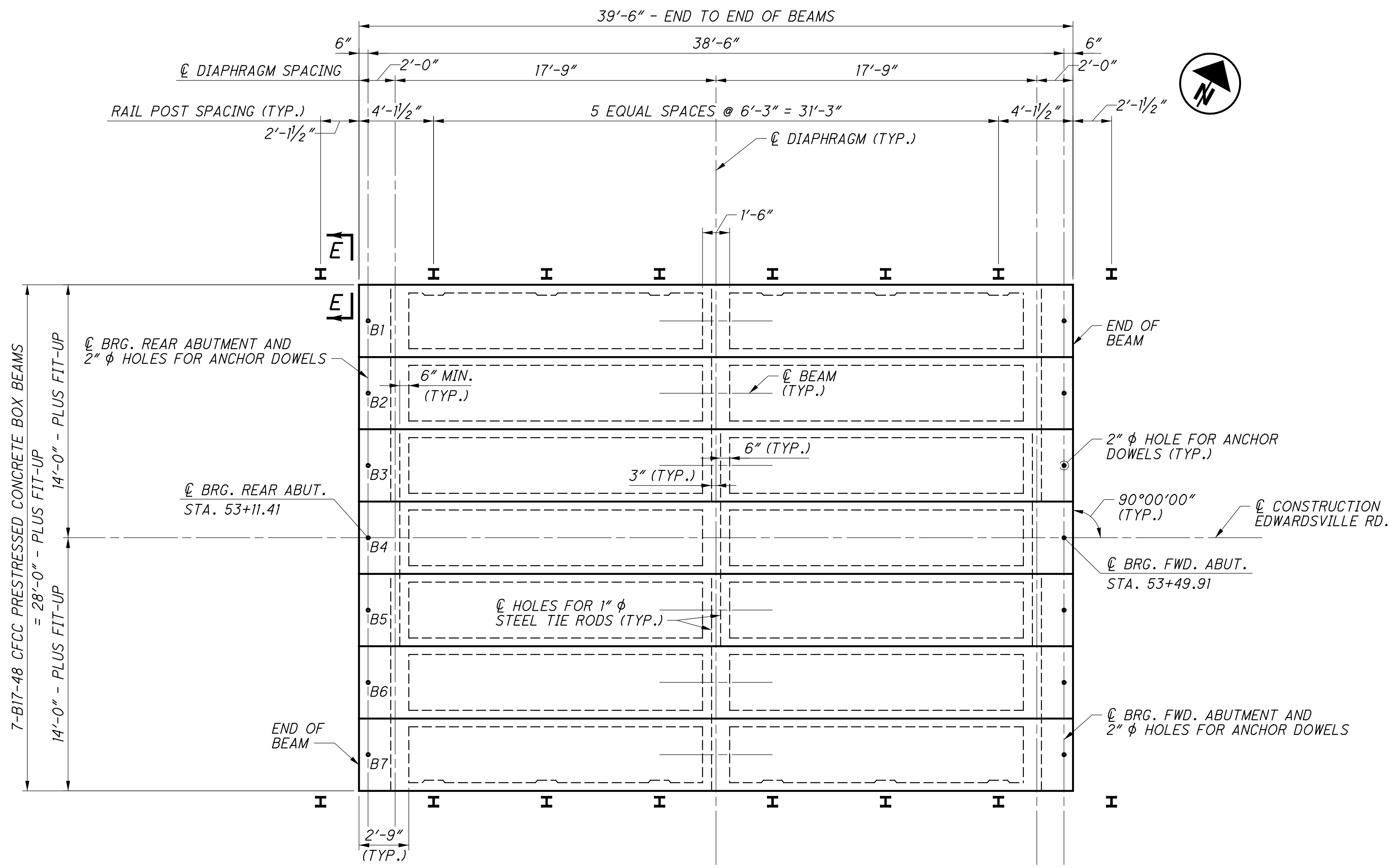
WAR-CO196-01.01  
PID No. 108833

7 / 9

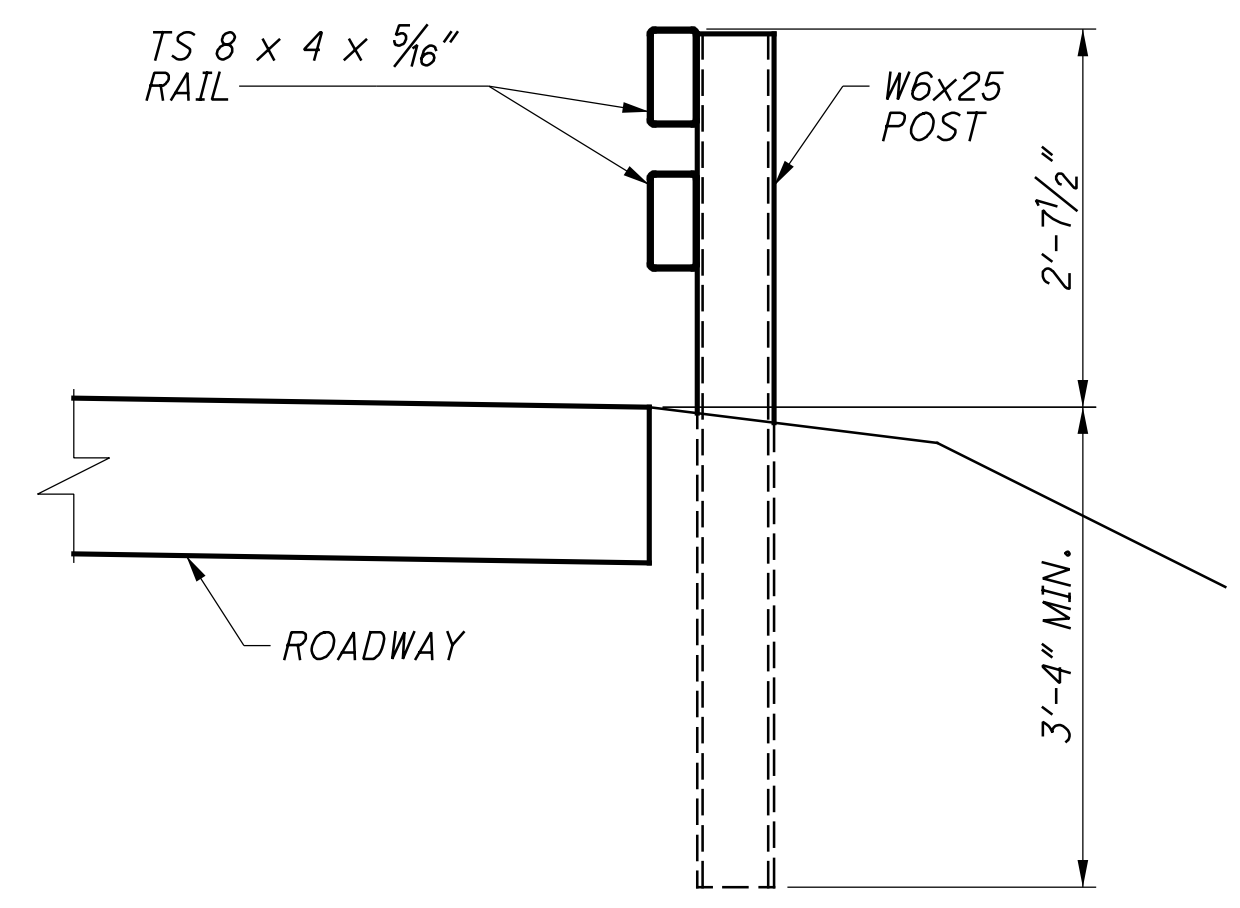
24  
26



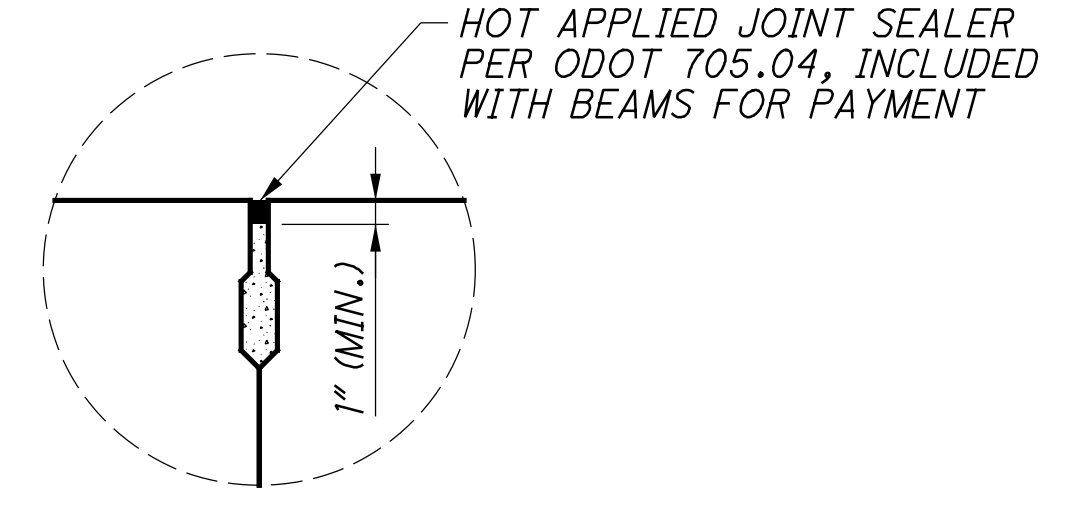
F:\37\37028\3702800\04\_CAD\TRANS\370280\_WAR-EDWARDSVILLE\Design\Structures\WAR196\_1010C\_Sheets\WAR196\_1010C.dgn Sheet 4/20/2020 3:11:10 PM MNMetz



**FRAMING PLAN**

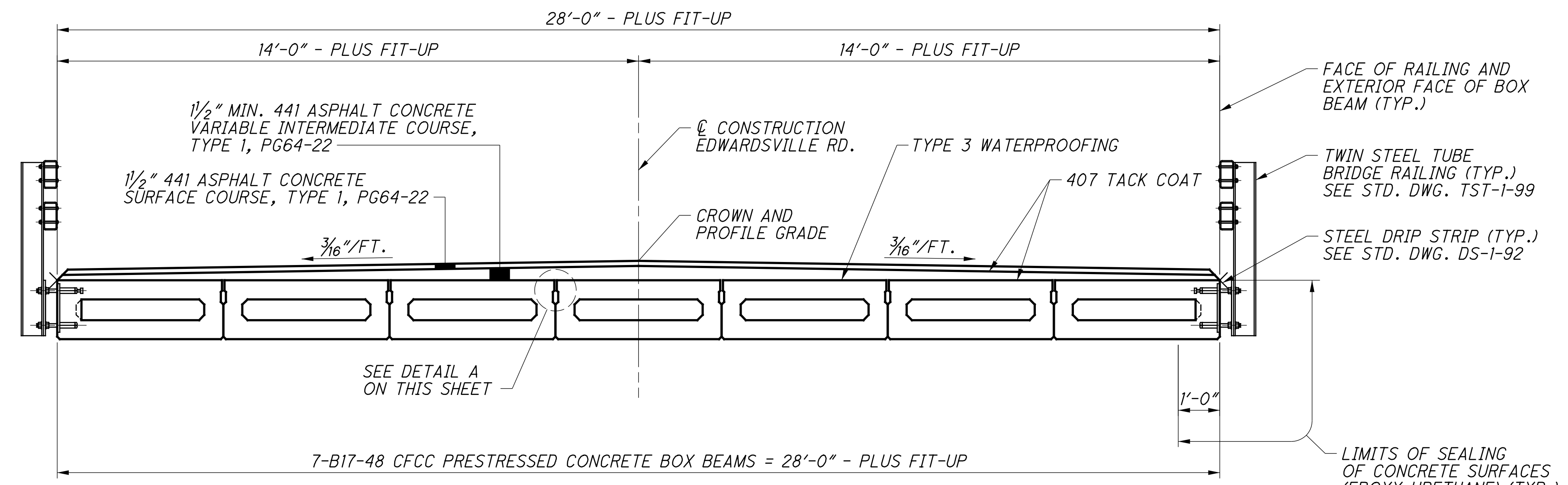


**SECTION E-E  
(AT ROADWAY)**



**DETAIL A**

SHEAR KEYS SHALL BE FILLED WITH NON-SHRINK MORTAR TO A FINISHED PLANE 1" BELOW TOP OF BEAM. FILL LAST 1" WITH HOT APPLIED JOINT SEALER PER ODOT SPECIFICATION 705.04. BLOCK OFF ENDS OF BEAM TEMPORARILY TO RETAIN SEALER.



**TRANSVERSE SECTION**

- NOTES:**
- FOR NOTES REGARDING PRESTRESSED CONCRETE BOX BEAM DETAILS AND FOR ADDITIONAL DETAILS, SEE STD. DWG. PSBD-2-07, SHEETS 1 THRU 4 OF 4.
  - FOR STAINLESS STEEL REINFORCING AND CFCC PATTERN OF BEAMS, SEE SHEET 9/9.
  - FOR DOWEL HOLES IN ENDS OF BEAMS, PLACEMENT OF LAMINATED ELASTOMERIC BEARINGS AND LAMINATED ELASTOMERIC BEARING PAD DETAILS, SEE SHEET 6/9.
  - FOR ASPHALT THICKNESS DIAGRAM, SEE SHEET 9/9.
  - FOR GENERAL NOTES, SEE SHEETS 2/9 AND 3/9.
  - FOR RAILING DETAILS, SEE STD. DWG. TST-1-99.
  - ASPHALT CONCRETE WEARING COURSE SHALL CONSIST OF A VARIABLE THICKNESS OF 441 ASPHALT INTERMEDIATE COURSE, TYPE 1, PG64-22 AND A SECOND 1/2" THICKNESS OF 441 ASPHALT CONCRETE SURFACE COURSE, TYPE 1, PG64-22.

<b>DESIGN AGENCY</b> <b>BARGE</b> DESIGN SOLUTIONS		DATE	JAN 20
		REVIEWED	KSM
DESIGNED	BMG	STRUCTURE FILE NUMBER	8333556
DRAWN	MNM	REVISION	
<b>FRAMING PLAN AND TRANSVERSE SECTION</b> BRIDGE NO. WAR-CO196-0101 EDWARDSVILLE ROAD (CO196) OVER LICK RUN			
<b>WAR-CO196-01.01</b> PID No. 108833		8/9 25 26	





WARREN COUNTY, OHIO  
WARREN COUNTY ENGINEER

**WAR-C.R. 196-1.01  
(EDWARDSVILLE ROAD)**

**PROJECT DESCRIPTION**

THIS PROJECT CONSISTS OF REPLACING THE EXISTING BRIDGE SUPERSTRUCTURE WITH PRE-STRESSED CONCRETE BOX BEAMS WITH CARBON FIBER CABLE (CFCC) STRANDS. WORK ALSO INCLUDES MINOR ROADWAY IMPROVEMENTS.



PROJECT LOCATION

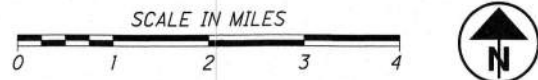
**OVER LICK RUN  
BRIDGE NO. WAR C0196-0101  
HARLAN TOWNSHIP**

**EARTH DISTURBED AREAS**

PROJECT EARTH DISTURBED AREA: 0.35 ACRES  
ESTIMATED CONTRACTOR EARTH DISTURBED AREA: 0.25 ACRES  
NOTICE OF INTENT EARTH DISTURBED AREA: N/A (NOT REQUIRED)

**LOCATION MAP**

LATITUDE: 39°19'33" N LONGITUDE: 84°02'41" W



PORTION TO BE IMPROVED	—————
INTERSTATE HIGHWAY	—————
FEDERAL ROUTES	—————
STATE ROUTES	—————
COUNTY & TOWNSHIP ROADS	—————
OTHER ROADS	—————

**DESIGN DESIGNATION**

CURRENT ADT (2018)	376
DESIGN SPEED	55
LEGAL SPEED	55
DESIGN FUNCTIONAL CLASSIFICATION:	
LOCAL ROAD	

**INDEX OF SHEETS:**

TITLE SHEET	1
TYPICAL SECTIONS	2
GENERAL NOTES	3
MAINTENANCE OF TRAFFIC	4-5
GENERAL SUMMARY	6
SUBSUMMARIES	7
PLAN AND PROFILE	8
CROSS SECTIONS	9-13
SUPERELEVATION TABLE	14
DRIVE DETAILS	15
DRIVE PROFILES	16
TRAFFIC CONTROL	17
STRUCTURES OVER 20' SPAN	18-26

**2019 SPECIFICATIONS**

THE STANDARD SPECIFICATIONS OF THE STATE OF OHIO, DEPARTMENT OF TRANSPORTATION, INCLUDING SUPPLEMENTAL SPECIFICATIONS LISTED IN THE PLANS AND CHANGES LISTED IN THE PROPOSAL SHALL GOVERN THIS IMPROVEMENT.

I HEREBY APPROVE THESE PLANS AND DECLARE THAT THE MAKING OF THIS IMPROVEMENT WILL REQUIRE THE CLOSING TO TRAFFIC OF THE HIGHWAY AND THAT DE-TOURS WILL BE PROVIDED AS INDICATED ON SHEET 5.

Ohio Utilities Protection Service



PLAN PREPARED BY:



**ENGINEERS SEAL:**



SIGNED: *Andrew Stumbo*  
DATE: 4/29/2020  
SHEETS: 1-17

**ENGINEERS SEAL:**



SIGNED: *Amy Moore*  
DATE: 4/29/2020  
SHEETS: 18-26

STANDARD CONSTRUCTION DRAWINGS										SUPPLEMENTAL SPECIFICATIONS		SPECIAL PROVISIONS	
BP-3.1	1/17/20	MGS-1.1	1/19/18	DS-1-92	7/18/03	MT-101.60	1/17/20	TC-41.20	10/18/13	800-2019	10/21/22		
BP-4.1	7/19/13	MGS-2.1	1/19/18	PSBD-2-07	7/20/18	MT-105.10	1/17/20	TC-41.30	10/18/13	832	10/19/18		
		MGS-3.1	1/19/18	TST-1-99	7/20/18			TC-42.20	10/18/13	843	10/18/19		
DM-4.1	7/20/18	MGS-4.2	7/19/13					TC-52.10	10/18/13	846	4/17/15		
DM-4.3	1/15/16							TC-52.20	7/20/18				
DM-4.4	1/15/16							TC-61.30	7/19/19				

APPROVED \_\_\_\_\_  
DATE \_\_\_\_\_ WARREN COUNTY ENGINEER

APPROVED \_\_\_\_\_  
DATE \_\_\_\_\_ WARREN COUNTY COMMISSIONER

APPROVED \_\_\_\_\_  
DATE \_\_\_\_\_ WARREN COUNTY COMMISSIONER

APPROVED \_\_\_\_\_  
DATE \_\_\_\_\_ WARREN COUNTY COMMISSIONER

FEDERAL PROJECT NO.

PID NO. 108833

CONSTRUCTION PROJECT NO.

RAILROAD INVOLVEMENT NONE

WAR-C.R. 196-1.01

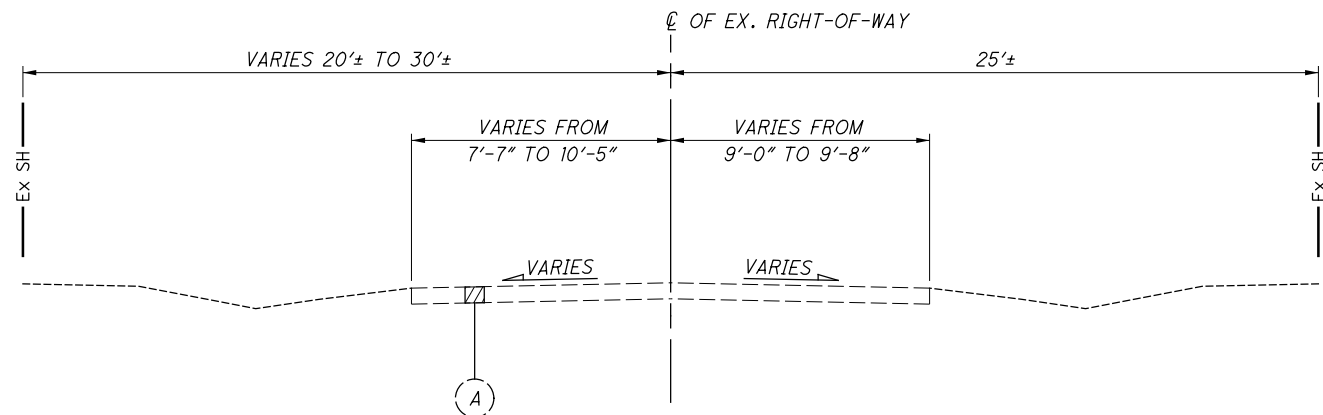
1/26



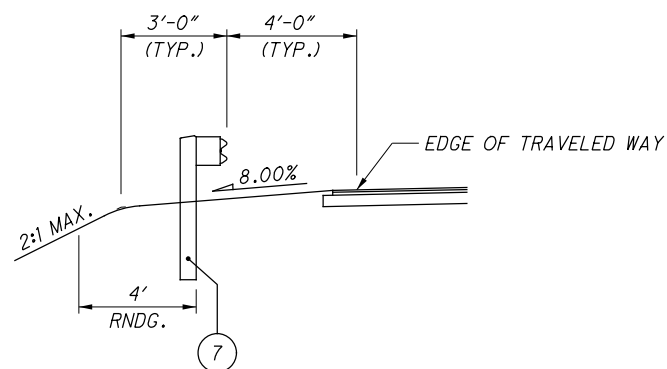
F:\37\37028\3702800\04\_CAD\TRNS\370280\_WAR-EDWARDSVILLE\Design\Roadway\Sheets\370280\_C\Y001.dgn Sheet 4/27/2020 2:26:27 PM ATStumbo

**LEGEND**

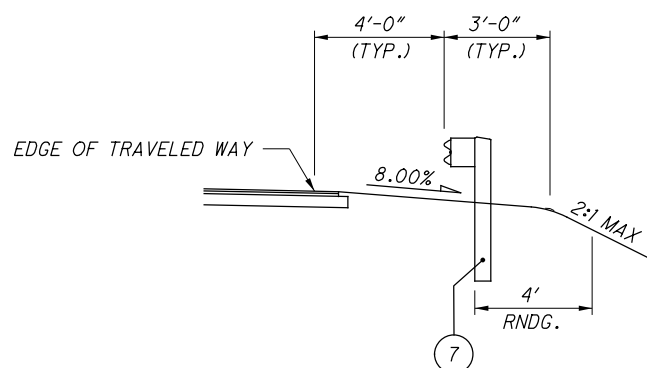
- (A) EXISTING ASPHALT CONCRETE
- (1) ITEM 441 - 1-1/2" ASPHALT CONCRETE SURFACE COURSE, TYPE 1, (448), PG64-22
- (2) ITEM 407 - TACK COAT (APPLY 0.10 GAL/SY BETWEEN EACH LIFT OF 441 ASPHALT CONCRETE PLACED)
- (3) ITEM 441 - 1-1/2" ASPHALT CONCRETE INTERMEDIATE COURSE, TYPE 1, (448), PG64-22
- (4) ITEM 301 - 8" ASPHALT CONCRETE BASE, PG64-22 (2, 4" EQUAL LIFTS)
- (5) ITEM 204 - SUBGRADE COMPACTION
- (6) ITEM 659 - SEEDING AND MULCHING
- (7) ITEM 606 - GUARDRAIL, TYPE MGS



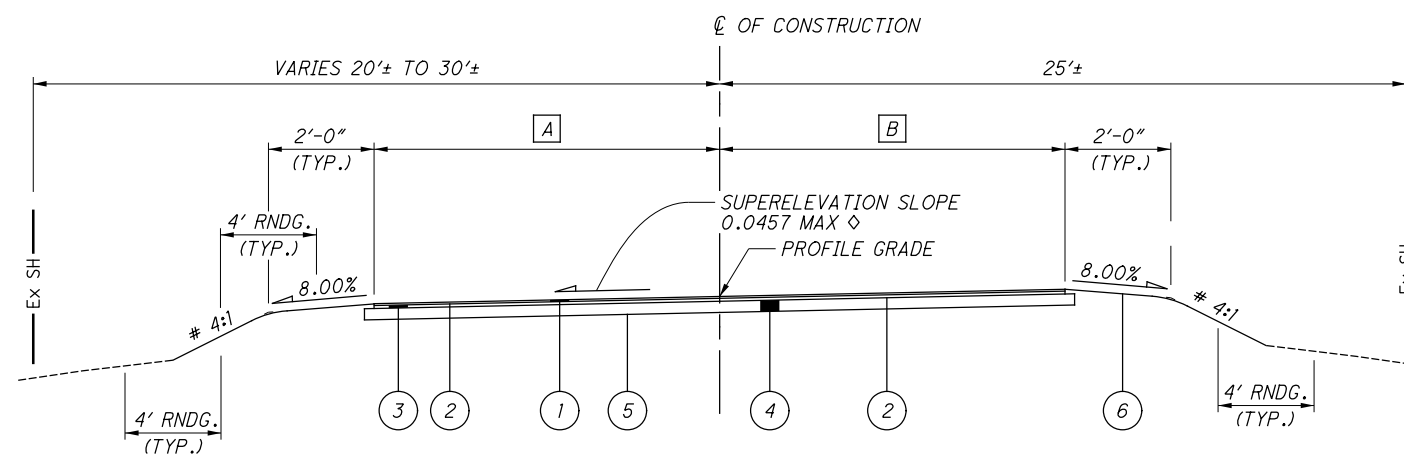
EDWARDSVILLE ROAD (C.R. 196) EXISTING SECTION



TYPICAL LEFT SIDE GUARDRAIL SECTION



TYPICAL RIGHT SIDE GUARDRAIL SECTION

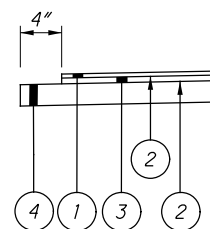


EDWARDSVILLE ROAD (C.R. 196) SUPERELEVATED SECTION

STA. 51+84.00 TO STA. 53+09.91 LT.  
 STA. 51+84.00 TO STA. 53+09.91 RT.  
 STA. 53+51.41 TO STA. 55+00.00 LT.  
 STA. 53+51.41 TO STA. 55+00.00 RT.

# OR AS SHOWN IN THE CROSS SECTIONS  
 ◇ SEE SHEET 14 FOR ACTUAL CROSS SLOPES

- A VARIES FROM 10'-5" AT STA. 51+84.00 TO 14'-0" AT STA. 53+09.91  
 VARIES FROM 14'-0" AT STA. 53+51.41 TO 7'-7" AT STA. 55+00.00
- B VARIES FROM 9'-0" AT STA. 51+84.00 TO 14'-0" AT STA. 53+09.91  
 VARIES FROM 14'-0" AT STA. 53+51.41 TO 9'-8" AT STA. 55+00.00



BASE AND SUBBASE STEP DETAIL

TYPICAL SECTIONS

WAR-C.R. 196-1.01

**UTILITIES**

LISTED BELOW ARE ALL UTILITIES LOCATED WITHIN THE PROJECT CONSTRUCTION LIMITS TOGETHER WITH THEIR RESPECTIVE OWNERS:

DAYTON POWER & LIGHT BILL WARD (937) 554-9063  
1900 DRYDEN RD.  
DAYTON, OHIO 45439

FRONTIER COMMUNICATIONS DAVE LONGWORTH (937) 283-5735  
241 SOUTH NELSON AVENUE  
WILMINGTON, OHIO 45177

WESTERN WATER COMPANY KURT MEEKER (513) 899-3211 EXT. 22  
1775 S.R. 28  
GOSHEN, OHIO 45122

THE LOCATION OF THE UNDERGROUND UTILITIES SHOWN ON THE PLANS ARE AS OBTAINED FROM THE OWNERS AS REQUIRED BY SECTION 153.64 O.R.C.

THE FOLLOWING ARE THE OUPS NUMBERS RESULTANT FROM THE ENGINEER'S REQUEST FOR PHYSICAL LOCATE AND UTILITY PRINTS FOR EXISTING UTILITIES:

MARCH 11, 2019  
OUPS REFERENCE #B905600555

ALL EXISTING UTILITIES HAVE BEEN SHOWN IN THEIR APPROXIMATE LOCATION ACCORDING TO THE BEST AVAILABLE INFORMATION. IT IS THE RESPONSIBILITY OF THE CONTRACTOR TO CONTACT ALL UTILITIES AT LEAST 48 HOURS PRIOR TO THE CONSTRUCTION TO VERIFY AND OBTAIN ACCURATE LOCATIONS OF SAID UNDERGROUND UTILITIES. IT IS THE RESPONSIBILITY OF THE CONTRACTOR TO VERIFY THE UTILITIES OF THE AREA.

OHIO UTILITIES PROTECTION SERVICE  
100 FEDERAL BUILDING EAST  
YOUNGSTOWN, OHIO 44503  
1-800-362-2764

**WORK LIMITS**

THE WORK LIMITS SHOWN ON THESE PLANS ARE FOR PHYSICAL CONSTRUCTION ONLY. PROVIDE THE INSTALLATION AND OPERATION OF ALL WORK ZONE TRAFFIC CONTROL AND WORK ZONE TRAFFIC CONTROL DEVICES REQUIRED BY THESE PLANS WHETHER INSIDE OR OUTSIDE THESE WORK LIMITS.

**ROUNDING**

THE ROUNDING AT SLOPE BREAKPOINTS SHOWN ON THE TYPICAL SECTIONS APPLIES TO ALL CROSS-SECTIONS EVEN THOUGH OTHERWISE SHOWN.

**EXISTING PLANS**

EXISTING PLANS MAY BE INSPECTED IN THE WARREN COUNTY ENGINEER'S OFFICE IN LEBANON, OHIO.

**ITEM 204 - PROOF ROLLING**

THE FOLLOWING QUANTITY IS PROVIDED IN THE GENERAL SUMMARY TO ADDRESS LOCATIONS REQUIRING PROOF ROLLING.

ITEM 204 - PROOF ROLLING 1 HOUR.

**SURVEYING PARAMETERS**

PRIMARY PROJECT CONTROL MONUMENTS GOVERN ALL POSITIONING ON WARREN COUNTY ENGINEER'S OFFICE PROJECTS. SEE SHEET 8 OF THE PLANS FOR A TABLE CONTAINING PROJECT CONTROL INFORMATION.

USE THE FOLLOWING PROJECT CONTROL, VERTICAL POSITIONING, AND HORIZONTAL POSITIONING PARAMETERS FOR ALL SURVEYING:

**PROJECT CONTROL**

POSITIONING METHOD: ODOT VRS  
MONUMENT TYPE: TYPE B

**VERTICAL POSITIONING**

ORTHOMETRIC HEIGHT DATUM: NAVD29  
GEOID: 12A

**HORIZONTAL POSITIONING**

REFERENCE FRAME: NAD83(2011)  
ELLIPSOID: GRS80  
MAP PROJECTION: LAMBERT CONFORMAL CONIC  
COORDINATE SYSTEM: OHIO STATE PLANE, SOUTH ZONE  
COMBINED SCALE FACTOR: 1.00009753  
ORIGIN OF COORDINATE SYSTEM: 0,0

USE THE POSITIONING METHODS AND MONUMENT TYPE USED IN THE ORIGINAL SURVEY TO RESTORE ALL MONUMENTS RELATED TO PRIMARY PROJECT CONTROL THAT ARE DAMAGED OR DESTROYED BY CONSTRUCTION ACTIVITIES. RESTORE THE DAMAGED OR DESTROYED MONUMENTS IN ACCORDANCE WITH CMS 623.

UNITS ARE IN U.S. SURVEY FEET.

**CLEARING AND GRUBBING**

REMOVE ALL TREES AND STUMPS SPECIFICALLY MARKED FOR REMOVAL WITHIN THE CONSTRUCTION LIMITS UNDER THE LUMP SUM BID FOR ITEM 201, CLEARING AND GRUBBING. THE FOLLOWING IS AN APPROXIMATE ESTIMATE OF THE NUMBER OF TREES AND STUMPS TO BE REMOVED.

SIZES	NO. TREES	NO. STUMPS	TOTAL
18"	1		1
30"	1		1
36"	2		2

**SAW CUTTING EXISTING PAVEMENT**

WHERE THE PLANS CALL FOR SAW CUTTING NEAT LINES ALONG THE EXISTING ASPHALT AND CONCRETE SURFACES, THE SAW CUT SHALL BE FULL DEPTH. THE COST FOR SAW CUTS REQUIRED SHALL BE INCLUDED IN THE UNIT PRICE BID FOR THE PERTINENT PAVEMENT ITEM WHERE SAW CUTTING IS NEEDED.

**ITEM 606 - ANCHOR ASSEMBLY, MGS TYPE E**

THIS ITEM SHALL CONSIST OF FURNISHING AND INSTALLING ANY OF THE GUARDRAIL END TERMINALS FOR TYPE MGS GUARDRAIL AS LISTED ON ROADWAY ENGINEERING'S WEB PAGE UNDER ROADSIDE SAFETY DEVICES FOR APPROVED GUARDRAIL END TREATMENTS. INSTALLATION SHALL BE AT THE LOCATIONS SPECIFIED IN THE PLANS, IN ACCORDANCE WITH THE MANUFACTURER'S SPECIFICATIONS.

THE FACE OF THE TYPE E IMPACT HEAD SHALL BE COVERED WITH A SHEET OF TYPE G REFLECTIVE SHEETING, PER CMS 730.19.

REFER TO THE MANUFACTURER'S INSTRUCTIONS REGARDING THE INSTALLATION OF, AND THE GRADING AROUND THE FOUNDATION TUBES AND GROUND STRUT. THE TOP OF ANY FOUNDATION TUBE SHOULD BE LESS THAN 4 INCHES ABOVE THE GROUND. THE PLACEMENT OF THE FOUNDATION TUBES SHOULD BE AN APPROPRIATE DEPTH BELOW THE LEVEL LINE IN ORDER TO MAINTAIN THE FINISHED GUARDRAIL HEIGHT OF 31 INCHES FROM THE EDGE OF THE SHOULDER.

ON-SITE GRADING IS REQUIRED IF THE TOP OF THE FOUNDATION TUBES OR TOP OF THE GROUND STRUT DOES PROJECT MORE THAN 4 INCHES ABOVE THE GROUND LINE.

PAYMENT FOR THE ABOVE WORK SHALL BE MADE AT THE UNIT PRICE BID FOR ITEM 606, ANCHOR ASSEMBLY, MGS TYPE E, EACH, AND SHALL INCLUDE ALL LABOR, TOOLS, EQUIPMENT AND MATERIALS NECESSARY TO CONSTRUCT A COMPLETE AND FUNCTIONAL ANCHOR ASSEMBLY SYSTEM, INCLUDING ALL RELATED TRANSITIONS, REFLECTIVE SHEETING, HARDWARE, GRADING, EMBANKMENT AND EXCAVATION NOT SEPARATELY SPECIFIED, AS REQUIRED BY THE MANUFACTURER.

**SEEDING AND MULCHING**

THE FOLLOWING QUANTITIES ARE PROVIDED TO PROMOTE GROWTH AND CARE OF PERMANENT SEEDED AREAS:

659, TOPSOIL	75 CU. YD.
659, SEEDING AND MULCHING	667 SQ. YD.
659, COMMERCIAL FERTILIZER	0.10 TON
659, LIME	0.14 ACRES
659, WATER	4 M. GAL.

SEEDING AND MULCHING SHALL BE APPLIED TO ALL AREAS OF EXPOSED SOIL BETWEEN THE RIGHT-OF-WAY LINES, AND WITHIN THE CONSTRUCTION LIMITS FOR AREAS OUTSIDE THE RIGHT-OF-WAY LINES COVERED BY WORK AGREEMENT OR SLOPE EASEMENT. QUANTITY CALCULATIONS FOR SEEDING AND MULCHING ARE BASED ON THESE LIMITS.

**BENCHING OF FOUNDATION SLOPES**

ALTHOUGH CROSS-SECTIONS INDICATE SPECIFIC DIMENSIONS FOR PROPOSED BENCHING OF THE EMBANKMENT FOUNDATIONS IN CERTAIN AREAS, NO WAIVER OF THE SPECIFICATIONS IS INTENDED. BENCH ALL OTHER SLOPED EMBANKMENT AREAS AS SET FORTH IN 203.05. NO ADDITIONAL PAYMENT WILL BE MADE FOR BENCHING REQUIRED UNDER THE PROVISIONS OF 203.05.

**ITEM 630 - REMOVAL OF GROUND MOUNTED SIGN AND STORAGE, AS PER PLAN**

ALL EXISTING SIGNS AND POSTS DESIGNATED FOR REMOVAL SHALL BE STORED IN A SECURE LOCATION AT THE PROJECT SITE FOR PICK-UP BY WARREN COUNTY ENGINEER'S OFFICE FORCES. ALL COSTS FOR REMOVAL AND STORAGE OF THE EXISTING SIGNS AND POSTS, SHALL BE INCLUDED IN THE UNIT PRICE BID.

**ITEM 606 - MGS BRIDGE TERMINAL ASSEMBLY, TYPE 1, AS PER PLAN**

THIS ITEM SHALL CONFORM TO CMS ITEM 606 AND SCD MGS-3.1 WITH THE ADDITIONAL REQUIREMENTS BELOW.

AS SHOWN IN THESE PLANS ON SHEET 8, THE CONTRACTOR SHALL OMIT THE 6'3" SECTION OF THRI-BEAM RAIL FROM POST 8 TO 11 FROM THE TERMINAL ASSEMBLY LOCATED IN THE SOUTH WEST QUADRANT OF THE BRIDGE.

PAYMENT FOR THE ABOVE WORK SHALL BE MADE AT THE UNIT PRICE BID FOR ITEM 606, MGS BRIDGE TERMINAL ASSEMBLY, TYPE 1, AS PER PLAN EACH AND SHALL INCLUDE ALL LABOR, TOOLS, EQUIPMENT AND MATERIALS NECESSARY TO CONSTRUCT A COMPLETE AND FUNCTIONAL BRIDGE TERMINAL ASSEMBLY, INCLUDING ALL RELATED TRANSITIONS, HARDWARE, GRADING, EMBANKMENT AND EXCAVATION NOT SEPARATELY SPECIFIED IN THE PLANS AS REQUIRED BY THE SCD MGS-3.1.

CALCULATED  
ATS  
CHECKED  
VAG

GENERAL NOTES

WAR-C.R. 196-1.01

3  
26

**ITEM 614, MAINTAINING TRAFFIC**

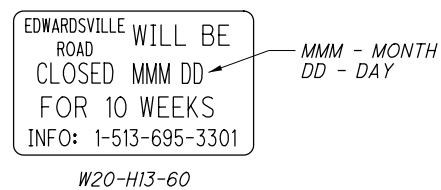
A MINIMUM OF ONE LANE OF TRAFFIC IN EACH DIRECTION SHALL BE MAINTAINED AT ALL TIMES, EXCEPT FOR A PERIOD NOT TO EXCEED 10 WEEKS, WHEN THROUGH TRAFFIC MAY BE DETOURED AS SHOWN ON SHEET 5.

NOTICE OF CLOSURE SIGNS (W20-H13), SHALL BE ERECTED BY THE CONTRACTOR PRIOR TO THE SCHEDULED ROAD OR RAMP CLOSURE IN ACCORDANCE WITH THE NOTICE OF CLOSURE TIME TABLE BELOW.

THE SIGNS SHALL BE ERECTED ON THE RIGHT-HAND SIDE OF THE ROAD/RAMP FACING TRAFFIC. THEY SHALL BE PLACED SO AS NOT TO INTERFERE WITH THE VISIBILITY OF ANY OTHER TRAFFIC CONTROL SIGNS. ON ROADWAYS, THEY SHOULD BE ERECTED AT OR NEAR THE POINT OF CLOSURE.

NOTICE OF CLOSURE SIGN TIME TABLE		
ITEM	DURATION OF CLOSURE	SIGN DISPLAYED TO PUBLIC
RAMP AND ROAD CLOSURES	>= 2 WEEKS	14 CALENDAR DAYS PRIOR TO CLOSURE
	> 12 HOURS & < 2 WEEKS	7 CALENDAR DAYS PRIOR TO CLOSURE
	<= 12 HOURS	2 BUSINESS DAYS PRIOR TO CLOSURE

THE SIGN SHALL DISPLAY THE DATE OF THE CLOSURE IN MMM-DD FORMAT AND THE NUMBER OF WEEKS OF THE CLOSURE. THE LAST LINE OF THE W20-H13 SIGN LISTS A PHONE NUMBER WHICH A MOTORIST MAY CALL FOR ADDITIONAL INFORMATION.



THE CONTRACTOR SHALL PROVIDE, ERECT AND MAINTAIN STANDARD 48 X 30 INCH ROAD CLOSED SIGNS, SIGN SUPPORTS, BARRICADES AND LIGHTS, AS DETAILED IN SCD MT-101.60 AT THE LOCATIONS SHOWN ON THE DETOUR MAP SHOWN ON SHEET 5 DURING PERIODS IN WHICH THE AFFECTED ROADS ARE CLOSED TO TRAFFIC.

ALL WORK AND TRAFFIC CONTROL DEVICES SHALL BE IN ACCORDANCE WITH C&MS 614 AND OTHER APPLICABLE PORTIONS OF THE SPECIFICATIONS, AS WELL AS THE OHIO MANUAL OF UNIFORM TRAFFIC CONTROL DEVICES. PAYMENT FOR ALL LABOR, EQUIPMENT AND MATERIALS SHALL BE INCLUDED IN THE LUMP SUM CONTRACT PRICE FOR ITEM 614, MAINTAINING TRAFFIC, UNLESS SEPARATELY ITEMIZED IN THE PLAN.

**MAILBOXES**

MAILBOXES MUST BE KEPT IN SERVICE AND ACCESSIBLE AT ALL TIMES TO THE U.S. POSTAL SERVICE.

**NOTIFICATION OF TRAFFIC RESTRICTIONS**

THROUGHOUT THE DURATION OF THE PROJECT, THE CONTRACTOR SHALL NOTIFY THE PROJECT ENGINEER IN WRITING OF ALL TRAFFIC RESTRICTIONS AND UPCOMING MAINTENANCE OF TRAFFIC CHANGES. THE CONTRACTOR SHALL ENSURE THE WRITTEN NOTIFICATION IS SUBMITTED IN A TIMELY MANNER TO ALLOW THE PROJECT ENGINEER TO MEET THE REQUIRED TIME FRAMES SET FORTH IN THE TABLE BELOW. THIS NOTIFICATION SHALL BE RECEIVED BY THE PROJECT ENGINEER PRIOR TO THE PHYSICAL SETUP OF ANY APPLICABLE SIGNS OR MESSAGE BOARDS.

INFORMATION SHOULD INCLUDE, BUT IS NOT LIMITED TO, ALL CONSTRUCTION ACTIVITIES THAT IMPACT OR INTERFERE WITH TRAFFIC AND SHALL LIST THE SPECIFIC LOCATION, TYPE OF WORK, ROAD STATUS, DATE AND TIME OF RESTRICTION, DURATION OF RESTRICTION, NUMBER OF LANES MAINTAINED, NUMBER OF LANES CLOSED, MINIMUM VERTICAL CLEARANCE, MINIMUM WIDTH OF DRIVABLE PAVEMENT, DETOUR ROUTES, IF APPLICABLE, AND ANY OTHER INFORMATION REQUESTED BY THE PROJECT ENGINEER.

NOTIFICATION TIME TABLE		
ITEM	DURATION OF CLOSURE	NOTICE DUE TO PERMITS & PIO
RAMP AND ROAD CLOSURES	>= 2 WEEKS	21 CALENDAR DAYS PRIOR TO CLOSURE
	> 12 HOURS & < 2 WEEKS	14 CALENDAR DAYS PRIOR TO CLOSURE
	<= 12 HOURS	4 BUSINESS DAYS PRIOR TO CLOSURE
LANE CLOSURES AND RESTRICTIONS	>= 2 WEEKS	14 CALENDAR DAYS PRIOR TO CLOSURE
	< 2 WEEKS	5 BUSINESS DAYS PRIOR TO CLOSURE
START OF CONSTRUCTION AND TRAFFIC PATTERN CHANGES		14 CALENDAR DAYS PRIOR TO IMPLEMENTATION

ANY UNFORESEEN CONDITIONS NOT SPECIFIED IN THE PLANS REQUIRING TRAFFIC RESTRICTIONS SHALL ALSO BE REPORTED TO THE PROJECT ENGINEER USING THE NOTIFICATION TIME TABLE.

**DRIVEWAY NOTE**

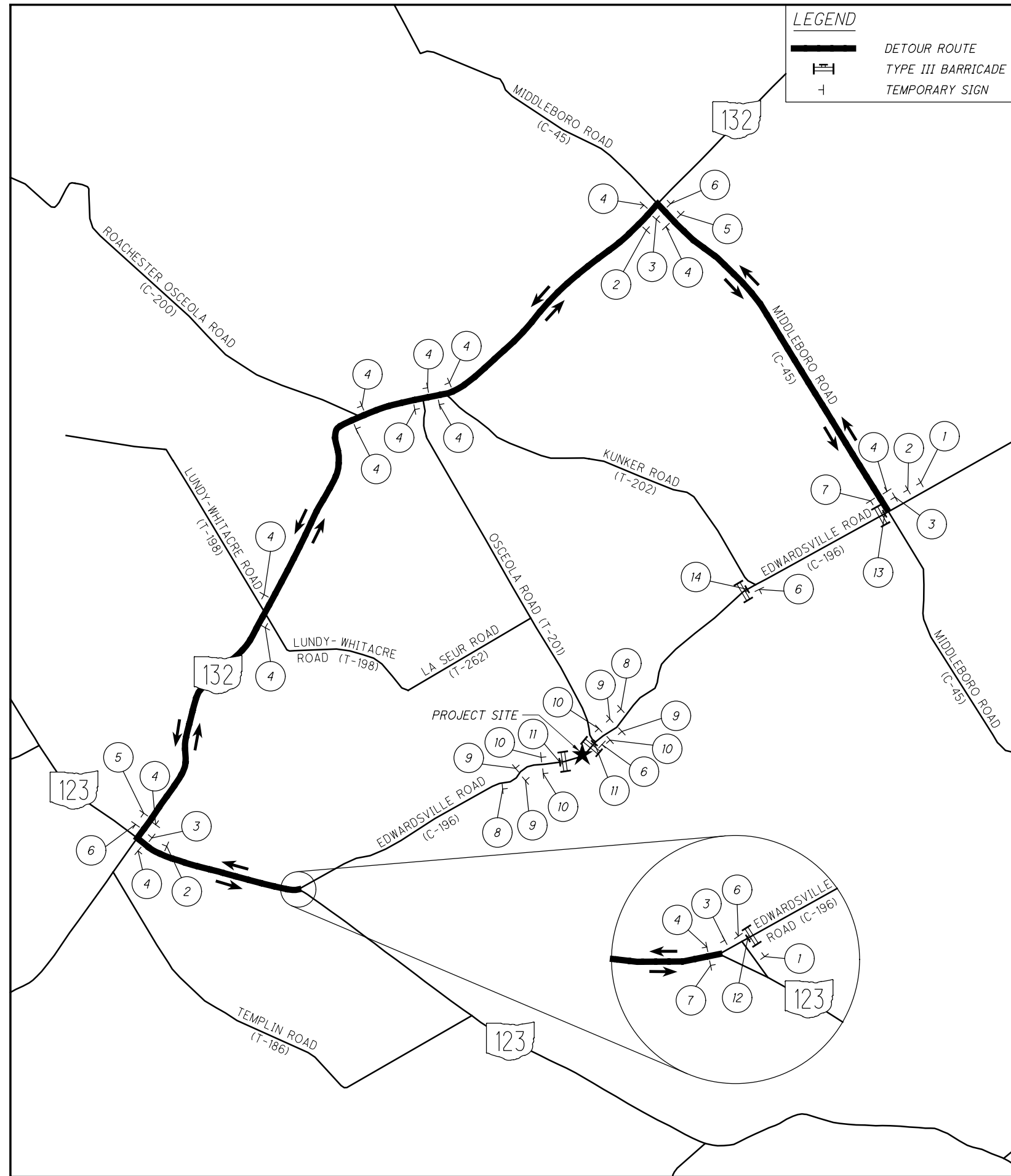
THE CONTRACTOR SHALL NOTIFY EACH PROPERTY OWNER 3 DAYS BEFORE THE OWNER'S DRIVE WILL BE PLACED OR AS IMPACTED BY THE WORK. THE CONTRACTOR MAY NEED TO PLACE HALF OF THE DRIVE AT A TIME (OR ONLY ONE OF SEVERAL DRIVES AT A TIME) FOR SOME OF THE PROPERTIES TO MAINTAIN ACCESS. THE CONTRACTOR SHALL MAKE EVERY EFFORT TO WORK OUT AN AGREEABLE SOLUTION WITH EACH OWNER TO MAINTAIN ACCESS FOR THE OWNERS. PAYMENT SHALL BE INCLUDED WITH THE RESPECTIVE DRIVEWAY ITEM.

F:\37\37028\3702800\04\_CAD\TRNS\3702800\_WAR-EDWARDSVILLE\Design\M01\_Sheets\3702800\_MN001.dgn Sheet 4/27/2020 2:26:29 PM ATStumbo

CALCULATED  
ATS  
CHECKED  
VAG

**MAINTENANCE OF TRAFFIC GENERAL NOTES**

**WAR-C.R. 196-1.01**



**LEGEND**

- DETOUR ROUTE
- TYPE III BARRICADE
- TEMPORARY SIGN

<p>1</p> <p>W20-2-36</p>	<p>2</p> <p>D3-1-VAR M4-9R-30 ADVANCE RIGHT TURN</p>	<p>3</p> <p>D3-1-VAR M4-9R-30</p>	<p>4</p> <p>D3-1-VAR M4-9-30 THRU</p>
<p>5</p> <p>D3-1-VAR M4-9R-30 ADVANCE LEFT TURN</p>	<p>6</p> <p>D3-1-VAR M4-9L-30</p>	<p>7</p> <p>M4-8A-12</p>	<p>8</p> <p>W20-1-36</p>
<p>9</p> <p>W20-3-36 W16-2AP-30</p>		<p>10</p> <p>W20-3-36 W16-2AP-30</p>	
<p>11</p> <p>WARNING LIGHT PER MT-101.60</p> <p>R11-2-48 TYPE 3 BARRICADE</p>	<p>12</p> <p>WARNING LIGHT PER MT-101.60</p> <p>R11-3b-60 M4-10L-48 TYPE 3 BARRICADE</p>	<p>13</p> <p>WARNING LIGHT PER MT-101.60</p> <p>R11-3b-60 M4-10R-48 TYPE 3 BARRICADE</p>	
<p>14</p> <p>WARNING LIGHT PER MT-101.60</p> <p>R11-3b-60 TYPE 3 BARRICADE</p>			



F:\37\37028\3702800\04\_CAD\TRNS\370280\_WAR-EDWARDSVILL\Design\Roadway\Sheets\370280\_CG001.dgn Sheet 4/21/2020 2:26:31PM ATStumbo

SHEET NUMBER												PARTICIPATION		ITEM	ITEM EXT.	GRAND TOTAL	UNIT	DESCRIPTION	SEE SHEET NO.
3	7	15	17								LOCAL								
<b>ROADWAY</b>																			
											LS	201	11000	LS		CLEARING AND GRUBBING			
	42										42	202	38000	42	FT	GUARDRAIL REMOVED			
	26										26	202	75000	26	FT	FENCE REMOVED			
	215										215	203	10000	215	CY	EXCAVATION			
	48										48	203	20000	48	CY	EMBANKMENT			
	790	61									851	204	10000	851	SY	SUBGRADE COMPACTION			
1											1	204	45000	1	HOURL	PROOF ROLLING			
	187.5										187.5	606	15050	187.5	FT	GUARDRAIL, TYPE MGS			
	1										1	606	26150	1	EACH	ANCHOR ASSEMBLY, MGS TYPE E, NCHRP 350 OR MASH 2016	3		
	3										3	606	26550	3	EACH	ANCHOR ASSEMBLY, MGS TYPE T			
	3										3	606	35002	3	EACH	MGS BRIDGE TERMINAL ASSEMBLY, TYPE 1			
	1										1	606	35003	1	EACH	MGS BRIDGE TERMINAL ASSEMBLY, TYPE 1, AS PER PLAN	3		
	1										1	SPECIAL	69050350	1	EACH	MAILBOX REMOVED AND RESET			
<b>EROSION CONTROL</b>																			
	75										75	659	00300	75	CY	TOPSOIL			
	667										667	659	10000	667	SY	SEEDING AND MULCHING			
	0.10										0.10	659	20000	0.10	TON	COMMERCIAL FERTILIZER			
	0.14										0.14	659	31000	0.14	ACRE	LIME			
	4										4	659	35000	4	MGAL	WATER			
											2,500	832	30000	2,500	EACH	EROSION CONTROL			
<b>PAVEMENT</b>																			
	160	5									165	301	46000	165	CY	ASPHALT CONCRETE BASE, PG64-22			
		3									3	304	20000	3	CY	AGGREGATE BASE			
	166	3									169	407	10000	169	GAL	TACK COAT			
	35										35	441	50000	35	CY	ASPHALT CONCRETE SURFACE COURSE, TYPE 1, (448), PG64-22			
	39										39	441	50200	39	CY	ASPHALT CONCRETE INTERMEDIATE COURSE, TYPE 1, (448)			
		3									3	441	50400	3	CY	ASPHALT CONCRETE SURFACE COURSE, TYPE 1, (448), (DRIVEWAYS)			
<b>TRAFFIC CONTROL</b>																			
	10										10	626	00110	10	EACH	BARRIER REFLECTOR, TYPE 2, BI-DIRECTIONAL			
			4								4	630	85001	4	EACH	REMOVAL OF GROUND MOUNTED SIGN AND STORAGE, AS PER PLAN	3		
			1								1	630	86002	1	EACH	REMOVAL OF GROUND MOUNTED POST SUPPORT AND DISPOSAL			
			0.12								0.12	644	00100	0.12	MILE	EDGE LINE, 4"			
			0.06								0.06	644	00300	0.06	MILE	CENTER LINE			
<b>STRUCTURES OVER 20' SPAN</b>																			
SEE SHEET 21/26																			
<b>INCIDENTALS</b>																			
											LS	614	11000	LS		MAINTAINING TRAFFIC			
											LS	623	10000	LS		CONSTRUCTION LAYOUT STAKES AND SURVEYING			
											LS	624	10000	LS		MOBILIZATION			

**GENERAL SUMMARY**

**WAR-C.R. 196-1.01**

F:\37\37028\3702800\04\_CAD\TRNS\370280\_WAR-EDWARDSVILL\Design\Roadway\Sheets\370280\_CS001.dgn Sheet 4/27/2020 2:26:32 PM ATSTumbo

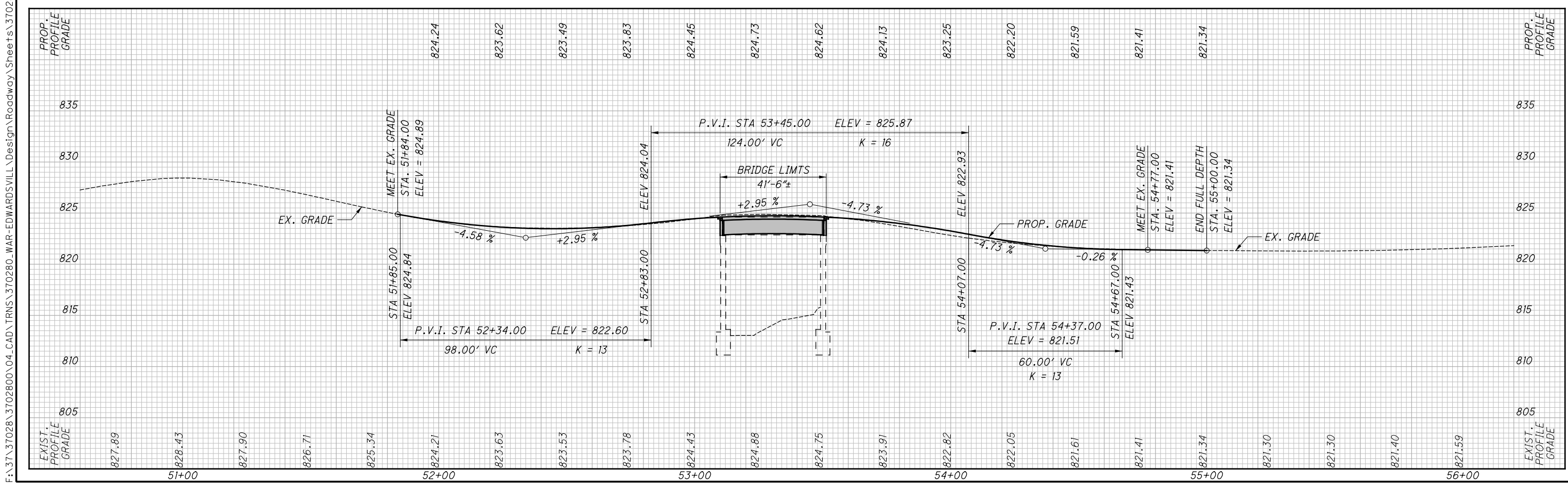
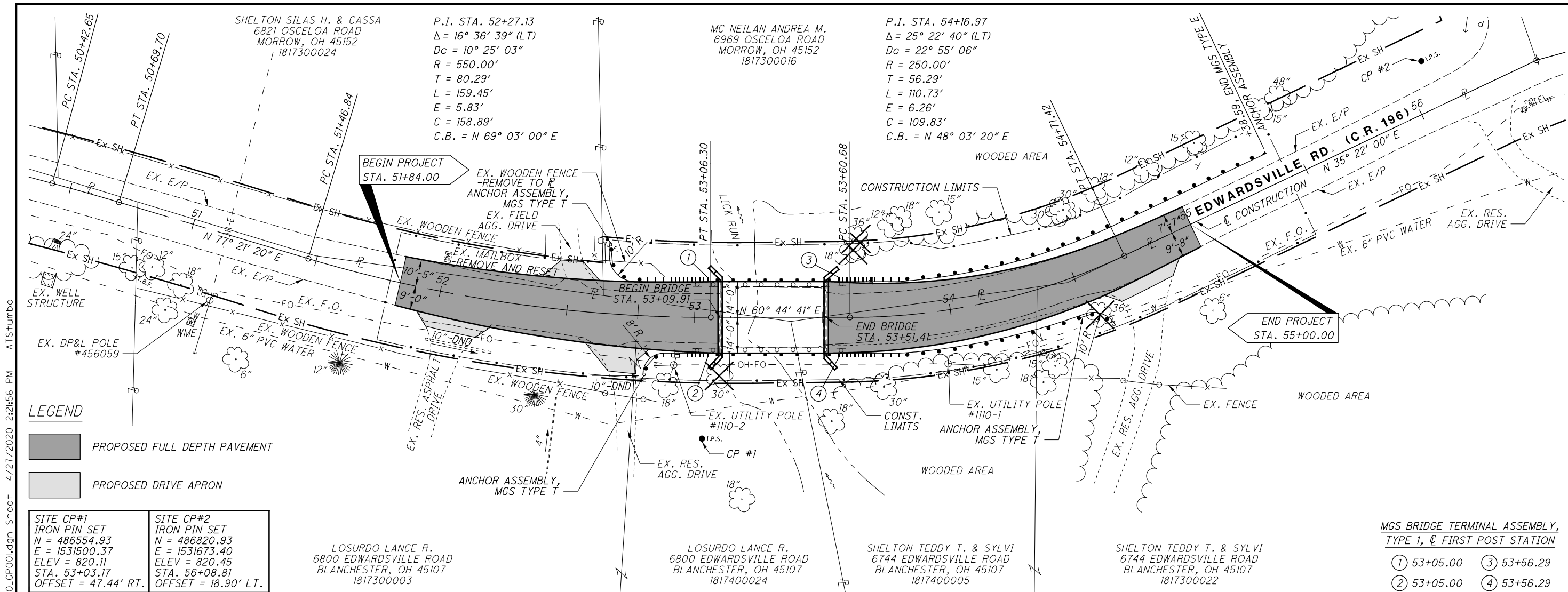
STATION TO STATION	SIDE	LENGTH L	AVERAGE WIDTH W	SURFACE AREA A A = L x W	CADD GENERATED AREAS	204	301	407	441	441	606	606	606	606	606	690	202	202	626
						SUBGRADE COMPACTION	8" ASPHALT CONCRETE BASE, PG64-22	TACK COAT	1-1/2" ASPHALT CONCRETE SURFACE COURSE, TYPE 1, (448), PG64-22	1-1/2" ASPHALT CONCRETE INTERMEDIATE COURSE, TYPE 1, (448), PG64-22	GUARDRAIL, TYPE MGS	ANCHOR ASSEMBLY, MGS TYPE E, NCHRP 350 OR WASH 2016	ANCHOR ASSEMBLY, MGS TYPE T	MGS BRIDGE TERMINAL ASSEMBLY, TYPE 1, AS PER PLAN	MGS BRIDGE TERMINAL ASSEMBLY, TYPE 1	SPECIAL - MAILBOX REMOVED AND RESET	FENCE REMOVED	GUARDRAIL REMOVED	BARRIER REFLECTOR, TYPE 2, BI-DIRECTIONAL
						SQ. YD.	CU. YD.	GAL.	CU. YD.	CU. YD.	FT.	EACH	EACH	EACH	EACH	EACH	FT.	FT.	EACH
51+84.00	53+09.08	LT.	125.08	12.10	1,513	188	38	34	7	7									
51+84.00	53+09.08	RT.	125.08	11.63	1,455	183	37	32	7	7									
53+09.08	53+52.24	LT.	43.16	14.00	604			13	3	5									
53+09.08	53+52.24	RT.	43.16	14.00	604			13	3	5									
53+52.24	55+00.00	LT.	147.76	10.38	1,534	194	39	34	7	7									
53+52.24	55+00.00	RT.	147.76	12.14	1,794	225	46	40	8	8									
52+64.53	53+08.50	LT.									12.5		1		1				
52+80.88	53+08.50	RT.											1	1					
53+52.83	55+38.59	LT.									100	1			1				
53+52.83	54+57.80	RT.									75		1		1				
	52+00.52	LT.														1			
52+62.43	52+87.80	LT.															26		
52+99.09	53+09.91	LT.																	11
52+99.31	53+09.91	RT.																	11
53+51.41	53+61.83	LT.																	10
53+51.41	53+61.59	RT.																	10
52+64.53	55+38.59	LT.																	6
52+80.88	54+59.80	RT.																	4
<b>TOTALS CARRIED TO GENERAL SUMMARY</b>						790	160	166	35	39	187.5	1	3	1	3	1	26	42	10

SHEET NO.	STATION		203	203
			EXCAVATION	EMBANKMENT
	FROM	TO	CU. YD.	CU. YD.
9	51+00.00	51+75.00	0	0
10	51+75.00	52+50.00	56	3
11	52+50.00	53+51.41	51	7
12	53+51.41	54+75.00	84	31
13	54+75.00	56+00.00	24	7
<b>TOTALS CARRIED TO GENERAL SUMMARY</b>			215	48

**SUBSUMMARIES**

**WAR - C.R. 196 - 1.01**

CALCULATED  
ATS  
CHECKED  
VAG



**PLAN AND PROFILE**  
**STA. 50+60.00 TO STA. 56+20.00**

F:\37\37028\3702800\04\_CAD\TRNS\370280\_WAR-EDWARDSVILLE\Design\Roadway\_Sheets\370280\_CP001.dgn Sheet 4/21/2020 2:21:56 PM ATStumbo

F:\37\37028\3702800\04\_CAD\TRNS\370280\_WAR-EDWARDSVILL\Design\Roadway\Sheets\370280\_XS001.dgn XS\_SHEET\_temporary\_model\_name.J 4/27/2020 2:26:35 PM ATStumbo

SEEDING	
END WIDTH	SO. YDS.

END AREA		VOLUME		CALCULATED	
CUT	FILL	CUT	FILL	ATS	VAG



**CROSS SECTIONS**  
**STA. 51+00.00 TO STA. 51+75.00**

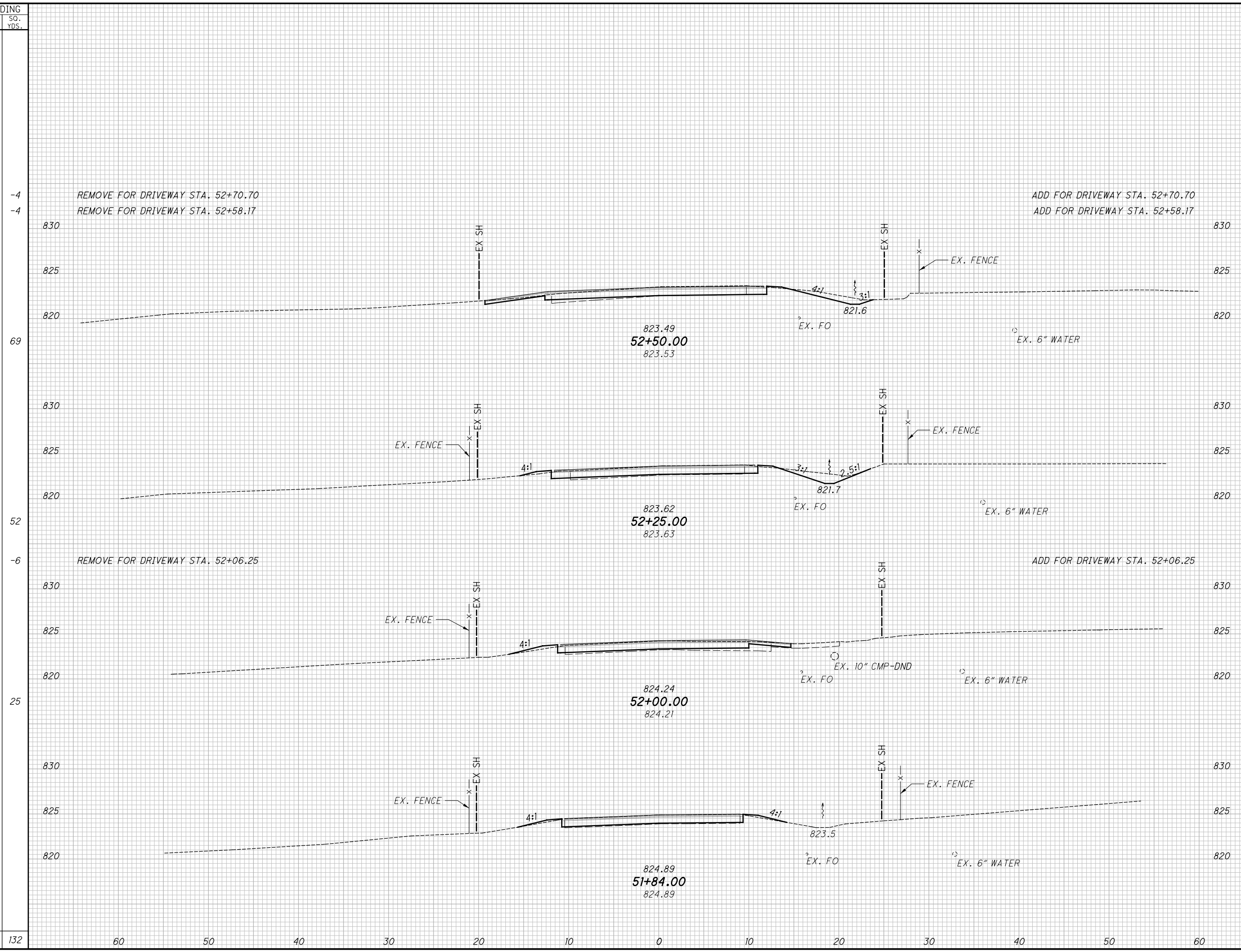
**WAR-C.R. 196-1.01**

9  
26



F:\37\37028\3702800\04\_CAD\TRNS\370280\_WAR-EDWARDSVILL\Design\Roadway\Sheets\370280\_XS001.dgn XS\_SHEET\_temporary\_model\_name\_2 4/27/2020 2:26:37 PM ATStumbo

SEEDING	
END WIDTH	SO. YDS.
60	132
50	
40	
30	
20	
10	
0	
10	
20	
30	
40	
50	
60	



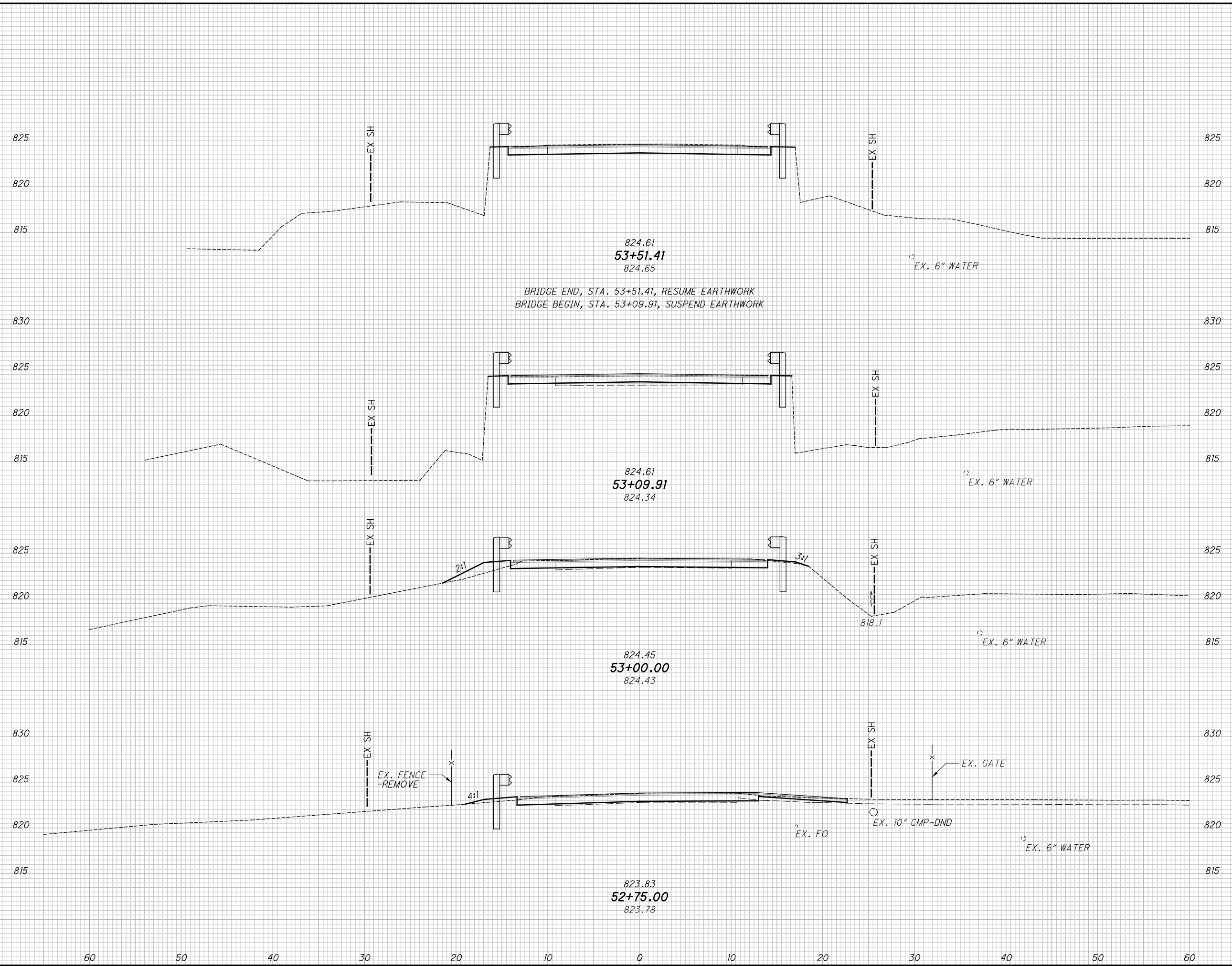
END AREA	VOLUME	CALCULATED	
		CUT	FILL
		2	0
		1	0
25	2		
		23	1
25	1		
		19	1
		1	0
17	1		
		10	1
18	1		
		56	3

**CROSS SECTIONS**  
**STA. 51+84.00 TO STA. 52+50.00**  
**WAR-C.R. 196-1.01**

10  
26

F:\37\37028\3702800\04\_CAD\TRNS\370280\_WAR-EDWARDSVILL\Design\Roadway\Sheets\370280\_XS001.dgn XS\_SHEET\_temporary\_model\_name\_3 4/27/2020 2:26:39 PM ATStumbo

SEEDING	END AREA		VOLUME		CALCULATED	CHECKED	VAG
	CUT	FILL	CUT	FILL			
9	28	0					
10	22	0	8	1			
16	24	6					
17	21	4					
42	22	2					
53			22	2			
111			51	7			

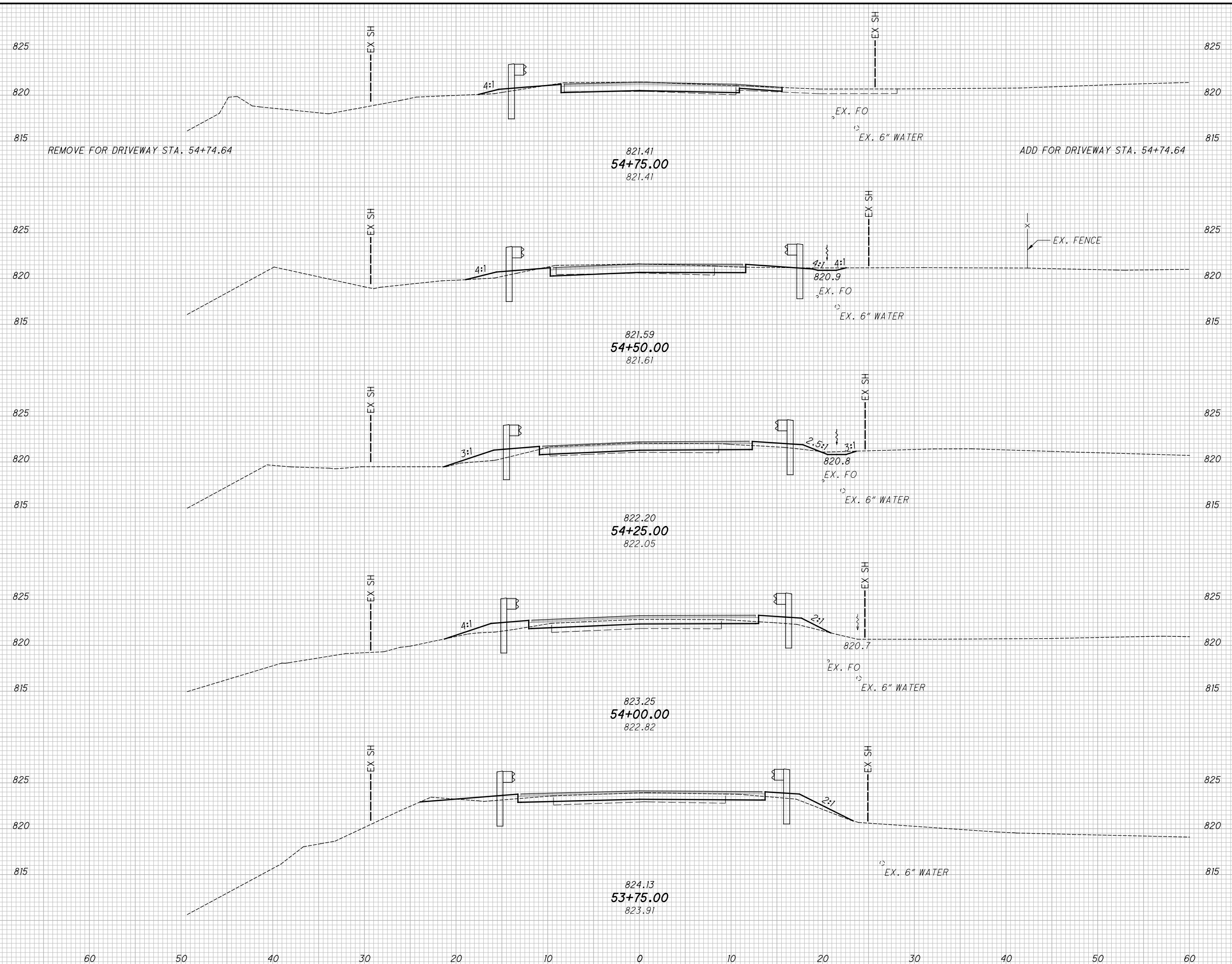


END AREA	VOLUME		CALCULATED	CHECKED	VAG
	CUT	FILL			
28	0				
22	0	8	1		
24	6				
21	4				
22	2				
		22	2		
		51	7		

**CROSS SECTIONS**  
**STA. 52+75.00 TO STA. 53+51.41**  
**WAR-C.R. 196-1.01**

F:\37\37028\3702800\04\_CAD\TRANS\370280\_WAR-EDWARDSVILL\Design\Roadway\Sheets\370280\_XS001.dgn XS\_SHEET\_temporary\_model\_name\_4 4/27/2020 2:26:41PM AT5+Jumbo

SEEDING	
END WIDTH	SO. YDS.
17	61
25	75
27	72
23	69
26	48
316	



END	AREA		VOLUME	
	CUT	FILL	CUT	FILL
17	18	2	2	0
25	20	3	18	2
27	18	9	13	9
23	11	10	13	8
26	18	7	20	6
316			84	31

**CROSS SECTIONS**  
**STA. 53+75.00 TO STA. 54+75.00**

**WAR-C.R. 196-1.01**

CALCULATED	ATS
CHECKED	VAG

12
26

F:\37\37028\3702800\04\_CAD\TRANS\370280\_WAR-EDWARDSVILL\Design\Roadway\Sheets\370280\_XS001.dgn XS\_SHEET\_temporary\_model\_name\_5 4/27/2020 2:26:44 PM ATStumbo

SEEDING	
END WIDTH	SO. YDS.
108	53
	20
	55
18	55



END AREA	VOLUME	CALCULATED	CHECKED	VAG
0	4			
	8			
17	5			
	16			
	24			

**CROSS SECTIONS**  
**STA. 54+77.00 TO STA. 55+50.00**

**WAR-C.R. 196-1.01**

13  
26



**SUPERELEVATION TABLE**

P.I. STATION 52+27.13

Dc = 10°25'03"

LEFT SIDE					CENTERLINE CONTROL		RIGHT SIDE					REMARKS
EDGE ELEVATION	TRANSITION RATE	ELEVATION CORRECTION	CROSS SLOPE	WIDTH	STATION	PROFILE GRADE	WIDTH	CROSS SLOPE	ELEVATION CORRECTION	TRANSITION RATE	EDGE ELEVATION	
824.49	772:1	-0.40	-0.0382#	10.45	51+84.00	824.89	9.01	0.0098#	0.09	995:1	824.98	
823.82		-0.42	-0.0386	10.91	52+00.00	824.24	9.65	0.0108	0.10		824.34	
823.39		-0.44	-0.0390	11.30	52+13.99	823.84	10.21	0.0116	0.12		823.95	F.S.
823.17	138:1	-0.45	-0.0390	11.62	52+25.00	823.62	10.65	0.0116	0.12	135:1	823.75	
823.00		-0.48	-0.0390	12.32	52+50.00	823.49	11.64	0.0116	0.14		823.62	
823.09		-0.49	-0.0390	12.65	52+61.48	823.58	12.10	0.0116	0.14		823.72	F.S.
823.43		-0.40	-0.0308	13.03	52+75.00	823.83	12.64	0.0040	0.05		823.88	
824.24		-0.21	-0.0156	13.74	53+00.00	824.45	13.64	-0.0100	-0.14		824.31	
824.34		-0.22	-0.0156	13.92	53+06.30	824.56	13.89	-0.0136	-0.19		824.37	P.T.
824.39		-0.22	-0.0156	14.00	53+09.91	824.61	14.00	-0.0156	-0.22		824.39	
					# EXISTING CROSS SLOPE							

\*NEGATIVE CORRECTIONS MEANING BELOW PROFILE GRADE  
 POSITIVE CORRECTIONS MEANING ABOVE PROFILE GRADE

**SUPERELEVATION TABLE**

P.I. STATION 54+16.97

Dc = 22°55'06"

LEFT SIDE					CENTERLINE CONTROL		RIGHT SIDE					REMARKS
EDGE ELEVATION	TRANSITION RATE	ELEVATION CORRECTION	CROSS SLOPE	WIDTH	STATION	PROFILE GRADE	WIDTH	CROSS SLOPE	ELEVATION CORRECTION	TRANSITION RATE	EDGE ELEVATION	
824.39	135:1	-0.22	-0.0156	14.00	53+51.41	824.61	14.00	-0.0156	-0.22	185:1	824.39	
824.25		-0.21	-0.0156	13.60	53+60.68	824.46	13.76	-0.0119	-0.16		824.30	P.C.
823.80		-0.33	-0.0257	12.93	53+75.00	824.13	13.36	-0.0063	-0.08		824.05	
822.74	160:1	-0.51	-0.0432	11.76	54+00.00	823.25	12.66	0.0036	0.05	135:1	823.29	
822.56		-0.53	-0.0457	11.59	54+03.55	823.09	12.56	0.0050	0.06		823.15	F.S.
821.72		-0.48	-0.0457	10.58	54+25.00	822.20	11.95	0.0050	0.06		822.26	
821.30		-0.45	-0.0457	9.83	54+41.08	821.75	11.50	0.0050	0.06		821.81	F.S.
821.21		-0.38	-0.0404	9.41	54+50.00	821.59	11.25	-0.0017	-0.02		821.57	
821.19		-0.23	-0.0276	8.40	54+71.42	821.42	10.65	-0.0178	-0.19		821.23	P.T.
821.20		-0.21	-0.0255	8.23	54+75.00	821.41	10.55	-0.0205	-0.22		821.20	
821.26	-0.08	-0.0106#	7.55	55+00.00	821.34	9.64	-0.0393#	-0.38	820.97			
					# EXISTING CROSS SLOPE							

\*NEGATIVE CORRECTIONS MEANING BELOW PROFILE GRADE  
 POSITIVE CORRECTIONS MEANING ABOVE PROFILE GRADE

F:\37\37028\3702800\04\_CAD\TRNS\370280\_WAR-EDWARDSVILL\Design\Roadway\Sheets\370280\_CE001.dgn Sheet 4/21/2020 2:26:47 PM ATStumbo

CALCULATED  
 ATS  
 CHECKED  
 VAG

**WAR - C.R. 196 - 1.01**

**LEGEND**

 PROPOSED DRIVE PAVEMENT (SEE BUILD UP BELOW)

**RESIDENTIAL DRIVES**

**ASPHALT DRIVES**

- 441 - 1 1/2" ASPHALT CONCRETE SURFACE COURSE, TYPE 1, (448), (DRIVEWAYS)
- 407 - TACK COAT
- 301 - 3 1/2" ASPHALT CONCRETE BASE, PG64-22

**FIELD DRIVES**

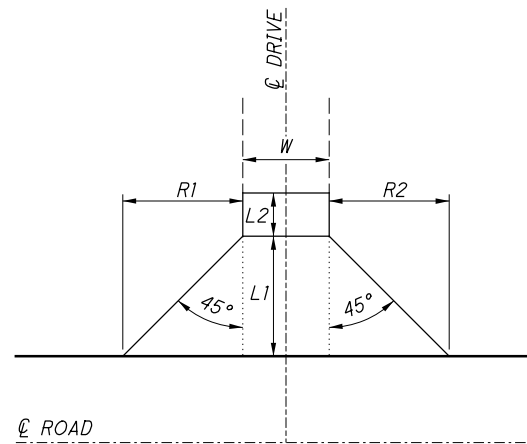
**AGGREGATE DRIVES**

- 304 - 8" AGGREGATE BASE

**NOTE FOR SAWCUTS:**

CONTRACTOR SHALL SAW CUT A NEAT LINE WHERE PROPOSED DRIVE MEETS THE EXISTING DRIVE. TYPICAL OF ALL FULL DEPTH REPLACEMENT DRIVES.

DRIVEWAY PLAN VIEW (TYPICAL)

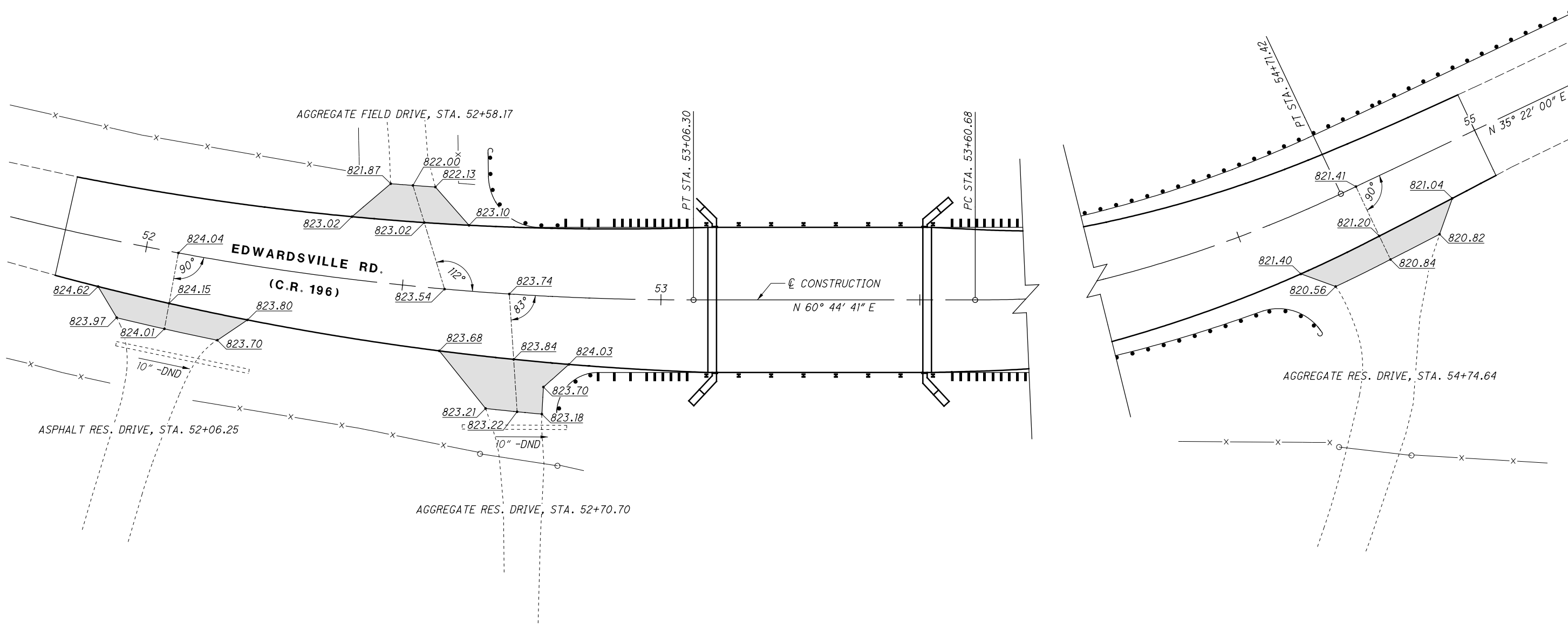


STATION	SIDE	DRIVE TYPE	DRIVE ANGLE	APRON LENGTH "L1"	DRIVEWAY LENGTH "L2"	WIDTH "W"	R1 (LEFT SIDE RADIUS OF DRIVE LOOKING FROM C)	R2 (RIGHT SIDE RADIUS OF DRIVE LOOKING FROM C)	CADD GENERATED SURFACE AREA	204	301	304	407	441
										SQ. FT.	SQ. YD.	CU. YD.	CU. YD.	GAL.
52+06.25	RT.	RES.	90	5	0	20.0	5.05	4.67	124	14	1		1	1
52+58.17	LT.	FIELD	112	7.5	0	8.6	6.74	7.15	110	12		3		
52+70.70	RT.	RES.	83	5	5	10.9	4.70	9.71	168	19	2		1	1
54+74.64	RT.	RES.	90	5	0	22.5	5.20	5.19	138	15	2		1	1
<b>TOTALS CARRIED TO GENERAL SUMMARY</b>										61	5	3	3	3

CALCULATED  
ATS  
CHECKED  
VAG

HORIZONTAL SCALE IN FEET

F:\37\37028\3702800\04\_CAD\TRNS\370280\_WAR-EDWARDSVILLE\Design\Roadway\Sheets\370280\_CD001.dgn Sheet 4/21/2020 2:26:48 PM ATStumbo



**DRIVE DETAILS**

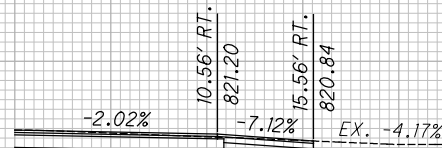
**WAR-C.R. 196-1.01**

F:\37\37028\3702800\04\_CAD\TRNS\370280\_WAR-EDWARDSVILL\Design\Roadway\Sheets\370280\_GD002.dgn Sheet 4/27/2020 2:26:49 PM ATStumbo

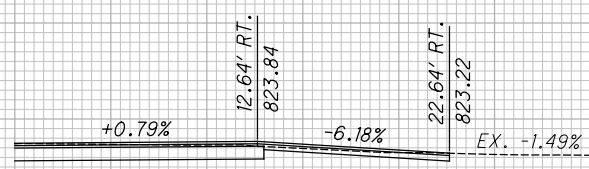
830  
825  
820  
815  
830  
825  
820  
815  
830  
825  
820  
815  
830  
825  
820  
815

830  
825  
820  
815  
830  
825  
820  
815  
830  
825  
820  
815

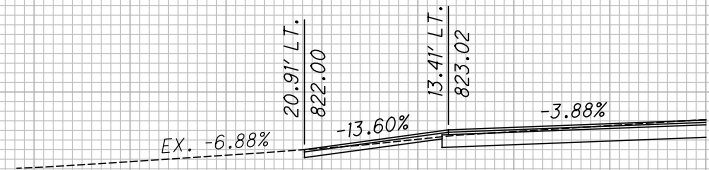
821.41  
AGG. RES. DR., STA. 54+74.64, RT.  
821.41



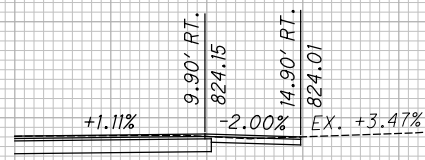
823.74  
AGG. RES. DR., STA. 52+70.70, RT. (SKEWED)  
823.71



823.54  
AGG. FIELD DR., STA. 52+58.17, LT. (SKEWED)  
823.56



824.04  
ASPHALT RES. DR., STA. 52+06.25, RT.  
824.03



70 60 50 40 30 20 10 0 10 20 30 40 50 60 70

CALCULATED	ATS
	CHECKED
	VAG

**DRIVE PROFILES**

**WAR-C.R. 196-1.01**

16  
26

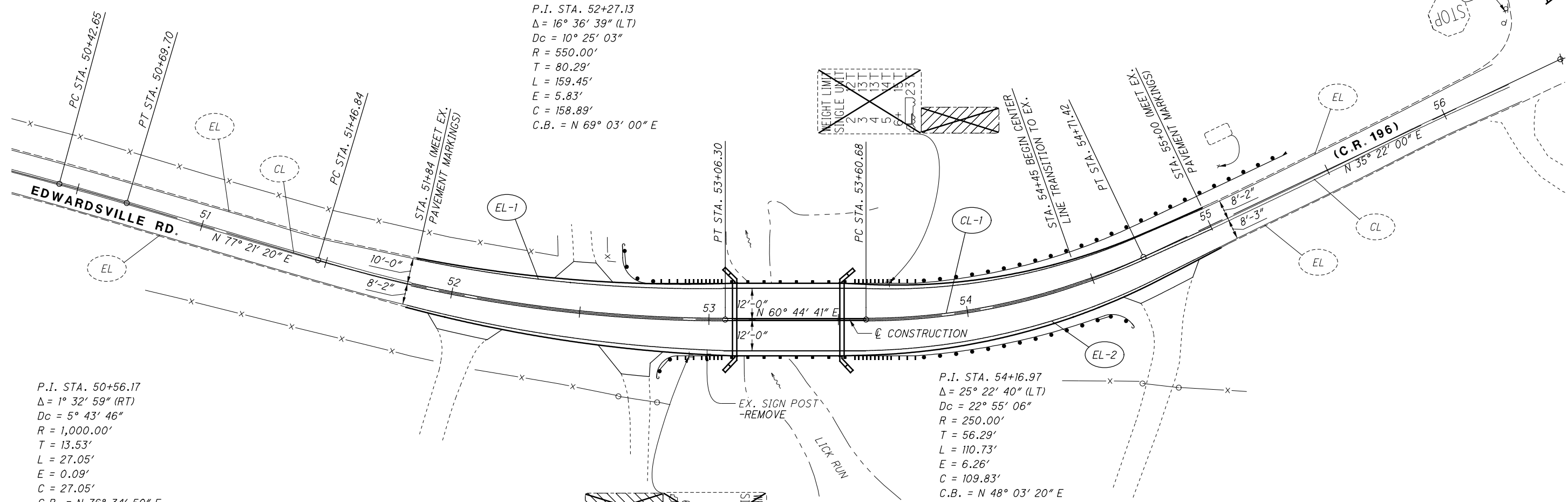


**PAVEMENT MARKING LEGEND**

- CL - ITEM 644, CENTER LINE, 4" YELLOW (DOUBLE SOLID)
- EL - ITEM 644, EDGE LINE, 4" WHITE
- CL - EX. CENTER LINE, 4" YELLOW (DOUBLE SOLID)
- EL - EX. EDGE LINE, 4" WHITE

CALCULATED  
ATS  
CHECKED  
VAG

F:\37\37028\3702800\04\_CAD\TRNS\370280\_WAR-EDWARDSVILL\Design\Traffic\Sheets\370280\_IP001.dgn Sheet 4/27/2020 2:26:50 PM ATStumbo



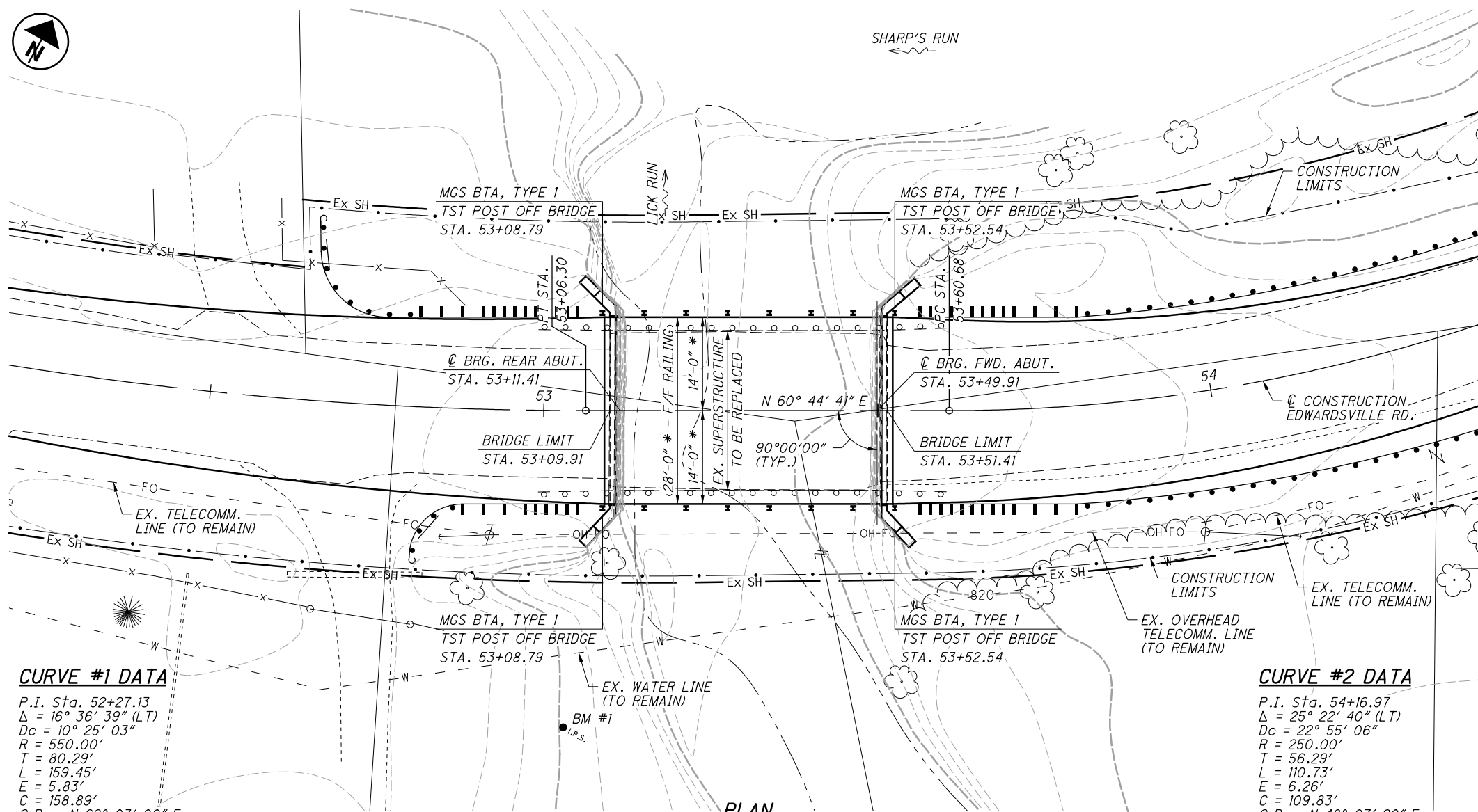
TRAFFIC CONTROL QUANTITIES TABLE

REF. NO.	SHEET NO.	STATION	SIDE	644	644	630	630
				CENTER LINE (DOUBLE SOLID)	EDGE LINE, 4"	REMOVAL OF GROUND MOUNTED SIGN AND STORAGE, AS PER PLAN	REMOVAL OF GROUND MOUNTED POST SUPPORT AND DISPOSAL
		FROM	TO	MILE	MILE	EACH	EACH
CL-1	17	51+84.00	55+00.00	0.06			
EL-1	17	51+84.00	55+00.00		0.06		
EL-2	17	51+84.00	55+00.00		0.06		
	17		52+93.00			2	
	17		53+70.00			2	
	17		52+99.00				1
<b>TOTALS CARRIED TO GENERAL SUMMARY</b>				0.06	0.12	4	1

**WAR - C.R. 196 - 1.01**



SHARP'S RUN



**CURVE #1 DATA**

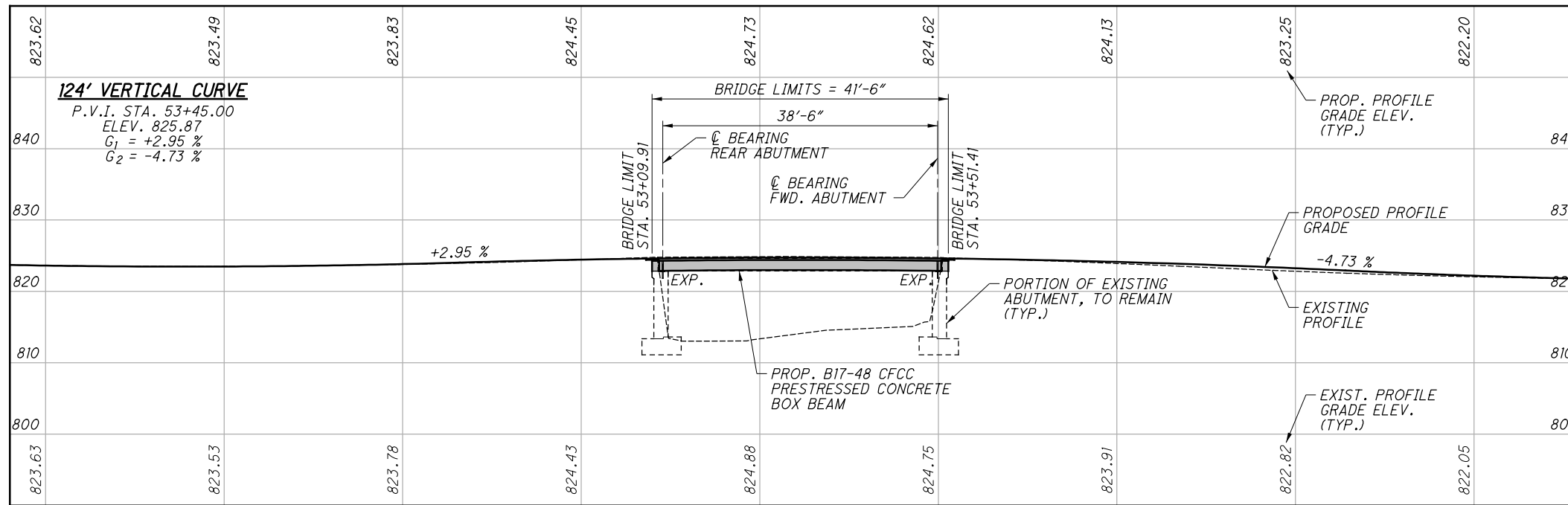
P.I. Sta. 52+27.13  
Δ = 16° 36' 39" (LT)  
Dc = 10° 25' 03"  
R = 550.00'  
T = 80.29'  
L = 159.45'  
E = 5.83'  
C = 158.89'  
C.B. = N 69° 03' 00" E

**CURVE #2 DATA**

P.I. Sta. 54+16.97  
Δ = 25° 22' 40" (LT)  
Dc = 22° 55' 06"  
R = 250.00'  
T = 56.29'  
L = 110.73'  
E = 6.26'  
C = 109.83'  
C.B. = N 48° 03' 20" E

**PLAN**

\* - PLUS FIT-UP



**PROFILE ALONG C CONSTRUCTION EDWARDSVILLE RD.**

**BENCHMARK DATA**

BM #1 STA. 53+03.17, ELEV. 820.11, OFFSET 47.44' RT., IP SET  
BM #2 STA. 56+08.81, ELEV. 820.45, OFFSET 18.90' LT., IP SET

FOR ADDITIONAL BENCHMARK INFORMATION. SEE ROADWAY PLAN SHEET  $\frac{B}{26}$

**NOTES**

- 1. EARTHWORK LIMITS SHOWN ARE APPROXIMATE. ACTUAL SLOPES SHALL CONFORM TO PLAN CROSS SECTIONS.
- 2. REFER TO ROADWAY SHEETS FOR PAYMENT OF TERMINAL ASSEMBLIES.
- 3. R/W IN LICK RUN SHOWN PER COUNTY ENGINEER. NO DOCUMENT FOUND OF RECORD IN COUNTY RECORDER'S OFFICE.

**PROPOSED WORK**

- 1. REMOVE EXISTING WEARING SURFACE.
- 2. REMOVE EXISTING BEAMS.
- 3. REMOVE PORTIONS OF EXISTING ABUTMENTS.
- 4. PLACE NEW CFCC PRESTRESSED CONCRETE BOX BEAMS. POUR DIAPHRAGM.
- 5. PLACE NEW ASPHALT CONCRETE OVERLAY AND GUARDRAIL.
- 6. SEAL ALL EXPOSED CONCRETE SURFACES USING EPOXY-URETHANE SEALER.

**EXISTING STRUCTURE**

TYPE: SINGLE SPAN NON-COMPOSITE CONCRETE BOX BEAM ON WALL TYPE ABUTMENTS  
SPAN: 38'-8"± C/C BEARINGS  
ROADWAY: 24'-0"± F/F RAILING  
LOADING: HS20-44  
SKEW: NONE  
WEARING SURFACE: 2"± BITUMINOUS ASPHALT  
APPROACH SLABS: NONE  
ALIGNMENT: TANGENT  
CROWN: 3/16" / FT. ±  
STRUCTURAL FILE NUMBER: 8333556  
DATE BUILT: 1974  
DISPOSITION: SUPERSTRUCTURE TO BE REPLACED

**PROPOSED STRUCTURE**

PROPOSED WORK: REPLACE SUPERSTRUCTURE, MODIFY ABUTMENTS TO SEMI-INTEGRAL  
TYPE: SINGLE SPAN PRESTRESSED CONCRETE NON-COMPOSITE BOX BEAMS WITH CFCC STRANDS ON EXISTING ABUTMENTS  
SPAN: 38'-6" C/C BEARINGS  
ROADWAY: 28'-0" F/F RAILING  
LOADING: HL-93 (SUPERSTRUCTURE); HS20-44 (SUBSTRUCTURE)  
SKEW: NONE  
WEARING SURFACE: 3" BITUMINOUS ASPHALT  
APPROACH SLABS: NONE  
ALIGNMENT: TANGENT  
CROWN: 3/16" / FT.  
FUTURE WEARING SURFACE: 60 PSF  
COORDINATES: LATITUDE 39°19'32.72" N  
LONGITUDE 84°02'41.83" W  
DECK AREA: 1,106 SF

F:\37\37028\3702800\04\_CAD\TRNS\370280\_WAR-EDWARDSVILLE\Design\Structures\WAP196\_1010C\_Sheets\WAP196\_1010C\_Sheets\WAR196\_1010C\_SNOO1.dgn\_Sheet 4/20/2020 3:11:06 PM MNMetz

**GENERAL NOTES**

**STANDARD BRIDGE DRAWINGS AND SUPPLEMENTAL SPECIFICATIONS:**

REFER TO THE FOLLOWING STANDARD BRIDGE DRAWINGS:  
DS-1-92 REVISED 7-18-03  
PSBD-2-07 REVISED 7-20-18  
TST-1-99 REVISED 7-20-18

**AND TO THE FOLLOWING SUPPLEMENTAL SPECIFICATIONS**

800 DATED 10-18-19  
843 DATED 10-18-19  
846 DATED 4-17-15

**DESIGN SPECIFICATIONS**

THIS STRUCTURE CONFORMS TO THE "LRFD BRIDGE DESIGN SPECIFICATIONS" ADOPTED BY THE AMERICAN ASSOCIATION OF STATE HIGHWAY AND TRANSPORTATION OFFICIALS, 8th EDITION AND THE ODOT BRIDGE DESIGN MANUAL, 2019, DATED 7-19-19.

**OPERATIONAL IMPORTANCE**

A LOAD MODIFIER OF 1.0 HAS BEEN ASSUMED FOR THE DESIGN OF THIS SUPERSTRUCTURE IN ACCORDANCE WITH THE AASHTO LRFD BRIDGE DESIGN SPECIFICATIONS, ARTICLE 1.3.5 AND THE ODOT BRIDGE DESIGN MANUAL, 2019.

**DESIGN LOADING**

HL-93 (SUPERSTRUCTURE)  
HS20-44 (EXISTING SUBSTRUCTURE)  
FUTURE WEARING SURFACE (FWS) OF 0.060 KIPS/FT<sup>2</sup>

**DESIGN DATA**

STAINLESS STEEL REINFORCING (BEAMS AND END DIAPHRAGMS):  
ASTM A276 UNS 32304 (DUPLEX 2304), GRADE 75  
MINIMUM YIELD STRENGTH 75 KSI

CONCRETE FOR PRESTRESSED BEAMS:  
COMPRESSIVE STRENGTH (FINAL) - 5.5 KSI  
COMPRESSIVE STRENGTH (RELEASE) - 5.0 KSI

PRESTRESSING STRAND FOR PRESTRESSED BEAMS:  
CARBON FIBER COMPOSITE CABLE - CFCC 1X7 15.2mm  $\phi$   
0.6" DIAMETER, AREA = 0.179 IN<sup>2</sup>  
ULTIMATE STRENGTH = 339.1 KSI  
INITIAL PRESTRESS STRESS = 203.5 KSI  
TOTAL PRESTRESS LOSSES = 19.11%

CONCRETE CLASS QC2 - COMPRESSIVE STRENGTH 4.5 KSI (SUPERSTRUCTURE)

**DECK PROTECTION METHOD**

WATERPROOFING AND ASPHALT CONCRETE OVERLAY  
STAINLESS STEEL DRIP STRIP

**MAINTENANCE OF TRAFFIC**

SEE ROADWAY PLANS FOR ADDITIONAL MAINTENANCE OF TRAFFIC NOTES AND DETAILS.

**PLANS OF EXISTING BRIDGE**

CONSTRUCTION PLANS FOR THE EXISTING BRIDGE ARE AVAILABLE FOR REFERENCE BY CONTACTING THE WARREN COUNTY ENGINEER'S OFFICE.

**EXISTING STRUCTURE VERIFICATION**

DETAILS AND DIMENSIONS SHOWN ON THESE PLANS PERTAINING TO THE EXISTING STRUCTURE HAVE BEEN OBTAINED FROM PLANS OF THE EXISTING STRUCTURE AND FROM FIELD OBSERVATIONS AND MEASUREMENTS. CONSEQUENTLY, THEY ARE INDICATIVE OF THE EXISTING STRUCTURE AND THE PROPOSED WORK BUT THEY SHALL BE CONSIDERED TENTATIVE AND APPROXIMATE. THE CONTRACTOR IS REFERRED TO C&MS SECTIONS 102.05 AND 105.02. BASE CONTRACT BID PRICES UPON A RECOGNITION OF THE UNCERTAINTIES DESCRIBED ABOVE AND UPON A PREBID EXAMINATION OF THE EXISTING STRUCTURE. HOWEVER, THE ENGINEER'S OFFICE WILL PAY FOR ALL PROJECT WORK BASED UPON ACTUAL DETAILS AND DIMENSIONS THAT HAVE BEEN VERIFIED IN THE FIELD.

**STAINLESS STEEL REINFORCING MATERIAL, SHIPPING, HANDLING AND STORAGE**

STAINLESS STEEL REBAR CONFORMING TO ASTM A276 UNS 32304 (DUPLEX 2304), GRADE 75 SHALL BE USED IN THE PRESTRESSED CONCRETE BOX BEAM AND END DIAPHRAGM. THE STAINLESS STEEL REBARS SHALL ALSO CONFORM TO THE PHYSICAL SPECIFICATIONS OF ASTM A955.

THE PUBLICATION "STAINLESS STEEL REBAR GUIDELINES FOR SHIPPING, HANDLING, FABRICATION, AND PLACEMENT" BY SPECIALTY STEEL INDUSTRY OF NORTH AMERICA (SSINA) SHALL BE FOLLOWED ALONG WITH THE FOLLOWING:

CARE IS REQUIRED DURING SHIPPING, HANDLING AND PLACEMENT OF STAINLESS STEEL REBAR. STAINLESS STEEL REBARS SHALL BE PROTECTED FROM DIRECT CONTACT WITH CHLORIDES (DE-ICING SALT, CALCIUM CHLORIDE, SEAWATER, ETC.) PRIOR TO EMBEDMENT IN CONCRETE. STAINLESS STEEL REBARS SHALL NOT MAKE DIRECT CONTACT WITH CARBON STEEL REBARS OR OTHER CARBON STEEL COMPONENTS IN THE STRUCTURE.

STAINLESS STEEL REBARS SHALL NOT BE HANDLED WITH CARBON STEEL TOOLS, CHAINS, SLINGS, ETC. USE NYLON OR POLYPROPYLENE SLINGS WHEN HANDLING STAINLESS STEEL REBARS. FORK-LIFT TRUCKS USED TO MOVE STAINLESS STEEL REBAR SHALL HAVE THEIR FORKS COVERED WITH STAINLESS STEEL OR NON-CARBON STEEL MATERIAL TO PREVENT SCRATCHING AND CONTAMINATION.

ALL HAND TOOLS, MECHANIZED TOOLS AND HANDLING DEVICES (SUCH AS ROLLERS, SHEARS, ETC.) SHALL BE STAINLESS STEEL OR CARBON STEEL WITH A MINIMUM HARDNESS OF ROCKWELL C35. THE HAND TOOLS SHALL NOT HAVE BEEN PREVIOUSLY USED ON CARBON STEEL. THE CARBON STEEL TOOLS MEETING THE MINIMUM HARDNESS SHALL BE WIPE CLEAN USING RAGS AND CLEANING AGENTS PRIOR TO BEING USED FOR STAINLESS STEEL REBARS. DO NOT USE GRINDING TOOLS OR ABRASIVE CUT-OFF DISCS THAT HAVE BEEN PREVIOUSLY USED ON CARBON STEEL. IF ANY IRON CONTAMINATION OCCURS, IT SHALL BE REMOVED USING PICKLING PASTE.

STAINLESS STEEL REBARS SHALL NOT BE HOT BENT OR HEAT STRAIGHTENED. CMS 509.05 SHALL BE FOLLOWED FOR BENDING. TO BEND STAINLESS STEEL REBARS, MORE FORCE MAY NEED TO BE APPLIED. STAINLESS STEEL REBARS TEND TO HAVE MORE "SPRING" THAN CARBON STEEL REBARS AND MAY NEED TO BE OVERBENT TO COMPENSATE FOR "SPRING-BACK". BENT BARS SHALL BE SPOT CHECKED ONE HOUR AFTER FABRICATION TO VERIFY DIMENSION AND NO "SPRING-BACK" HAS OCCURRED.

PRIOR TO SHIPPING, ALL CHAINS AND STEEL BANDS SHALL NOT COME INTO DIRECT CONTACT WITH THE STAINLESS STEEL REBARS. THE STAINLESS STEEL REBARS SHALL BE SECURED USING NYLON OR POLYPROPYLENE STRAPS. THE STAINLESS STEEL REBARS SHALL BE LOADED ON TOP OF CARBON STEEL IF BUNDLES OF CARBON STEEL AND STAINLESS STEEL REBARS MUST BE SHIPPED TOGETHER. THIS SHALL BE AVOIDED WHEN POSSIBLE. WOODEN SPACERS MUST BE USED TO SEPARATE THE TWO MATERIALS IF SHIPPED TOGETHER.

STAINLESS STEEL REBARS SHALL BE TARPED DURING SHIPPING USING A NEW OR DEDICATED STAINLESS STEEL TARP. PLASTIC SHRINK OR STRETCH WRAP SHALL BE USED TO COVER BUNDLES OF STAINLESS STEEL REBARS.

STAINLESS STEEL REBARS SHALL BE STORED OFF THE GROUND ON WOODEN SUPPORTS. STAINLESS STEEL REBARS CAN BE STORED OUTSIDE BUT COVERED WITH TARPULINS. TO MINIMIZE THE CHANCES OF LOSS OR THEFT OF THE STAINLESS STEEL REBARS AT THE SITE, PROVISIONS SHALL BE MADE, SUCH AS LOCKED STORAGE. STAINLESS STEEL AND CARBON STEEL REBARS SHALL BE STORED SEPARATELY.

**CARBON FIBER COMPOSITE CABLE (CFCC) MATERIAL, SHIPPING, HANDLING AND STORAGE**

THE FABRICATOR SHALL PURCHASE THE CARBON FIBER COMPOSITE CABLE (CFCC) 1X7 15.2mm  $\phi$  DIRECTLY FROM TOKYO ROPE AND INSTALL AS DETAILED ON THE PLANS AND PER RECOMMENDATIONS FROM THE MANUFACTURER AND THE ENGINEER. THE FABRICATOR SHALL COORDINATE CFCC LENGTHS WITH TOKYO ROPE BASED ON INFORMATION IN THE PLANS.

TOKYO ROPE USA, INC.  
8301 RONDA DRIVE  
CANTON, MI 48187  
734-335-6037

MATERIALS SHIPPED IN COIL FORM SHALL BE STORED IN SUCH A WAY THAT HARMFUL KINKS DO NOT DEVELOP WHEN COIL IS UNWOUND. BEFORE UNCOILING AND DRAGGING CFCC, SPREAD A VINYL SHEET UNDERNEATH TO AVOID SCRATCHES. ANY CFCC FOUND TO BE DAMAGED ON THE SURFACE, BENT, SUBJECTED TO HIGH TEMPERATURES OR STORED IN THE ELEMENTS SHALL BE DISCARDED.

THE FABRICATOR SHALL NOT WALK ON OR APPLY ANY SUPERIMPOSED DEAD OR LIVE LOAD ONTO THE CFCC. CARE SHALL BE TAKEN NOT TO CHIP THE CFCC WITH A HARD EDGE OR ANY FALLING OBJECT.

SCORING OF CFCC, FOR ANY REASON, SHALL NOT BE PERMITTED. CUTTING OF CFCC SHALL BE PERFORMED BY THE USE OF A HIGH-SPEED ROTARY GRINDER, WHICH SHALL NOT DAMAGE THE CFCC. HEAT ORIENTED METHODS, SUCH AS GAS WELDING TORCHES, SHALL BE STRICTLY FORBIDDEN. HEATING OF CFCC REINFORCEMENT IN ANY MANNER IS DANGEROUS. WORKERS SHOULD WEAR PROPER AIR FILTERING DEVICE AND HANDLING GLOVES.

**BEARING PAD SHIMS**

PLACE 1/8" THICK PREFORMED BEARING PAD SHIMS, PLAN AREA 8 INCHES BY 10 INCHES, UNDER THE ELASTOMERIC BEARING PADS WHERE REQUIRED FOR PROPER BEARING. FURNISH TWO SHIMS PER BEAM. THE ENGINEER'S OFFICE WILL MEASURE THIS ITEM BY THE TOTAL NUMBER SUPPLIED. THE ENGINEER'S OFFICE WILL PAY FOR ACCEPTED QUANTITIES AT THE CONTRACT PRICE FOR ITEM 516 - 1/8" PREFORMED BEARING PAD. ANY UNUSED SHIMS SHALL BECOME THE PROPERTY OF THE COUNTY.

**ITEM 202, PORTIONS OF STRUCTURE REMOVED, OVER 20 FOOT SPAN, AS PER PLAN:**

THIS ITEM SHALL INCLUDE THE ELEMENTS INDICATED IN THE PLANS AND GENERAL NOTES AND THAT ARE NOT SEPARATELY LISTED FOR PAYMENT, EXCEPT FOR WEARING COURSE REMOVAL. ITEMS TO BE REMOVED INCLUDE ALL EXISTING MATERIALS BEING REPLACED BY NEW CONSTRUCTION AND MISCELLANEOUS ITEMS THAT ARE NOT SHOWN TO BE INCORPORATED INTO THE FINAL CONSTRUCTION AND ARE DIRECTED TO BE REMOVED BY THE ENGINEER. THE USE OF EXPLOSIVES, HEADACHE BALLS AND/OR HOE-RAMS WILL NOT BE PERMITTED. THE METHOD OF REMOVAL AND THE WEIGHT OF HAMMER SHALL BE APPROVED BY THE ENGINEER. PERFORM ALL WORK IN A MANNER THAT WILL NOT CUT, ELONGATE OR DAMAGE THE EXISTING REINFORCING STEEL TO BE PRESERVED. CHIPPING HAMMERS SHALL NOT BE HEAVIER THAN THE NOMINAL 90-POUND CLASS. PNEUMATIC HAMMERS SHALL NOT BE PLACED IN DIRECT CONTACT WITH REINFORCING STEEL THAT IS TO BE RETAINED IN THE REBUILT STRUCTURE. SUBMIT CONSTRUCTION PLANS ACCORDING TO C&MS 501.05.

CUT LINE CONSTRUCTION JOINT PREPARATION: SAW CUT BOUNDARIES OF PROPOSED CONCRETE REMOVALS 1 INCH DEEP. REMOVE CONCRETE TO A ROUGH SURFACE. LEAVE THE EXISTING REINFORCING STEEL, IF REQUIRED IN THE PLANS, IN PLACE. INSTALL DOWEL BARS IF SPECIFIED. PRIOR TO CONCRETE PLACEMENT ABRASIVELY CLEAN JOINT SURFACES AND EXISTING EXPOSED REINFORCEMENT TO REMOVE LOOSE AND DISINTEGRATED CONCRETE AND LOOSE RUST. THOROUGHLY CLEAN THE JOINT SURFACE AND EXPOSED REINFORCEMENT OF ALL DIRT, DUST, RUST OR OTHER FOREIGN MATERIAL BY THE USE OF WATER, AIR UNDER PRESSURE, OR OTHER METHODS THAT PRODUCE SATISFACTORY RESULTS. EXISTING REINFORCING STEEL DOES NOT HAVE TO HAVE A BRIGHT STEEL FINISH BUT REMOVE ALL PACK AND LOOSE RUST. THOROUGHLY DRENCH EXISTING CONCRETE SURFACES WITH CLEAN WATER AND ALLOW TO DRY TO A DAMP CONDITION BEFORE PLACING CONCRETE.

CLEANING WEEPHOLES: THOROUGHLY CLEAN THE EXISTING WEEPHOLES OF ALL DIRT, DUST OR OTHER FOREIGN MATERIALS WITH WATER, AIR UNDER PRESSURE OR ANY OTHER METHOD THAT PRODUCES SATISFACTORY RESULTS. INCLUDE WITH ITEM 202, PORTIONS OF STRUCTURE REMOVED, OVER 20 FOOT SPAN, AS PER PLAN.

SUBSTRUCTURE CONCRETE REMOVAL: REMOVE CONCRETE BY MEANS OF APPROVED PNEUMATIC HAMMERS EMPLOYING POINTED AND BLUNT CHISEL TOOLS. HYDRAULIC HOE-RAM TYPE HAMMERS WILL NOT BE PERMITTED. THE WEIGHT OF THE HAMMER SHALL NOT BE MORE THAN 35 POUNDS FOR REMOVAL WITHIN 18 INCHES OF PORTIONS TO BE PRESERVED. OUTSIDE THE 18 INCH LIMIT, THE CONTRACTOR MAY USE HAMMERS NOT EXCEEDING 90 POUNDS UPON APPROVAL OF THE ENGINEER. DO NOT PLACE PNEUMATIC HAMMERS IN DIRECT CONTACT WITH REINFORCING STEEL THAT IS TO BE RETAINED IN THE REBUILT STRUCTURE.

MEASUREMENT & PAYMENT: THE DEPARTMENT WILL MEASURE THE QUANTITY OF REMOVALS ON A LUMP SUM BASIS. THE DEPARTMENT WILL PAY FOR THE ACCEPTED QUANTITIES OF REMOVALS AT THE CONTRACT PRICE FOR ITEM 202 - PORTIONS OF STRUCTURE REMOVED, AS PER PLAN.

**ITEM 503, UNCLASSIFIED EXCAVATION, AS PER PLAN**

UNCLASSIFIED EXCAVATION SHALL BE IN ACCORDANCE WITH 503 EXCEPT THAT BACKFILL MATERIAL PLACED BEHIND THE ABUTMENTS SHALL BE 703.17 MATERIAL PLACED IN 6 INCH LIFTS AS PER 304.05.

**ITEM 509, REINFORCING STEEL, AS PER PLAN (STAINLESS STEEL REBAR)**

NO SUBSTITUTIONS WITH STANDARD EPOXY COATED REINFORCING STEEL SHALL BE ALLOWED. REINFORCING STEEL SIZE AND SPACING SHALL MATCH THAT SHOWN IN THE PLANS. IT IS THE INTENT TO EXTEND THE SERVICE LIFE OF THE STRUCTURE THROUGH THE USE OF CORROSION RESISTANT REINFORCING STEEL RATHER THAN RE-ENGINEER THE REINFORCING STEEL TO TAKE ADVANTAGE OF HIGHER STRENGTHS, REDUCED REBAR SIZE AND/OR SPACING. MAXIMUM REINFORCING STEEL ORDER LENGTH SHALL BE 40 FEET.

STAINLESS STEEL REBAR SHALL CONFORM TO ASTM A276 UNS 32304 (DUPLEX 2304), GRADE 75. THE STAINLESS STEEL REBARS SHALL ALSO CONFORM TO THE PHYSICAL SPECIFICATIONS OF ASTM A955. SEE THE STAINLESS STEEL REINFORCING MATERIAL, SHIPPING, HANDLING AND STORAGE NOTE. FOLLOW CMS 509.04 FOR PLACING OF STAINLESS STEEL REBAR. STAINLESS STEEL REBAR SHALL BE SUPPORTED AND SPACED USING PLASTIC OR STAINLESS STEEL CHAIRS AND SPACERS. STAINLESS STEEL TIE-WIRE OR PLASTIC ZIP TIES SHALL BE USED. IF STAINLESS STEEL TIE-WIRE IS USED, IT SHALL HAVE THE SAME LEVEL OF CORROSION RESISTANCE AS THE STAINLESS STEEL REBAR.

THE STAINLESS STEEL REBAR SHALL MEET THE SPACING, LAP LENGTH, DEVELOPMENT LENGTHS, ETC. AS SPECIFIED IN C&MS SECTION 509.

UNLESS ITEMIZED SEPERATELY, ALL COSTS ASSOCIATED WITH EQUIPMENT, MATERIAL, LABOR AND ANY MISCELLANEOUS APPURTENCES FOR FURNISHING, INSTALLING AND SPLICING OF THE REBAR SHALL BE INCLUDED FOR PAYMENT UNDER ITEM 509 - REINFORCING STEEL, AS PER PLAN.

**ITEM 511, CLASS QC2 CONCRETE, SUPERSTRUCTURE, AS PER PLAN**

FURNISH MATERIAL MEETING THE REQUIREMENTS OF ASTM C578 TYPE IV. NEATLY CUT MATERIAL AS NECESSARY TO ALLOW FOR PROPER INSTALLATION. JOINTS AT ABUTTING PIECES SHALL BE SEALED WITH DUCT TAPE. ALLOWABLE TOLERANCE FOR THE TOTAL THICKNESS OF THE MATERIAL SHALL BE -0%, +1/2". DO NOT PLACE MORE THAN TWO LAYERS OF POLYSTYRENE TO ACHIEVE TOTAL THICKNESS.

ALL LABOR, MATERIAL AND INCIDENTAL COSTS INVOLVED WITH THE EXPANDED POLYSTYRENE FILLER SHALL BE INCLUDED WITH THIS ITEM FOR PAYMENT.

GENERAL NOTES (1 OF 2)

BRIDGE NO. WAR-CO196-0101

EDWARDSVILLE ROAD (CO196) OVER LICK RUN

WAR-CO196-01.01

PID No. 108833

2 / 9

19  
26

DESIGN AGENCY  
**BARGE**  
DESIGN SOLUTIONS

DATE  
JAN 20  
REVIEWED  
K SM  
STRUCTURE FILE NUMBER  
8333556  
DRAWN  
MMM  
REVISID  
DESIGNED  
BMG  
CHECKED  
AWM

F:\37\37028\3702800\04\_CAD\TRNS\370280\_WAR-EDWARDSVILLE\Design\Structures\WAR196\_1010C\_Sheets\WAR196\_1010C\_Sheets.dgn Sheet 4/20/2020 3:11:07 PM MNMetz

**GENERAL NOTES (CONT.)**

**ITEM 515, PRESTRESSED CONCRETE NON-COMPOSITE BOX BEAM BRIDGE MEMBERS, LEVEL 1, B17-48, AS PER PLAN**

PROVIDE PRESTRESSED BOX BEAMS PER THE REQUIREMENTS OF CMS 515 EXCEPT AS MODIFIED BELOW.

BEAM B17-48 OF STANDARD DRAWING PSBD-2-07 IS MODIFIED AS PER THE DETAILS AND NOTES SHOWN IN THE PLANS. THE PRESTRESSING STRAND SHALL BE CARBON FIBER COMPOSITE CABLE (CFCC). SEE THE CARBON FIBER COMPOSITE CABLE (CFCC) MATERIAL, SHIPPING, HANDLING AND STORAGE NOTE FOR MORE INFORMATION. ALL MILD STEEL IN THE STANDARD DRAWING PSBD-2-07 SHALL BE STAINLESS STEEL CONFORMING TO ASTM A276 UNS 32304 (DUPLEX 2304), GRADE 75. THIS INCLUDES BUT IS NOT LIMITED TO REINFORCING STEEL, LIFTING INSERTS AND ANCHOR DOWEL BARS. SEE THE STAINLESS STEEL REINFORCING MATERIAL, SHIPPING, HANDLING AND STORAGE NOTE FOR MORE INFORMATION. NO EPOXY COATED STEEL SHALL BE CAST INTO THE BOX BEAMS.

PROVIDE SHOP DRAWINGS FOR BOX BEAMS AS PER CMS 515.06 EXCEPT AS MODIFIED BELOW. THE SHOP DRAWINGS SHALL DETAIL THE ARRANGMENTS OF THE STAGGERED STRAND COUPLERS, AT BOTH BEAM ENDS, TO BE USED FOR THE STRESSING OF THE CFCC AS PER RECOMMENDATIONS BY TOKYO ROPE. IN ADDITION THE SHOP DRAWINGS SHALL PROVIDE THE DEBONDING ARRANGMENT FOR THE CFCC. SHOP DRAWINGS SHALL SHOW THE INTERMEDIATE DIAPHRAGMS AND TRANSVERSE TIE RODS AND THE ANTICIPATED CAMBER AS DETERMINED BY THE FABRICATOR. SHOP DRAWINGS SHALL BE SUBMITTED TO THE ENGINEER FOR APPROVAL PRIOR TO THE FABRICATION AND CASTING OF ANY BEAMS.

THE TRANSVERSE TIE ROD DUCT IS TO BE POLYETHYLENE PLASTIC PIPE MEETING THE REQUIREMENTS OF ASTM D3350 WITH WHITE MATERIAL AND ULTRA-VIOLET STABILIZERS ADDED. PLASTIC PIPE USED SHALL NOT REACT WITH CONCRETE OR ENHANCE CORROSION OF PRESTRESSING STRANDS AND SHALL BE SUFFICIENT TO WITHSTAND HANDLING, FABRICATION AND CONSTRUCTION LOADINGS. THE PIPE SHALL BE CORRUGATED AND HAVE A MINIMUM WALL (MATERIAL) THICKNESS OF 0.050 +/- 0.010 INCH.

A PRE-FABRICATED MEETING BETWEEN THE COUNTY, ENGINEERS, TOKYO ROPE AND FABRICATOR SHALL TAKE PLACE PER CMS 515.07. THE SCHEDULING OF THE MEETING SHALL BE AT THE FABRICATOR'S DISCRETION.

FOLLOW THE STEPS AND INSTRUCTIONS PROVIDED BY TOKYO ROPE FOR THE PRESTRESSING PROCEDURE. A COUPLER IS NEEDED TO CONNECT THE CFCC TO STEEL PRESTRESSING STRANDS FOR TENSIONING OF THE STRANDS. THE COUPLER INCLUDES A WEDGE, SLEEVE AND BRAID GRIP TO BE INSTALLED PER TOKYO ROPE. DURING PRESTRESSING OPERATIONS, CFCC AND STEEL PRESTRESSING STRANDS WILL WANT TO UNTWIST AND ROTATE. ANY ROTATING OR UNTWISTING OF THE TENDONS AND END ANCHORAGES SHALL NOT BE PERMITTED. TO PREVENT THE UNTWISTING OF THE CFCC, LAY THE CFCC AND STEEL PRESTRESSING STRAND IN THE SAME DIRECTION WHILE CONNECTING THEM TO THE COUPLER.

DAMAGE DUE TO CUTTING, TWISTING OR ROTATING AND MIS-HANDLING OF ANY PRESTRESSING CFCC SHALL NOT BE PERMITTED. IF ANY DAMAGE OCCURS TO THE CFCC, IT SHALL BE REPLACED AT THE FABRICATOR'S EXPENSE AT NO ADDITIONAL COST TO CONTRACT.

FOLLOW CMS 509.04 FOR PLACING OF STAINLESS STEEL REBAR. STAINLESS STEEL REBARS SHALL BE SUPPORTED AND SPACED USING PLASTIC OR STAINLESS STEEL CHAIRS AND SPACERS. STAINLESS STEEL TIE-WIRE OR PLASTIC ZIP TIES SHALL BE USED. IF STAINLESS STEEL TIE-WIRE IS USED, IT SHALL HAVE THE SAME LEVEL OF CORROSION RESISTANCE AS THE STAINLESS STEEL REBAR.

USE A VIBRATOR WITH A RUBBER COATED HEAD OR VINYL TIPPED PENCIL FOR CONSOLIDATING THE BOX BEAM CONCRETE. VIBRATING THE FORM EXTERNALLY IS ALLOWED.

FOLLOW CMS 515.19 FOR HANDLING, STORAGE AND TRANSPORTATION. DURING STORAGE, ALL HOLES AND REGLETS SHALL BE PROTECTED AGAINST WATER AND ICE IN FREEZING WEATHER. THE BEAMS SHALL BE STORED BY THE FABRICATOR UNTIL THE CONTRACTOR REQUESTS THEM TO BE DELIVERED TO THE CONSTRUCTION SITE.

PRIOR TO TRANSPORTING ANY OF THE BEAMS FOR ERECTION, TRIAL LAYOUT OF ALL BEAMS, AS A COMPLETE UNIT SHALL BE REQUIRED TO CHECK FIT-UP, ALIGNMENT OF TRANSVERSE TIE RODS AND DIFFERENTIAL CAMBER. THE TRANSVERSE TIE ROD DUCT SHALL BE LEVEL AFTER ERECTION. IF THE ALIGNMENT IS SUCH THAT THE ROD CANNOT BE PROPERLY INSTALLED, THE FABRICATOR SHALL SUBMIT A PLAN DETAILING THE PROPOSED CORRECTIVE MEASURES TO THE ENGINEER FOR APPROVAL. NO CORRECTIVE WORK IS TO BE PERFORMED WITHOUT THE ENGINEER'S PRIOR APPROVAL. SEVERE MISALIGNMENT SHALL BE A CAUSE FOR BEAM REJECTION.

THE FABRICATOR SHALL SANDBLAST THE KEYWAY SURFACES WITHIN FOUR DAYS OF SHIPMENT TO THE PROJECT SITE. THE SANDBLASTING SHALL YIELD A VISUAL APPEARANCE AND TEXTURE EQUAL OR ROUGHER THAN 100 GRIT SANDPAPER OVER THE ENTIRE KEYWAY SURFACE. WHEN STAINS ARE VISIBLE BEFORE BLASTING THE CONCRETE, USE A DEGREASER TO ENSURE REMOVAL OF GREASE, OILS AND OTHER SIMILAR CONTAMINATES. THE DEGREASER SHALL BE WATER SOLUBLE SO IT CAN BE REMOVED BEFORE THE BLASTING BEGINS.

ALL BEAMS SHALL BE MARKED WITH THE BRIDGE AND BEAM NUMBER PRIOR TO SHIPPING. ALL MARKS SHALL BE PERMANENT.

TRANSPORTATION SHALL BE PERFORMED WITH ACCEPTABLE EQUIPMENT AND METHODS.

BEAMS THAT SUSTAIN DAMAGE, SURFACE DEFECTS OR EXPERIENCE CRACKING DURING MANUFACTURE, HANDLING, STORAGE, SHIPPING, ERECTION OR APPLICATION OF EXTERNAL FORCES ARE SUBJECT TO REVIEW BY THE ENGINEER AS TO WHETHER THE BEAM MAY BE REPAIRED OR WHETHER IT WILL BE REJECTED. SUBMIT PROPOSED WRITTEN REPAIR PROCEDURES, INCLUDING MATERIALS, AND OBTAIN APPROVAL BEFORE PERFORMING REPAIRS. REPAIR WORK MUST RE-ESTABLISH THE STRUCTURAL INTEGRITY AND DURABILITY OF THE BEAM TO THE SATISFACTION OF THE ENGINEER.

THE BEAMS SHALL BE ERECTED AT THE SITE PER CMS 515.19. SITE HANDLING AND ERECTION SHALL BE PERFORMED WITH ACCEPTABLE EQUIPMENT AND METHODS.

BEFORE MORTORING, REMOVE ALL DIRT, DUST, GREASE, OIL AND OTHER FOREIGN MATERIAL FROM THE SURFACES USING A HIGH PRESSURE WASH OF AT LEAST 1000 PSI AT A DELIVERY RATE OF AT LEAST 4 GALLONS PER MINUTE.

ALL LABOR, MATERIAL AND INCIDENTAL COSTS INVOLVED WITH THE FABRICATION, TRANSPORTATION AND ERECTION OF THE BEAMS, INCLUDING JOINT MORTOR (KEYWAY GROUT), ANCHOR DOWELS AND THE PREFORMED EXPANSION JOINT FILLER BETWEEN THE BEARINGS SHALL BE INCLUDED WITH THIS ITEM FOR PAYMENT.

**ABBREVIATIONS**

- ABUT. - ABUTMENT
- BRG. - BEARING
- BTA - BRIDGE TERMINAL ASSEMBLY
- CFCC - CARBON FIBER COMPOSITE CABLE
- C/C - CENTER TO CENTER
- CL - CENTERLINE
- CLR. - CLEAR
- CONSTR. - CONSTRUCTION
- DIA. - DIAMETER
- DIM. - DIMENSION
- DWG. - DRAWING
- EL. OR - ELEVATION
- ELEV. - ELEVATION
- EX. - EXISTING
- EXP. - EXPANSION
- FF - FAR FACE
- F/F - FACE TO FACE
- FWD. - FORWARD
- (F) - FORWARD ABUTMENT
- MIN. - MINIMUM
- PEJF - PREFORMED EXPANSION JOINT FILLER
- PROP. - PROPOSED
- (R) - REAR ABUTMENT
- STA. - STATION
- STD. - STANDARD
- STR. - STRAIGHT
- TST - TWIN STEEL TUBE
- TYP. - TYPICAL

<b>DESIGN AGENCY</b>		<b>BARGE</b>		<b>DESIGN SOLUTIONS</b>	
DESIGNED	DRAWN	REVIEWED	DATE	<b>GENERAL NOTES (2 OF 2)</b> BRIDGE NO. WAR-CO196-0101 EDWARDSVILLE ROAD (CO196) OVER LICK RUN	
BMG	MNM	KSM	JAN 20		
CHECKED	REVISED	STRUCTURE FILE NUMBER			
AWM		8333556			
WAR-CO196-01.01			PID No. 108833		
3 / 9			20 / 26		



F:\37\37028\3702800\04\_CAD\TRNS\370280\_WAR-EDWARDSVILL\Design\Structures\WAR196\_1010C\_Sheets\WAR196\_1010C.dgn Sheet 4/20/2020 3:11:07 PM MNMetz

MADE BY: BMG		DATE: 12/31/2019		ESTIMATED QUANTITIES					STRUCTURAL FILE NUMBER: 8333556	
CHECKED BY: AMM		DATE: 1/3/2020								
ITEM	EXTENSION	TOTAL	UNIT	DESCRIPTION	ABUT.	SUPER.	GEN.	REFERENCE SHEET NO.		
202	11203	LUMP		PORTIONS OF STRUCTURE REMOVED, OVER 20 FOOT SPAN, AS PER PLAN			LUMP	2		
202	23500	111	SY	WEARING COURSE REMOVED			111			
304	20000	25	CY	AGGREGATE BASE			25			
503	21301	LUMP		UNCLASSIFIED EXCAVATION, AS PER PLAN	LUMP			2		
509	25001	506	LB	REINFORCING STEEL, AS PER PLAN (STAINLESS STEEL REBAR)		506		2		
511	31611	3	CY	CLASS QC2 CONCRETE, SUPERSTRUCTURE, AS PER PLAN		3		2		
512	10100	125	SY	SEALING OF CONCRETE SURFACES (EPOXY-URETHANE)	103	22				
512	33010	126	SY	TYPE 3 WATERPROOFING		126				
515	10031	7	EACH	PRESTRESSED CONCRETE NON-COMPOSITE BOX BEAM BRIDGE MEMBERS, LEVEL 1, B17-48, AS PER PLAN ( (LENGTH = 39.50 FT.))		7		3		
516	13900	6	SF	2" PREFORMED EXPANSION JOINT FILLER	6					
516	14020	75	FT	SEMI-INTEGRAL ABUTMENT EXPANSION JOINT SEAL	75					
516	41100	14	EACH	1/8" PREFORMED BEARING PAD	14					
516	43100	28	EACH	ELASTOMERIC BEARING WITH INTERNAL LAMINATES ONLY (NEOPRENE) (8"x10"x1 15/16")	28					
517	70001	98	FT	RAILING (TWIN STEEL TUBE), AS PER PLAN		98		8		
518	21200	15	CY	POROUS BACKFILL WITH GEOTEXTILE FABRIC	15					
518	22300	97	FT	SPECIAL - STEEL DRIP STRIP		97				
519	11100	55	SF	PATCHING CONCRETE STRUCTURE	55					
843	50000	20	SF	PATCHING CONCRETE STRUCTURES WITH TROWELABLE MORTAR	20					
846	00110	24	CF	POLYMER MODIFIED ASPHALT EXPANSION JOINT SYSTEM			24			



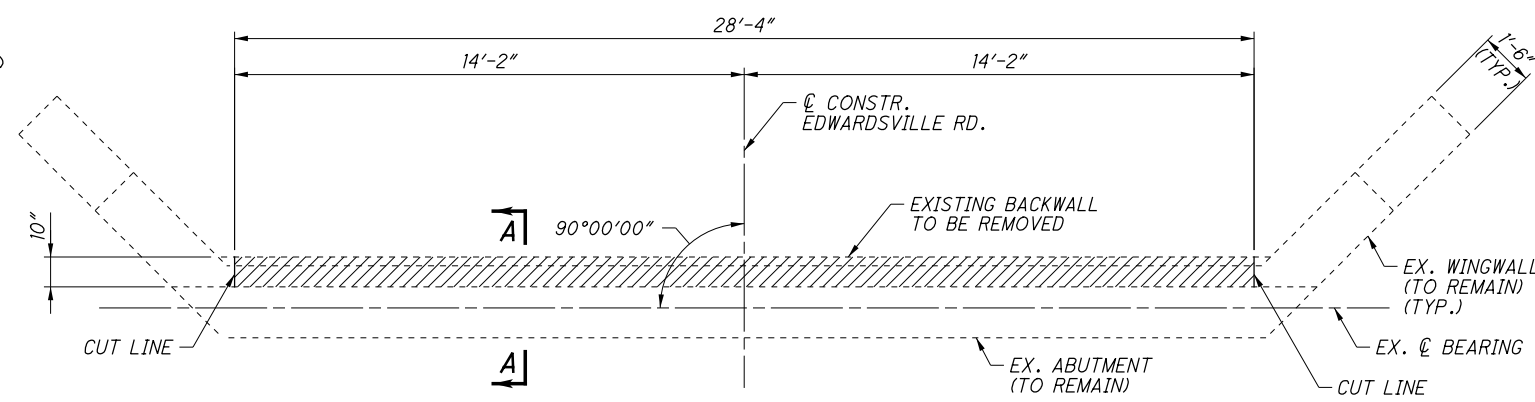
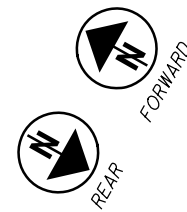
DESIGN AGENCY  
DATE: JAN 20  
REVIEWED: KSM  
STRUCTURE FILE NUMBER: 8333556

DRAWN: MNM  
CHECKED: AMM  
REVISED:

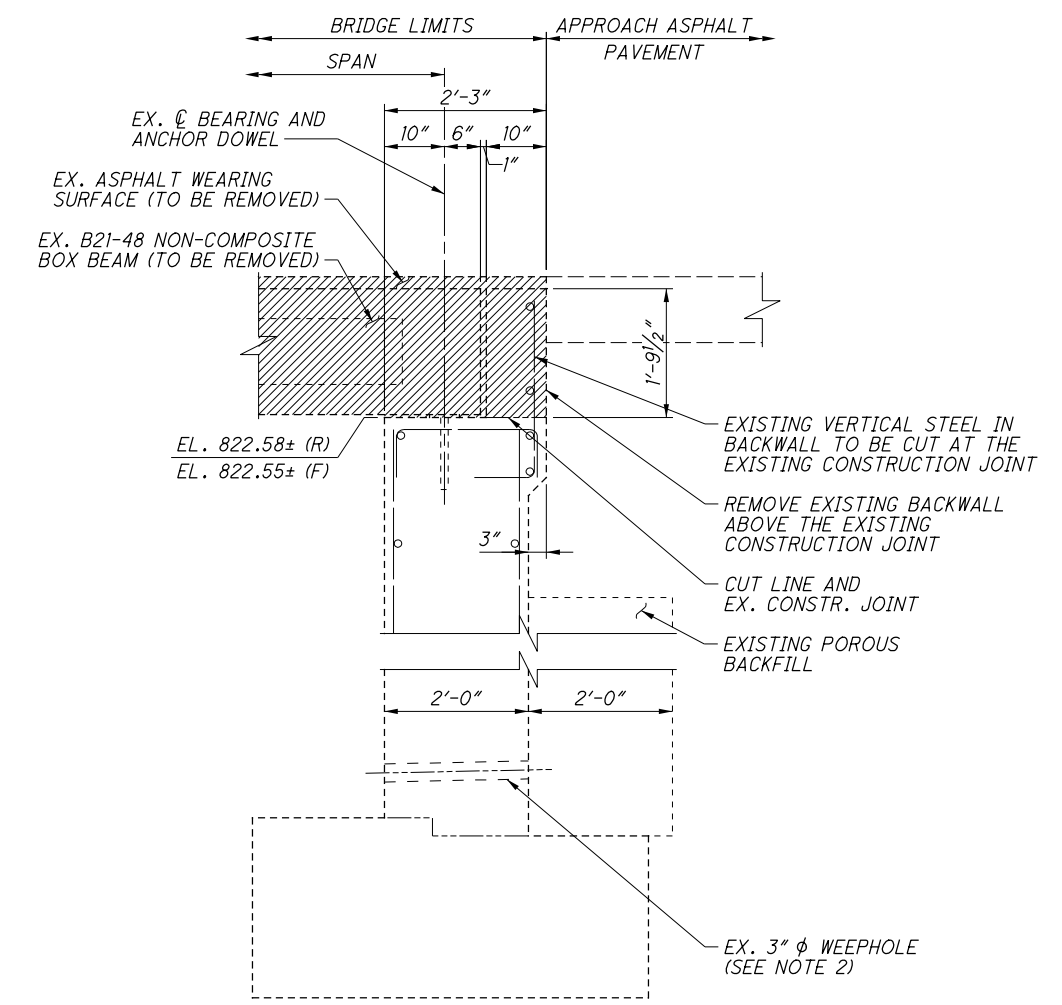
ESTIMATED QUANTITIES  
BRIDGE NO. WAR-CO196-0101  
EDWARDSVILLE ROAD (CO196) OVER LICK RUN

WAR-CO196-01.01  
PID No. 108833

F:\37\37028\3702800\04\_CAD\TRNS\370280\_WAR-EDWARDSVILL\Design\Structures\WAR196\_1010C\_Sheets\WAR196\_1010C\_SV001.dgn Sheet 4/20/2020 3:11:08 PM MNMetz



**EXISTING ABUTMENT REMOVAL PLAN**  
 (REAR ABUTMENT SHOWN, FORWARD ABUTMENT SIMILAR, BUT OPPOSITE HAND)



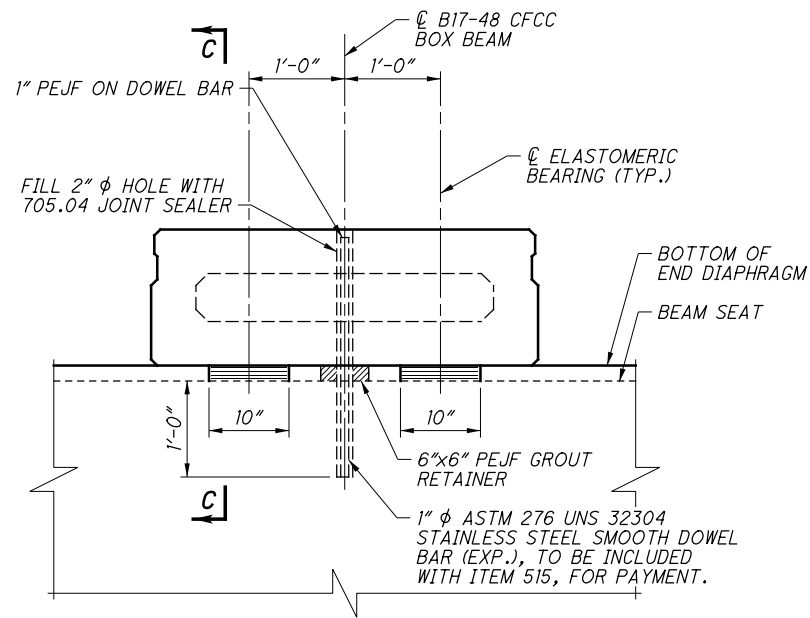
**SECTION A-A**

**LEGEND:**  
 - INDICATES AREAS TO BE REMOVED PER ITEM 202 - PORTIONS OF STRUCTURE REMOVED, OVER 20 FOOT SPAN, AS PER PLAN

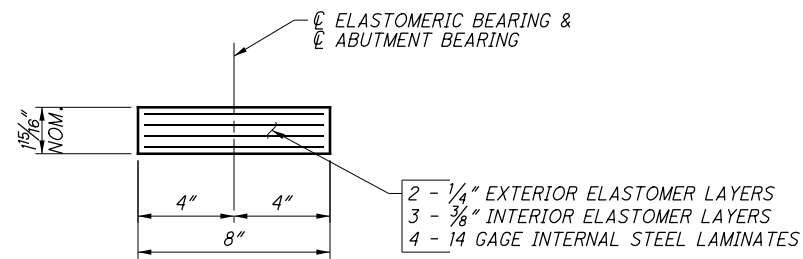
**NOTES:**  
 1. DIMENSIONS AND DATA TAKEN FROM EXISTING PLANS AND ARE FOR REFERENCE ONLY. ALL DIMENSIONS ARE CONSIDERED ±. THE CONTRACTOR SHALL FIELD VERIFY ALL EXISTING ELEVATIONS.  
 2. EXISTING WEEPHOLES TO BE CLEANED TO ENSURE PROPER DRAINAGE. PAYMENT FOR ALL LABOR, EQUIPMENT AND INCIDENTALS REQUIRED TO PERFORM THIS WORK SHALL BE INCLUDED WITH ITEM 202, PORTIONS OF STRUCTURE REMOVED, OVER 20 FOOT SPAN, AS PER PLAN.

<b>REMOVAL DETAILS</b>		DESIGN AGENCY <b>BARGE</b> DESIGN SOLUTIONS
DESIGNED BMG	DRAWN MNM	DATE JAN 20
CHECKED AWM	REVISED	STRUCTURE FILE NUMBER 8333556
BRIDGE NO. WAR-CO196-0101 EDWARDSVILLE ROAD (CO196) OVER LICK RUN		
WAR-CO196-01.01 PID No. 108833		5 / 9
22 26		

F:\37\37028\3702800\04\_CAD\_TRNS\370280\_WAR-EDWARDSVILL\Design\Structures\WAR196\_1010C\_Sheets\WAR196\_1010C\_SBO01.dgn Sheet 4/20/2020 3:11:08 PM MNMetz



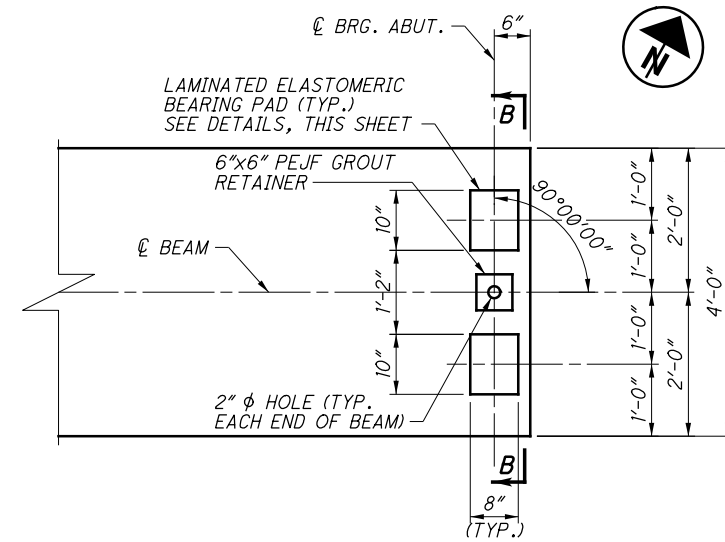
**SECTION B-B**  
(TYPICAL AT ALL BEAMS)



**SECTION C-C**  
(BEAMS AND SUBSTRUCTURE NOT SHOWN FOR CLARITY)

**LAMINATED ELASTOMERIC BEARING DETAILS**

LIVE LOAD REACTION (W/O IMPACT): 20.0 KIPS  
DEAD LOAD REACTION: 10.8 KIPS  
MAXIMUM DESIGN LOAD: 30.8 KIPS



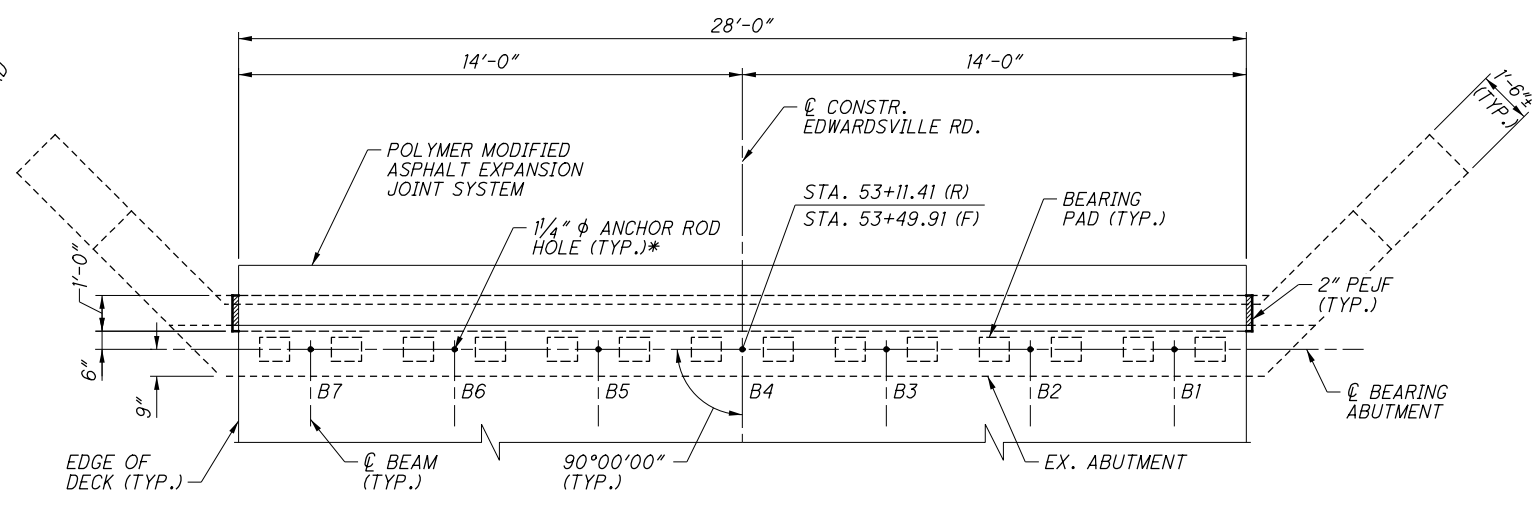
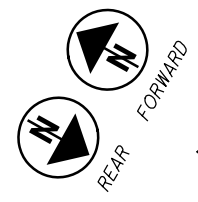
**BEARING PAD PLACEMENT PLAN**  
(FORWARD ABUTMENT SHOWN,  
REAR ABUTMENT SIMILAR, BUT OPPOSITE HAND)

**NOTES:**

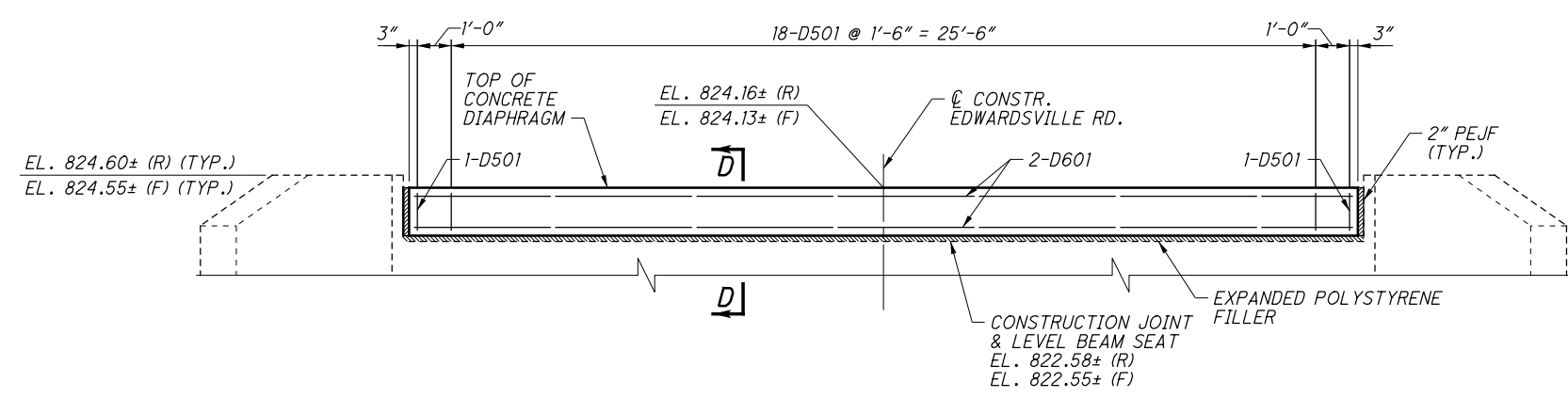
- ELASTOMERIC BEARINGS: THE ELASTOMER SHALL HAVE A HARDNESS OF 50 DUROMETER. THE BEARINGS WERE DESIGNED IN ACCORDANCE WITH SECTION 14.7.6 (METHOD A) OF THE AASHTO LRFD BRIDGE DESIGN SPECIFICATIONS. THE LONG-TERM COMPRESSION PROOF LOAD TEST (AASHTO STANDARD SPECIFICATIONS FOR HIGHWAY BRIDGES, DIVISION II, SECTION 18.7.2.6) IS NOT REQUIRED.
- ALL BEARINGS SHALL BE MARKED PRIOR TO SHIPPING. THE MARKS SHALL INCLUDE THE BEARING LOCATION ON THE BRIDGE AND A DIRECTION ARROW THAT POINTS UP-STATION. ALL MARKS SHALL BE PERMANENT AND BE VISIBLE AFTER THE BEARING IS INSTALLED.
- THE TOTAL DESIGN LOAD FOR THE BEARINGS EQUALS THE SUM OF THE DEAD LOADS AND LIVE LOADS TABULATED ON THIS SHEET. IMPACT IS NOT INCLUDED. LOADS ARE UNFACTORED.
- BASIS OF PAYMENT: THE UNIT BID PRICE SHALL INCLUDE ALL MATERIALS, LABOR, TESTING AND INCIDENTALS NECESSARY TO FURNISH AND INSTALL LAMINATED ELASTOMERIC BEARINGS. PAYMENT WILL BE MADE AT THE CONTRACT PRICE FOR ITEM 516, EACH, ELASTOMERIC BEARINGS WITH INTERNAL LAMINATES ONLY (NEOPRENE).

DESIGN AGENCY <b>BARGE</b> DESIGN SOLUTIONS	
DESIGNED BMG	CHECKED AWM
DRAWN MMM	REVISED
REVIEWED KSM	DATE JAN 20
STRUCTURE FILE NUMBER 8333556	
LAMINATED ELASTOMERIC BEARING DETAILS	
BRIDGE NO. WAR-CO196-0101	
EDWARDSVILLE ROAD (CO196) OVER LICK RUN	
WAR-CO196-01.01	
PID No. 108833	
6/9	
23 26	

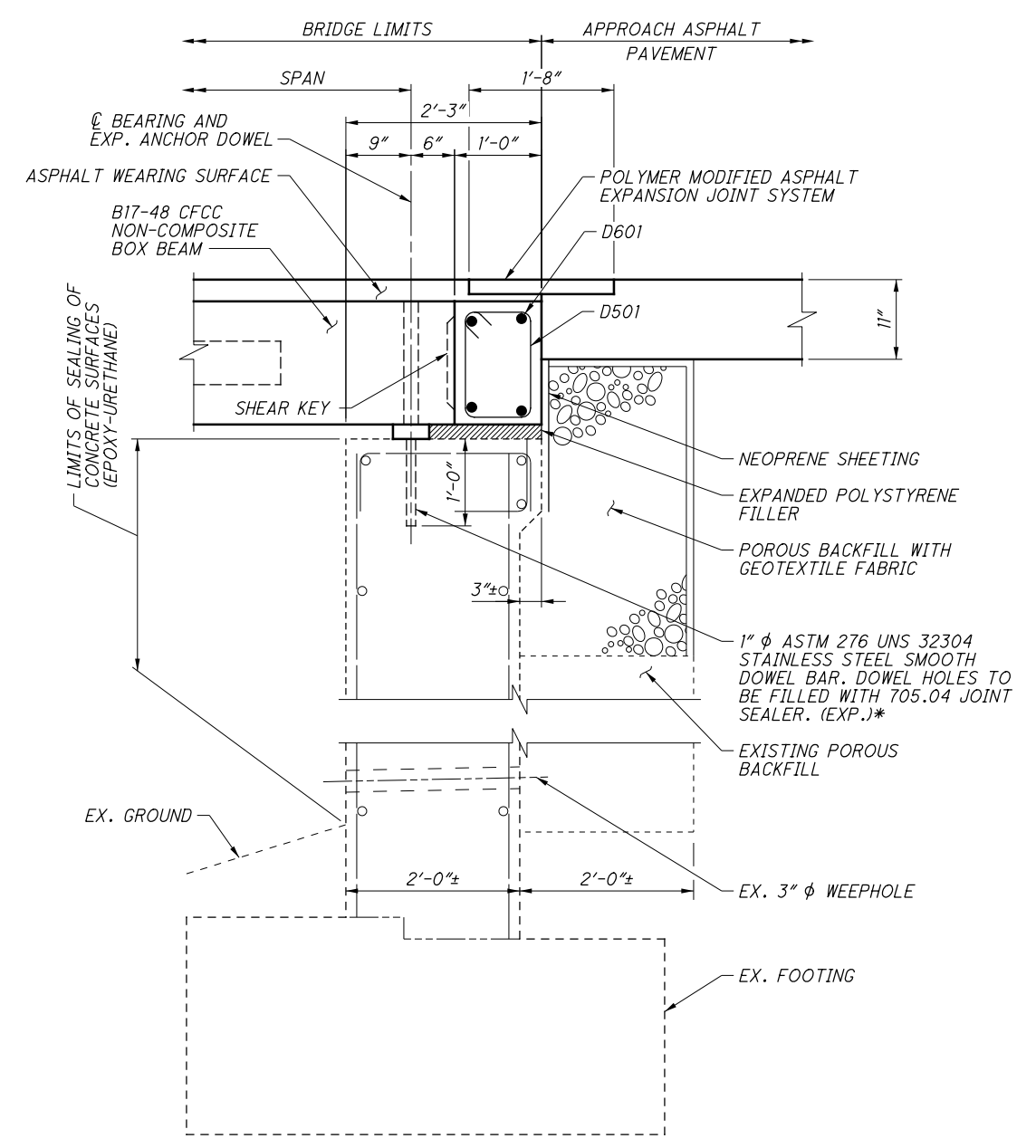
F:\37\37028\3702800\04\_CAD\TRNS\3702800\WAR-EDWARDSVILLE\Design\Structures\WAR196\_1010C\_Sheets\WAR196\_1010C\_Sheet.dgn Sheet 4/20/2020 3:11:09 PM MNMetz



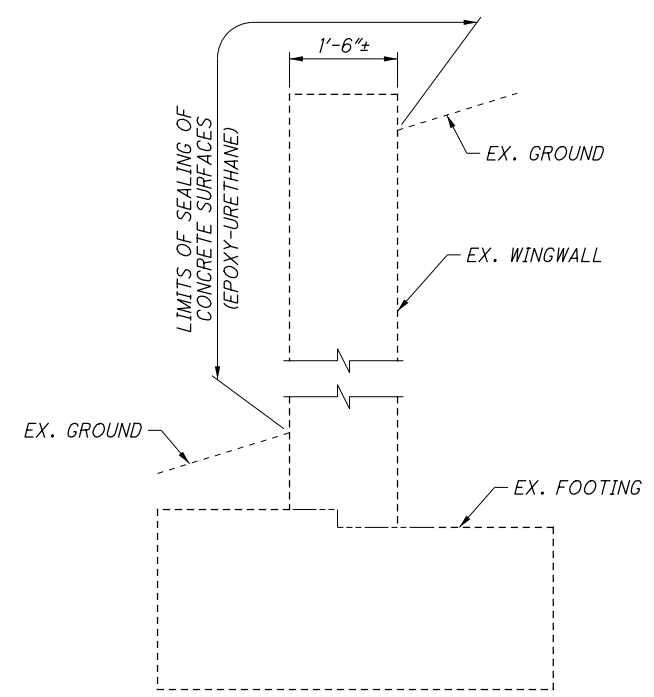
**END DIAPHRAGM PLAN**  
(REAR ABUTMENT SHOWN,  
FORWARD ABUTMENT SIMILAR, BUT OPPOSITE HAND)



**END DIAPHRAGM ELEVATION**  
(REAR ABUTMENT SHOWN,  
FORWARD ABUTMENT SIMILAR, BUT OPPOSITE HAND)

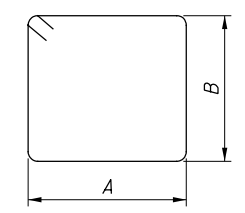


**SECTION D-D**  
(BARS FROM BEAM NOT SHOWN FOR CLARITY)



**WINGWALL SEALING LIMITS**

REINFORCING STEEL LIST						
MARK	NUMBER	LENGTH	WEIGHT	TYPE	DIMENSIONS	
					A	B
<b>DIAPHRAGMS</b>						
D501	40	4'-2"	175	3	8"	1'-1"
D601	8	27'-8"	331	STR		
SUB-TOTAL			506			



**TYPE-3**

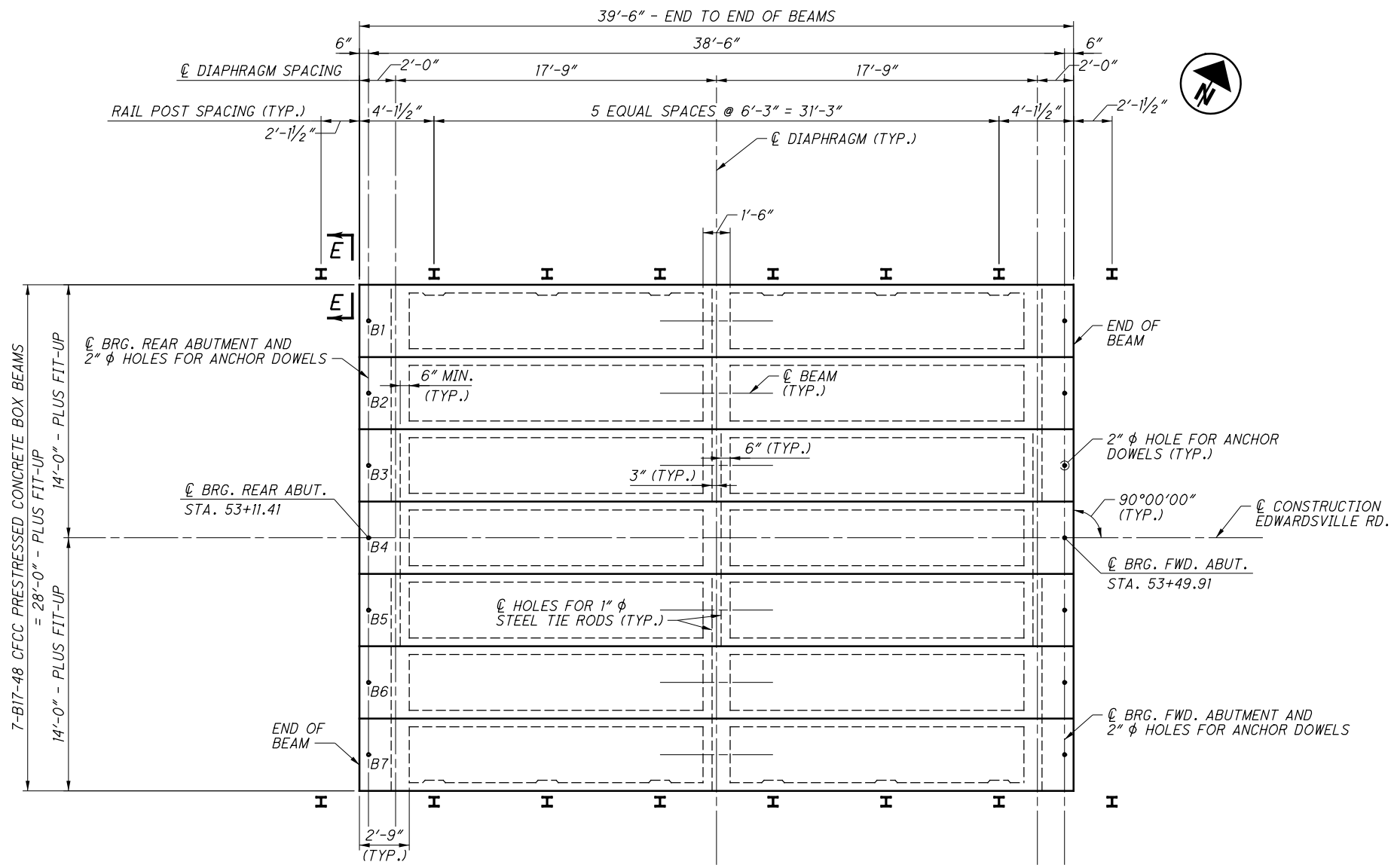
- REINFORCING STEEL LIST NOTES:**
- ALL REINFORCING STEEL BARS IN THE END DIAPHRAGM SHALL BE ASTM A276 UNS 32304 STAINLESS STEEL.
  - THE REINFORCING STEEL WEIGHT IS BASED ON STAINLESS STEEL.
  - ALL DIMENSIONS ARE OUT TO OUT OF BAR.
  - THE BAR SIZE NUMBER IS SPECIFIED ON THE PLANS IN THE BAR MARK COLUMN. THE FIRST DIGIT AFTER THE LETTER WHERE THREE DIGITS ARE USED AND THE FIRST TWO DIGITS AFTER THE LETTER WHERE FOUR ARE USED, INDICATES THE BAR SIZE NUMBER. FOR EXAMPLE, S601:  
S: LOCATION OF THE BAR IN THE STRUCTURE (SUPERSTRUCTURE)  
6: BAR SIZE DIMENSION NO. 6  
01: SEQUENCE NUMBER

**LEGEND:**  
\* - FIELD DRILL 1/4" MINIMUM DIAMETER HOLES IN EXISTING ABUTMENT SEAT FOR THE PROPOSED BEAMS, TO THE DEPTH SHOWN. FILL WITH 705.04 JOINT SEALER. DRILLING AND JOINT SEALER INCLUDED WITH ITEM 515 FOR PAYMENT.

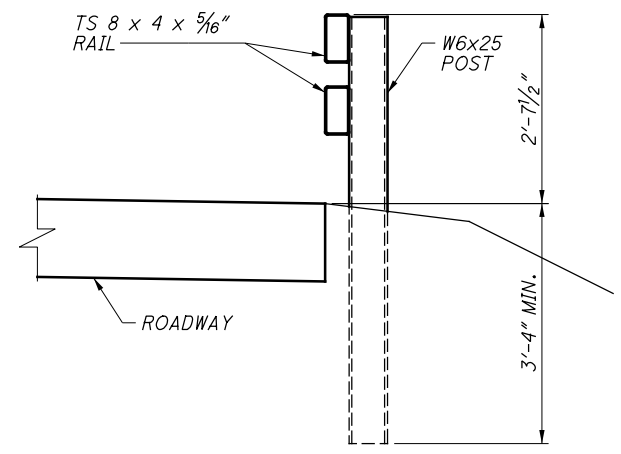
**NOTES:**  
1. FOR GENERAL NOTES, SEE SHEETS 2/9 AND 3/9.



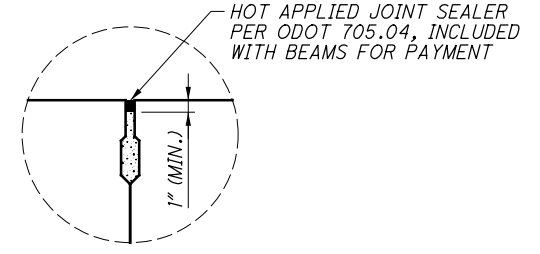
F:\37\37028\04\_CAD\TRNS\370280\_WAR-EDWARDSVILLE\Design\Structures\WAR196\_1010C\_Sheets\WAR196\_1010C.dgn Sheet 4/20/2020 3:11:10 PM MNMetz



**FRAMING PLAN**

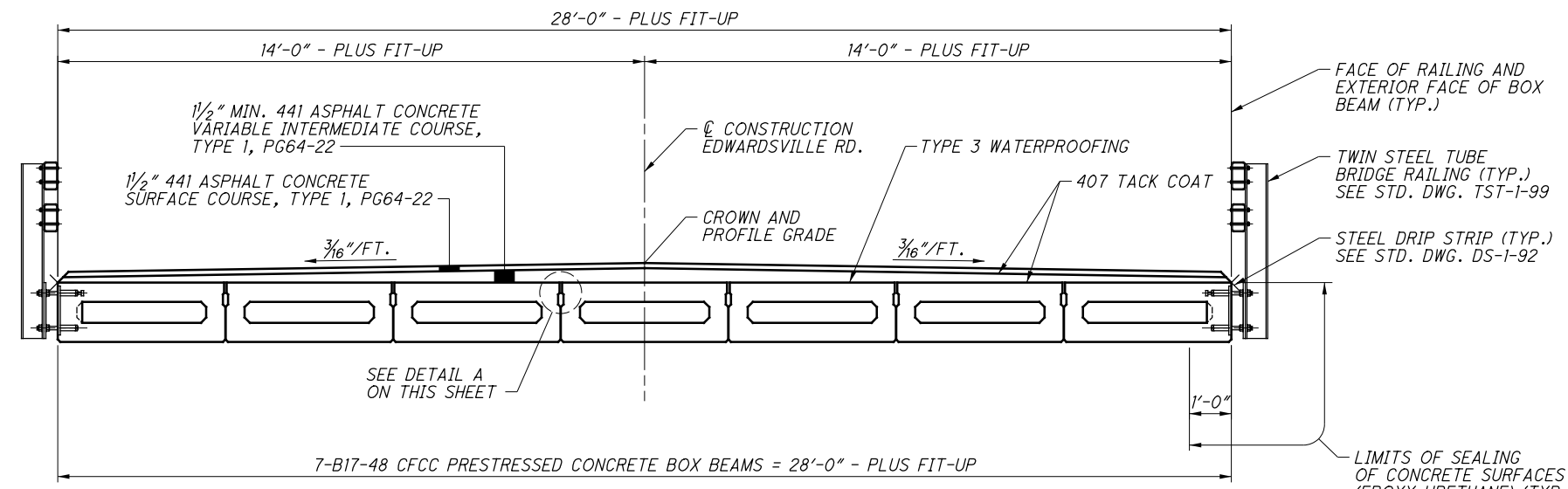


**SECTION E-E  
(AT ROADWAY)**



**DETAIL A**

SHEAR KEYS SHALL BE FILLED WITH NON-SHRINK MORTAR TO A FINISHED PLANE 1" BELOW TOP OF BEAM. FILL LAST 1" WITH HOT APPLIED JOINT SEALER PER ODOT SPECIFICATION 705.04. BLOCK OFF ENDS OF BEAM TEMPORARILY TO RETAIN SEALER.



**TRANSVERSE SECTION**

**NOTES:**

- FOR NOTES REGARDING PRESTRESSED CONCRETE BOX BEAM DETAILS AND FOR ADDITIONAL DETAILS, SEE STD. DWG. PSBD-2-07, SHEETS 1 THRU 4 OF 4.
- FOR STAINLESS STEEL REINFORCING AND CFCC PATTERN OF BEAMS, SEE SHEET 9/9.
- FOR DOWEL HOLES IN ENDS OF BEAMS, PLACEMENT OF LAMINATED ELASTOMERIC BEARINGS AND LAMINATED ELASTOMERIC BEARING PAD DETAILS, SEE SHEET 6/9.
- FOR ASPHALT THICKNESS DIAGRAM, SEE SHEET 9/9.
- FOR GENERAL NOTES, SEE SHEETS 2/9 AND 3/9.
- FOR RAILING DETAILS, SEE STD. DWG. TST-1-99.
- ASPHALT CONCRETE WEARING COURSE SHALL CONSIST OF A VARIABLE THICKNESS OF 441 ASPHALT INTERMEDIATE COURSE, TYPE 1, PG64-22 AND A SECOND 1/2" THICKNESS OF 441 ASPHALT CONCRETE SURFACE COURSE, TYPE 1, PG64-22.

<b>DESIGN AGENCY</b>		<b>BARGE</b>		<b>DESIGN SOLUTIONS</b>	
DESIGNED	BMG	CHECKED	AWM	DATE	JAN 20
DRAWN	MNM	REVISION		REVIEWED	KSM
FRAMING PLAN AND TRANSVERSE SECTION			BRIDGE NO. WAR-CO196-0101		
WAR-CO196-01.01			EDWARDSVILLE ROAD (CO196) OVER LICK RUN		
PID No. 108833					
8/9		25			
26					



***BID/CONTRACT DOCUMENTS  
EDWARDSVILLE ROAD BRIDGE #196-1.01 REHABILITATION  
PROJECT***

***ON BEHALF OF  
NEIL F. TUNISON  
WARREN COUNTY ENGINEER***

**WARREN COUNTY BOARD OF COMMISSIONERS  
406 JUSTICE DRIVE  
LEBANON, OHIO 45036  
(513) 695-1250**

**PROPOSAL PRICE (BID) SHEET**

**EDWARDSVILLE ROAD BRIDGE #196-1.01 REHABILITATION PROJECT  
BID PROPOSAL**

<b>Item No.</b>	<b>Description</b>	<b>Quantity</b>	<b>Unit</b>	<b>Unit Cost</b>	<b>Total Cost</b>
	<b>ROADWAY</b>				
201	Clearing and Grubbing, As Per Proposal Note	1	Lump		
202	Guardrail Removed	42	FT		
202	Fence Removed, As Per Proposal Note	26	FT		
203	Excavation Including Pavement Removal, As Per Proposal Note	215	CY		
203	Embankment	48	CY		
204	Subgrade Compaction	851	SY		
204	Proof Rolling	1	Hour		
606	Guardrail, Type MGS	187.5	FT		
606	Anchor Assembly, Type E	1	Each		
606	Anchor Assembly, Type T	3	Each		
606	Bridge Terminal Assembly, Type 1	3	Each		
606	Bridge Terminal Assembly, Type 1, As Per Plan	1	Each		
Special	Mailbox Removed and Reset	1	Each		
				<b>Sub-Total =</b>	
	<b>EROSION CONTROL</b>				
659	Topsail	75	CY		
659	Seeding and Mulching	667	SY		
659	Commercial Fertilizer	0.10	Ton		
659	Lime	0.14	Acre		
659	Water	4	M Gal		
832	Erosion Control, As Per Proposal Note	2,500	Each	\$ 1.00	\$ 2,500.00
				<b>Sub-Total =</b>	
	<b>PAVEMENT</b>				
301	Asphalt Concrete Base, PG 64-22	165	CY		
304	Aggregate Base (Driveways)	3	CY		
407	Tack Coat, As Per Proposal Note	169	GAL		
441	Asphalt Concrete Surface Course, Type 1, (448), PG 64-22	35	CY		
441	Asphalt Concrete Intermediate Course, Type 1, (448), PG 64-22	39	CY		
441	Asphalt Concrete Surface Course, Type 1, (448), PG 64-22, (Driveways)	3	CY		
				<b>Sub-Total =</b>	
	<b>TRAFFIC CONTROL</b>				
626	Barrier Reflector, Type A2 (Bi-Directional)	10	Each		
630	Removal of Ground Mounted Sign and Storage, As Per Plan	4	Each		
630	Removal of Ground Mounted Post Support and Disposal	1	Each		
644	Edge Line, 4 inch	0.12	Mile		
644	Center Line	0.06	Mile		
				<b>Sub-Total =</b>	



**EDWARDSVILLE ROAD BRIDGE #196-1.01 REHABILITATION PROJECT  
BID PROPOSAL**

<b>Item No.</b>	<b>Description</b>	<b>Quantity</b>	<b>Unit</b>	<b>Unit Cost</b>	<b>Total Cost</b>
	<b>MISCELLANEOUS</b>				
614	Maintaining Traffic	1	Lump		
623	Construction Layout Stakes and Surveying	1	Lump		
624	Mobilization	1	Lump		
				<b>Sub-Total =</b>	
	<b>BRIDGE</b>				
202	Portions of Structure Removed, As Per Plan	1	Lump		
202	Wearing Course Removed	111	SY		
304	Aggregate Base, As Per Proposal Note	25	CY		
503	Unclassified Excavation, As Per Proposal Note	1	Lump		
509	Reinforcing Steel, As Per Plan (Stainless Steel Rebar)	506	Pounds		
511	Class QC2 Concrete, Superstructure, As Per Proposal Note	3	CY		
512	Sealing of Concrete Surfaces (Epoxy-Urethane), As Per Proposal Note	125	SY		
512	Type 3 Waterproofing	126	SY		
515	Prestressed Concrete Non-Composite Box Beam Memers, Level 1, B17-48, As Per Plan (CFCC)	7	Each		
516	2" Prefomed Expansion Joint Filler	6	SF		
516	Semi-Integral Abutment Expansion Joint Seal	75	FT		
516	1/8" Prefomed Bearing Pad	14	Each		
516	Elastomeric Bearing With Internal Laminates Only (Neoprene) (8"x10"x1 15/16")	28	Each		
517	Railing (Twin Steel Tube), As Per Plan	98	FT		
518	Porous Backfill With Geotextile Fabric	15	CY		
518	Steel Drip Strip, As Per Proposal Note	97	FT		
519	Patching Concrete Structure, As Per Proposal Note	55	SF		
843	Patching Concrete Structure With Trowelable Mortar, As Per Proposal Note	20	SF		
846	Polymer Modified Asphalt Expansion Joint System	24	CF		
				<b>Sub-Total =</b>	
				<b>Total Bid Price =</b>	

## **BID PROPOSAL**

Proposal for the Edwardsville Road Bridge #196-1.01 Rehabilitation Project. This work consists of rehabilitating the existing bridge and completing the related roadway items along Edwardsville Road. The project shall be as per plans and specifications as provided by the Warren County Engineer.

The undersigned do hereby propose to furnish all labor, materials, tools, equipment, etc., necessary to construct this project for the Warren County Engineer's Office. The above quotations to be in full force and effect for sixty (60) days after the date of opening bids. The full name and address of all persons and parties interested in the foregoing bids as principals are as follows:

**TOTAL BID PRICE \$ \_\_\_\_\_**

The contract will be awarded to the best and most responsive bid based on the qualifications of the Contractor and the total price of the Total Bid Price.

### **SIGNED**

\_\_\_\_\_  
PRESIDENT

\_\_\_\_\_  
COMPANY

\_\_\_\_\_  
SECRETARY

\_\_\_\_\_  
BY

\_\_\_\_\_  
TITLE

\_\_\_\_\_  
DATE

\_\_\_\_\_  
ADDRESS

\_\_\_\_\_

## EXCEPTION SHEET

Exceptions: Exceptions to any bid specification must be clearly stated on this sheet. This sheet must be submitted with each bid. If there are no exceptions, please indicate "none" below.

1) \_\_\_\_\_

2) \_\_\_\_\_

3) \_\_\_\_\_

4) \_\_\_\_\_

5) \_\_\_\_\_

6) \_\_\_\_\_

7) \_\_\_\_\_

8) \_\_\_\_\_

9) \_\_\_\_\_

10) \_\_\_\_\_

**BIDDER IDENTIFICATION**

ATTENTION BIDDER:

Please fill out this form and submit with your bid.

COMPANY NAME:

---

CHIEF EXECUTIVE OFFICER:

---

ADDRESS:

---

---

PHONE NUMBER:

---

FAX NUMBER:

---

PROJECT CONTACT PERSON:

---

PHONE NUMBER:

---

E-MAIL ADDRESS:

---

FEDERAL ID #:

---

WEBSITE ADDRESS:

---

## TABLE OF CONTENTS

- Proposal Price (Bid) Sheet
- Exception Sheet
- Bidder Identification
- A) Invitation to Bidders
  - Directions to Warren County Administration Building
- B) General Instructions to Bidders
- C) Noncollusion Affidavit
- D) Bid Guaranty & Contract Bond
- E) Performance Bond
- F) Contract
- G) Bond & Insurance Requirements
- H) Experience Statement
- I) Affidavit of Non-Delinquency of Real and/or Personal Property Tax
- J) Non-Discrimination and Equal Employment Opportunity Requirements and Affidavit
- K) Findings for Recovery Affidavit
- L) Wage Rate Determination
- M) Special Provisions/Technical Specifications



***SECTION A***

***INVITATION TO BIDDERS***

## INVITATION TO BIDDERS

Separate sealed bids for the Edwardsville Road Bridge #196-1.01 Rehabilitation Project will be received by the Warren County Board of Commissioners at the Office of the Warren County Commissioners, 406 Justice Drive, Lebanon, Ohio 45036, until 9:00 a.m., February 2, 2021, and then at said time publicly opened and read aloud.

Bid documents and specifications are available online at the Warren County's Website at [www.co.warren.oh.us/commissioners/bids](http://www.co.warren.oh.us/commissioners/bids). Questions regarding the technical specifications should be directed to Roy Henson, Warren County Engineer's Office, at (513) 695-3310. Each contractor shall be ODOT prequalified. Each bid shall contain the full name of each person or company submitting the bid and be accompanied by a bid bond for the full amount of the bid or a certified check in the amount equal to ten (10) percent of the bid.

To access bid project information, under the "Your Government" heading click on the "Board of Commissioners" tab, then click on the "Bid Projects" tab and choose the project you wish to obtain information about. Please contact the Warren County Commissioners Office at (513) 695-1250 if you have trouble with this procedure or if you need additional information on accessing bid project information on our website.

If the contractor would like to bid the project, they must contact [Kiana.Hawk@co.warren.oh.us](mailto:Kiana.Hawk@co.warren.oh.us) to be put on the bidders list. Please be aware that if you are downloading this document to bid this project, addendums to the scope may be issued prior to the bid date. In order to stay updated on any change, please email Laura Lander in the Commissioners' Office at [Kiana.Hawk@co.warren.oh.us](mailto:Kiana.Hawk@co.warren.oh.us) with your contact information.

A Bid guaranty, as required by Ohio Revised Code, Section 153.54, shall accompany each proposal submitted, as follows:

1. A Certified check, cashiers check, or letter of credit equal to ten (10) percent of the bid. A letter of credit may only be revocable by the Owner. Upon entering into a contract with the Owner, the contractor must file a performance bond for the amount of the contract, and the bid guaranty will then be returned to the successful and unsuccessful bidders upon contract execution.

**OR**


2. A form of bid guaranty bond (attached) for the full amount of the bid. Such bond is retained for the successful bidder, but returned to unsuccessful bidders after the contract is executed.

Attention of bidders is called to all of the requirements contained in the bid packet. No bidder may withdraw his/her bid within sixty (60) days after the actual date of the opening thereof. All bids shall be properly signed by an authorized representative of the bidder.

All bids shall be sealed and plainly marked "Bid Opening – EDWARDSVILLE ROAD BRIDGE #196-1.01 REHABILITATION PROJECT, FEBRUARY 2, 2021 @ 9:00 A.M."

Warren County reserves the right to reject any or all bids submitted, to waive any irregularities in bids, and enter into a contract with the Bidder who in Warren County's consideration offered the lowest and best bid.

By order of the Board of County Commissioners, County of Warren, State of Ohio.

  
\_\_\_\_\_  
Tina Osborne, Clerk

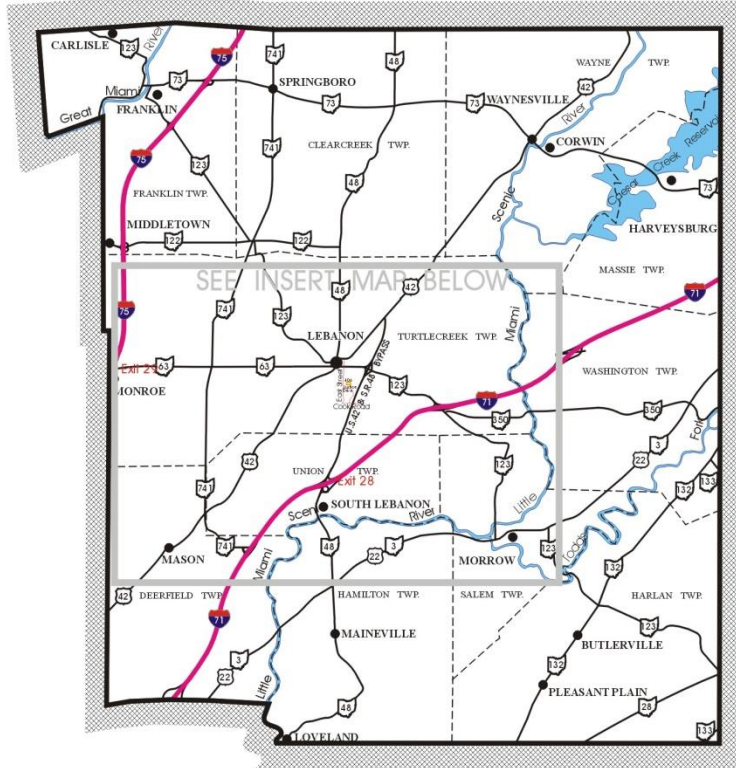


# DIRECTIONS FROM INTERSTATE HIGHWAYS 71 & 75 TO WARREN COUNTY, OHIO

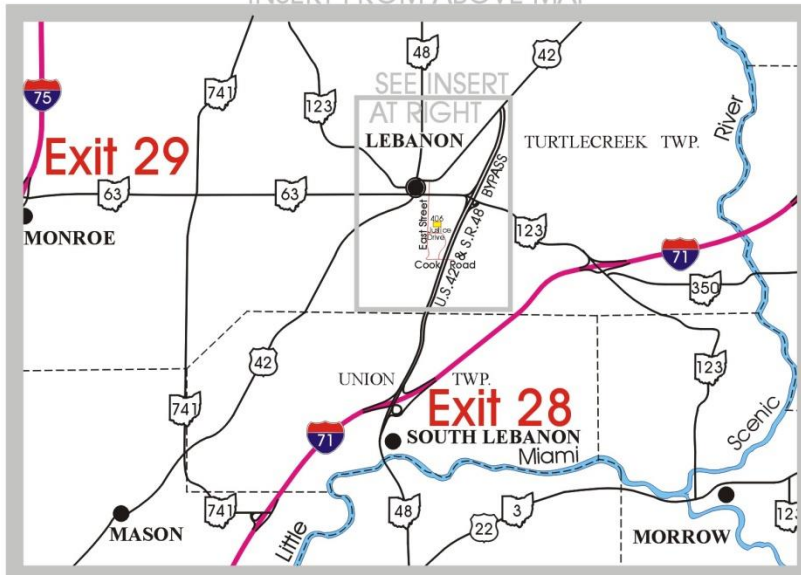
COUNTY ADMINISTRATION BUILDING



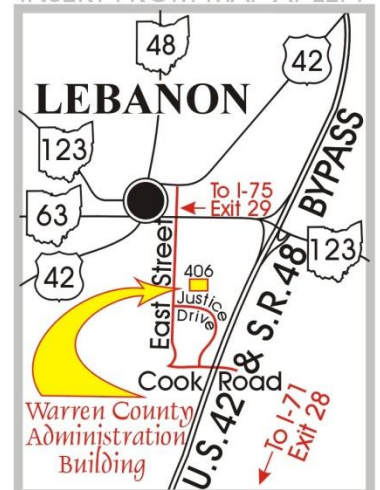
TRI-STATE REGION COUNTIES



INSERT FROM ABOVE MAP



INSERT FROM MAP AT LEFT



- FROM INTERSTATE 75:**
- Take Monroe / Lebanon Exit 29,
  - Head East on S. R. 63 into Lebanon,
  - Turn right onto East Street,
  - Turn left onto Justice Drive,
  - Turn left into parking lot,
  - At first driveway on left.
- FROM INTERSTATE 71:**
- Take Lebanon / South Lebanon Exit 28,
  - Head North on U. S. 42 / S. R. 48 Bypass,
  - Turn left onto Cook Road at traffic light,
  - Turn at first right onto Justice Drive,
  - Turn right at first street on right,
  - Then left into parking lot at first left.

Map Prepared By: Warren County Regional Planning Commission

***SECTION B***

***GENERAL INSTRUCTIONS TO BIDDERS***

## GENERAL INSTRUCTIONS TO BIDDERS

1. **Receipt and Opening of Bids:** The Warren County Board of Commissioners (herein referred to as "Owner"), invites bids on the form attached hereto, all blanks of which must be appropriately filled in. Bids will be received by the Owner at the Office of the Warren County Board of Commissioners until 9:00 a.m., February 2, 2021, and then at said office publicly opened and read aloud. The envelopes containing the bids must be sealed, addressed to Warren County Board of Commissioners at 406 Justice Drive, Lebanon, Ohio 45036. Bids shall be submitted in a sealed envelope clearly marked **“BID OPENING – EDWARDSVILLE ROAD BRIDGE #196-1.01 REHABILITATION PROJECT, FEBRUARY 2, 2021 @ 9:00 A.M.”**

The Owner may consider informal any bid not prepared and submitted in accordance with the provisions hereof and may waive any informalities or reject any and all bids. Any bid may be withdrawn prior to the above scheduled time for the opening of bids or authorized postponement thereof. Any bid received after the time and date specified shall not be considered. No bidder may withdraw a bid within 60 days after the actual date of the opening thereof.

2. **Withdraw of Bid:** A Bidder may withdraw his bid from consideration if the price bid was substantially lower than the other bids, provided the bid was submitted in good faith and the reason for the price being substantially lower was a clerical mistake as opposed to a judgment mistake and was actually due to an unintentional omission of a substantial quantity of work, labor or material made directly in the compilation of the bid. Request to withdraw such bid must be made in writing and filed with the Owner within two business days after the opening of bids and prior to the acceptance thereof.
3. **Preparation of Bid:** Each bid must be submitted on the prescribed form and such documents as hereunder described. All blank spaces for bid prices must be filled in, in ink or typewritten, in both words and figures, and the foregoing certifications must be fully completed and executed when submitted.
4. **Method of Bidding:** The Owner invites the following bid(s):

### **EDWARDSVILLE ROAD BRIDGE #196-1.01 REHABILITATION PROJECT**

Bids shall be submitted at the time and place indicated in the Invitation to Bidder and shall be included in a sealed envelope, marked with the project title and name and address of the bidder and accompanied by the bid security and other required documents.

Bids may be modified or withdrawn by an appropriate document duly executed (in the manner that a bid must be executed) and delivered to the place where bids are to be submitted at any time prior to the opening of bids.

The Owner invites unit price bids for the construction described in the plans and specifications. These unit prices shall be extended by estimated quantities to develop a total price for the project.

If the total price received from the lowest and best bidder exceeds the amount of funds available to finance the contract, the Owner may:

- a. Reject all bids;
  - b. Augment the funds available in an amount sufficient to enable award to the lowest and best bidder;
  - c. Reduce the scope of work by eliminating certain items of work to produce a total bid which is within available funds;
  - d. Reduce the scope of work by reducing the quantity of certain items of work to produce a total bid which is within available funds;
  - e. Reduce the scope of work by a combination of adjustments as outlined in "c" and "d" above to produce a total bid which is within available funds.
  - f. The Owner may reject all bids or may award the contract on the base bid or on the base bid combined with additions or deductible alternates as produces a net amount which is within the available funds.
  - g. The Owner may consider informal and may reject any bid not prepared and submitted in accordance with the provisions hereof. The Owner reserves the right to reject all bids, to waive any informalities or irregularities in the bids received, and to accept any bid which is deemed lowest and best.
5. **Qualification of Bidder:** The Owner may make such investigations as he/she deems necessary to determine the ability of the bidder to perform the work, and the bidder shall furnish to the Owner all such information and data for this purpose as the Owner may request. The Owner reserves the right to reject any bid if the evidence submitted by, or investigation of, such bidder fails to satisfy the Owner that such bidder is properly qualified to carry out the obligations of the contract and to complete the work contemplated therein; conditional bids will not be accepted.
6. **Bid Security:** Each bid must be accompanied by cash, certified check of the bidder, letter of credit equal to ten (10) percent of the bid, or a bid bond prepared on the form of bid bond attached hereto, duly executed by the bidder as principal and having as surety thereon a surety company approved by the Owner. (See Invitation to Bidders for required amounts) Such cash, checks or bid bonds will be returned to bidders after the Owner has awarded the bid and has executed the contract, or, if no award has been made within 60 days after the date of the opening of bids, upon demand of the bidder at any time thereafter, so long as he/she has not been notified of the acceptance of his/her bid.
7. **Liquidated Damages for Failure to Enter into Contract:** Submission of a bid shall be a representation by the Contractor that it has fully reviewed and is familiar with the Contract and all contract documents as defined in the contract and will execute the contract if awarded the bid. The successful bidder, upon his/her failure or refusal to execute and deliver the Contract (attached hereto) and required bonds within 10 days after he/she has received notice of the acceptance of his/her bid, shall forfeit to the Owner, as liquidated damages for such failure or refusal, the security deposited with his/her bid.



8. **Time of Completion and Liquidated Damages:** Bidder must agree to commence work on or before a date to be specified in a written "Notice to Proceed" of the Owner and to fully complete the project in 10 weeks after written notice-to-proceed has been issued and a preconstruction meeting has been held. The completion date may be extended in the event of adverse weather conditions. Bidder must agree also to pay as liquidated damaged the sum of \$400.00 for each consecutive calendar day thereafter.
9. **NO DAMAGE FOR DELAY:** No payment, compensation or adjustment of any kind shall be made to the contract price for damages incurred by the contractor because of hindrances or delays in the progress of the work from any cause that is not proximately caused by the Owner's action or failure to act. Whether such hindrances or delays are avoidable or unavoidable, the contractor agrees that he or she will make no claim for compensation, damages or mitigation of liquidated damages for any such delays. Examples of delays include (but are in no manner limited to) obtaining all necessary permission from any government agency or any private party, any act or failure to act by any other contractor, subcontractor and/or supplier, all foreseen and unforeseen events and any conditions or acts of God. It is understood and agreed that the contractor assumes all risks of delays in prosecuting or completing the work under the contract that are not proximately caused by the Owner's action or failure to act. The contractor will accept in full satisfaction for such delays, an extension of time, if any, agreed to by the Owner.
10. **Conditions of Work:** Each bidder must inform him/herself fully of the conditions relating to the construction of the project and the employment of labor thereon. Failure to do so will not relieve a successful bidder of his/her obligation to furnish all material and labor necessary to carry out the provisions of his/her contract. Insofar as possible the contractor, in carrying out the work, must employ such methods or means or will not cause any interruption of or interference with the work of any other contractor.
11. **Addenda and Interpretations:** No interpretation of the meaning of the plans, specifications or other pre-bid documents will be made to any bidder orally. Every request for such interpretation must be in writing and addressed to: Roy Henson, Warren County Engineer's Office, 210 West Main Street, Lebanon, Ohio, 45036, and to be given consideration must be received at least five days prior to the date fixed for the opening of bids. All such interpretations and any supplemental instructions will be in the form of written addenda to the specifications which, if issued, will be mailed by certified mail with return receipt requested to all prospective bidders (at the respective addresses furnished for such purposes), no later than three days prior to the date fixed for the opening of bids. Failure of any bidder to receive any such addendum or interpretations shall not relieve such bidder from any obligation under his/her bid as submitted. All addenda so issued shall become part of the contract documents.
12. **Security for Faithful Performance:** Simultaneously with the delivery of the executed Contract, the Contractor shall furnish payment and performance bonds as security for faithful performance of this contract and for the payment of all subcontracts, suppliers and laborers performing labor on the project under the Contract and furnishing materials in connection with the Contract.

The surety on such bond or bonds shall be a duly authorized surety company satisfactory to the Owner. Please note that upon execution of the Contract if a Bid Guaranty/Contract Bond was submitted with your original bid a Performance Bond will not be required.

13. **Power of Attorney:** Attorneys-in-fact who sign bid bonds or contract bonds must file with each bond a certified and effectively dated copy of their power of attorney.
14. **Laws and Regulations:** The bidder's attention is directed to the fact that all applicable State laws, municipal ordinances, and the rules and regulations of all authorities having jurisdiction over construction of the project shall apply to the contract throughout, and they will be deemed to be included in the contract the same as though herein written out in full.
15. **Method of Award - Lowest Qualified Bidder:** The Owner may reject all bids or may award the contract on the base bid or on the base bid combined with additions or deductible alternates as produces a net amount which is within the available funds.
16. **Obligation of Bidder:** At the time of the opening of bids each bidder will be presumed to have inspected the site and to have read and to be thoroughly familiar with the plans and contract documents (including all addenda). The failure or omission of any bidder to examine any form, instrument or document shall in no way relieve any bidder from any obligation in respect of his/her bid.
17. **Safety Standards and Accident Prevention:** With respect to all work performed under this contract, the Contractor shall:
  - a. Comply with the safety standards provisions of applicable laws, building and construction codes and the "Manual of Accident Prevention in Construction" published by the Associated General Contractors of America, the requirements of the Occupational Safety and Health Act of 1970 (Public Law 91-596), and the requirements of title 29 of the code of Federal Regulations, Section 1518 as published in the "Federal Register", Volume 36, N. 75, Saturday, April 17, 1971.
  - b. Exercise every precaution at all times for the prevention of accidents and the protection of persons (including employees) and property.
  - c. Maintain at his/her office or other well known place at the job site, all articles necessary for giving first aid to the injured, and shall make standing arrangements for the immediate removal to a hospital or doctor's care of persons (including employees) who may be injured at the job site. In no case shall employees be permitted to work at a job site before the employer has made a standing arrangement for removal of injured persons to a hospital or a doctor's care.
18. **Examination of Site:** Each bidder shall, and is hereby directed to inspect the entire site of the proposed work and judge for him/herself as to all the circumstances affecting the cost and progress of the work and shall assume all patent and latent risks in connection therewith.
19. **Soil Conditions:** Subject to the convenience of the Owner, prospective bidders will be permitted to explore the site by making borings or digging test pits. In such event, the work shall be done at the sole expense and risk of the bidder, and he/she shall maintain and restore

the site to original condition. The Owner does not guarantee the accuracy of any information or samples which it may have obtained from test borings or otherwise as to the kind or condition of the soil that may be encountered in the prosecution of the proposed work, neither does the Owner represent that the plans and specifications drawn are based upon any data so obtained. The Owner does not make any representation as to the soil which may be encountered or of soil or water which underlies the work or is adjacent thereto, including any difficulties that may be due to quicksand, or other unfavorable conditions that may be encountered in the work, whether apparent upon surface inspection or disclosed in the process of carrying forward the work.

20. **Water Supply:** All water for construction purposes, as well as the expense of having water conveyed about the work, must be provided by the Contractor and the cost of this work shall be included in the unit prices stipulated for the various items of the work to be done under this contract.
21. **Working Facilities:** The plans show, in the general manner, the existing structures and the land available for construction purposes. The bidders must satisfy themselves of the conditions and difficulties that may be encountered in the execution of the work at this site.
22. **Permits:** The Contractor shall take out all necessary permits from the proper authorities, and shall give all notices required by law or ordinance. The charge or fee for any permit issued by the proper authority shall be borne by the contractor.
23. **Signature of Bidders:** The firm, corporate or individual name of the bidder must be signed in ink in the space provided for the signatures on the proposed blanks. In the case of a corporation, the title of the officer signing must be stated and such officer must be thereunto duly authorized and the seal of said corporation duly affixed. In the case of a partnership, the signature of at least one of the partners must follow the firm name, using the term "member of the firm." In the case of an individual, use the terms "doing business as", or "sole owner." The bidder shall further state in his/her proposal the name and address of each person or corporation interested therein.
24. **Right to Accept or Reject Proposals:** The Owner may consider informal and may reject any bid not prepared and submitted in accordance with the provisions hereof. The Owner reserves the right to reject all bids, to waive any informalities or irregularities in the bids received, and to accept any bid which is deemed lowest and best.
25. **Non-Collusion Affidavit:** The successful bidder will be required to submit a non-collusion affidavit on the form included in these Bid/Contract documents (Section C). This affidavit shall be dated and executed as part of this bid.
26. **EEO Compliance:** Bidders please see Section J for EEO Compliance Requirements and Affidavit.
27. **Prevailing Wage Rates:** This Project is subject to Prevailing Wage Requirements. In the event that the rate of wages paid for any trade or occupant in the locality where such work is being performed are under current collective agreements or understandings between bona fide organizations of labor and employer, then the wages to be paid shall be not less than such agreed wage rates, nor less than the minimum rates compiled by the Federal Labor Standard Act. A copy of these prevailing wage rates has been included in these

specifications as Exhibit L. Every Contractor and Subcontractor who is subject to Ohio Revised Code, Chapter 4115 shall, as soon as he/she begins performance under his/her contract with the Owner, supply the Prevailing Wage Coordinator for the Owner a schedule of the dates on which he/she is required to pay wages to employees. He/She shall also deliver to the Prevailing Wage Coordinator within three weeks after each pay date, a certified copy of his/her payroll which shall exhibit for each employee paid any wages, name, current address, social security number, number of hours worked each day of the pay period and the total for each week, hourly rate of pay, job classification, fringe payments, and deductions from wages. The certification of each payroll shall be executed by the Contractor, Subcontractor, or duly appointed agent thereof and shall recite that the payroll is correct and complete and that the wage rate shown is not less than those required by the contract.

In case the Owner orders the Contractor to perform extra or additional work which may make it necessary for the Contractor or any Subcontractor under this contract to employ a person not herein specified, the Owner will include in the contract change order for such extra or additional work, a minimum wage rate for such trade or occupation, and insofar as such extra or additional work is concerned, there shall be paid to each employee engaged in work of such trade or occupation, not less than the wage so included. Insofar as possible, local labor shall be employed on this work.

28. **Subletting of Contract:** The Contractor shall not sublet, sell, transfer or assign any portion of the contract without written consent of the Owner or his/her designated agent. When such consent is given, the Contractor will be permitted to sublet a portion thereof, but shall perform with his/her own organization, work amounting to no less than fifty percent of the total contract cost, except that any time designated in the contract before computing the amount of work required to be performed by the Contractor with his/her own organization, No subcontract, or transfer of contract, shall in any way release the Contractor of his/her liability under the contract and bonds.
29. **Required Insurance:** In accordance with the specifications, the Contractor, without restricting the obligations and liabilities assumed under the Contract Documents, shall at his/her own cost and expense purchase and maintaining in force until final acceptance of his/her work, the forms of insurance coverage listed below.

Certificates from the insurance carrier stating the limits of liability and expiration date shall be filed with the Owner before operations are begun. Such certificates shall not merely name the types of policy provided, **but shall specifically refer to this Contract** and shall name the Board of Warren County Commissioners as additionally insured.

All policies as hereinafter required shall be so written that the Owner will be notified of cancellation or restrictive amendment at least ten days prior to the effective date of such cancellation or amendment.

Item A - Workmen's Compensation and/or Employer's liability Insurance as required or specified by State Law.

Item B – Comprehensive General Liability Insurance: In an amount not less than \$1,000,000.00 per occurrence for Bodily Injury and \$500,000 for explosion underground

and collapse, commonly known as “XCU.” The following endorsement documents provided by Warren County:

- a. CG 20 10 10 01 – additional insured endorsement (or equivalent)
- b. CG 20 37 10 01 – additional insured endorsement (or equivalent)
- c. CG 25 03 03 97 – designated location aggregate (or equivalent)

General Liability needs to be written on Primary/Non-contributory basis for the benefit of the additional insured.

Item C – Umbrella: In an amount not less than \$1,000,000 occurrence and \$1,000,000 aggregate. Umbrella needs to attach to General Liability, Employers Liability, Auto Liability. Umbrella needs to be written on follow-form primary.

Item D - Bodily Injury Liability Insurance covering motor vehicles either owned by the Contractor or being used in connection with the prosecution of the work embraced under this contract.

Item E - Property Damage Liability Insurance covering motor vehicles either owned by the Contractor or being used in connection with the prosecution of the work embraced under this contract.

Item F - (If Applicable) - Such Protective (including Railroad Protective) and Contractual Bodily Injury Liability Insurance and such Protective (including Railroad Protective) and Contractual Property Damage Liability Insurance as shall be required by the railroad and other utility companies whose property, facilities or rights-of-way may be affected by the work to be done under this contract, in such amounts and in such form as each such utility company may require.

If any part of the work is sublet, insurance of the same types and limits as required by above items numbered A, B, C, D, E, and F, shall be provided by or on behalf of the Subcontractors to cover that part of the work they have contracted to perform including Property Damage Liability Special Hazards coverage if so required by this contract.

Protective and Contractual Bodily Injury Liability Insurance required by Item F (if applicable) shall be in an amount and form as each railroad or utility company may require.

Builders Risk Insurance: All Risk form, including subsidence and theft of materials from the job site. Such coverage shall be maintained until final acceptance of the Contract by the Owner and payable to the Owner for the benefit of the contractor. The limit for Builders Risk shall be the full value of construction.

30. **Maintenance of Rights-Of-Way:** All construction as proposed along all City, Township, County, State and Federal roads including storage and stockpiling of materials, is to be conducted within the limits of the public right-of-way. Bracing sheeting and shoring shall be used to keep all construction work within the construction limits unless work agreements are secured from the adjacent property Owners. It is the Contractor's responsibility to secure these work agreements, if deemed necessary. Copies of the work agreements shall be delivered to the Engineer and Owner prior to any work beginning on the affected property.

31. **Lights, Signs and Barricades:** Lights, signs and barricades shall be used to maintain traffic and safety for vehicular and pedestrian traffic during the course of this contract and shall be the sole responsibility of the Contractor.

32. **Foreign Corporation and Contractors:**

*Foreign Corporations*

Definition: "Foreign Corporation" means a corporation incorporated under the laws of another state. No contract shall be entered into with a foreign corporation until the Secretary of State has certified that such corporation is authorized to do business in Ohio: and until, if the bidder so awarded the Contract is a person or partnership, it has filed with the Secretary of State a Power of Attorney designating the Secretary of State as its agent for the purpose of accepting service of summons in any action brought under Ohio Revised Code, Section 153.05 or under Sections 4123.01 to 4123.94, inclusive.

33. **Subcontracts:** Contractor shall provide an explanation as part of its bid package of all subcontractors intended to be used in performance of the work described in Part II, Section D. In the event the Owner does not object, Contractor may have such work performed by a subcontractor. Contractor shall bind every subcontractor to, and every subcontractor must agree to be bound by the terms of, the Contract, as far as applicable to the subcontractor's work particularly pertaining to Prevailing Wages and EEO requirements. Nothing contained in the Agreement shall create any contractual relationship between any subcontractors and Owner, nor create any obligations on the part of the Owner to pay or see to the payment of any sums to any subcontractor.

34. **Real and/or Personal Property Tax Affidavit:** All bidders must complete the Real and/or Personal property tax affidavit (Section I) and submit with your bid. *This section should be fully completed whether or not you as a vendor/contractor own property in Warren County, Ohio.*

35. **Description of Project:**

See Section M

36. **Scope of Work:** Provide all work as required by Contract and described in the Technical Specifications herein (Section M) as necessary to provide for project completion.

37. **Required Forms:** Each Bidder shall complete and submit the following forms with his/her bid:

Proposal Price (Bid) Sheet  
Exception Sheet  
Bidder Identification  
Non-Collusion Affidavit  
Bid Guaranty & Contract Bond  
Experience Statement  
Affidavit of Non-Delinquency of Taxes



Certificate of Compliance Non-Discrimination and Equal Employment Opportunity  
Affidavit  
Findings for Recovery Affidavit

38. The successful Contractor may be required, at the request of the Owner, to submit a list of sub-contractors and suppliers for said project.
39. **Additional Obligations Upon Contact Award:** Upon award of the bid but prior to execution of the Contract and Notice to Proceed, the Contractor shall submit all of the following documents, completed as required:
  - 1) Contract
  - 2) Required Bonds
  - 3) Payment Draw Schedule (Required for Projects of \$500,000 or more)
  - 4) Certificates of Insurance
40. *Entire bid packet must be completed (except contract – Section F) and returned with bid proposal, as the entire bid packet becomes part of the contract documents.*
41. **STATEMENT: Do not submit confidential documents or documents of any type that contain trade secrets. All materials submitted become public records once opened and may be copied upon request to anybody including competitive bidders.**



POLICY NUMBER:

COMMERCIAL GENERAL LIABILITY  
CG 20 10 10 01

**THIS ENDORSEMENT CHANGES THE POLICY. PLEASE READ IT CAREFULLY.**

**ADDITIONAL INSURED – OWNERS, LESSEES OR  
CONTRACTORS – SCHEDULED PERSON OR  
ORGANIZATION**

This endorsement modifies insurance provided under the following:

COMMERCIAL GENERAL LIABILITY COVERAGE PART

**SCHEDULE**

**Name of Person or Organization:**

Board of Warren County Commissioners  
406 Justice Drive, Lebanon, OH 45036

(If no entry appears above, information required to complete this endorsement will be shown in the Declarations as applicable to this endorsement.)

**A. Section II – Who Is An Insured** is amended to include as an insured the person or organization shown in the Schedule, but only with respect to liability arising out of your ongoing operations performed for that insured.

**B.** With respect to the insurance afforded to these additional insureds, the following exclusion is added:

**2. Exclusions**

This insurance does not apply to "bodily injury" or "property damage" occurring after:

- (1) All work, including materials, parts or equipment furnished in connection with such work, on the project (other than service, maintenance or repairs) to be performed by or on behalf of the additional insured(s) at the site of the covered operations has been completed; or
- (2) That portion of "your work" out of which the injury or damage arises has been put to its intended use by any person or organization other than another contractor or subcontractor engaged in performing operations for a principal as a part of the same project.

POLICY NUMBER:

COMMERCIAL GENERAL LIABILITY  
CG 20 37 10 01

**THIS ENDORSEMENT CHANGES THE POLICY. PLEASE READ IT CAREFULLY.**

**ADDITIONAL INSURED – OWNERS, LESSEES OR  
CONTRACTORS – COMPLETED OPERATIONS**

This endorsement modifies insurance provided under the following:

COMMERCIAL GENERAL LIABILITY COVERAGE PART

**SCHEDULE**

<b>Name of Person or Organization:</b> Board of Warren County Commissioners 406 Justice Drive Lebanon, OH 45036
<b>Location And Description of Completed Operations:</b>
<b>Additional Premium:</b>

(If no entry appears above, information required to complete this endorsement will be shown in the Declarations as applicable to this endorsement.)

**Section II – Who Is An Insured** is amended to include as an insured the person or organization shown in the Schedule, but only with respect to liability arising out of "your work" at the location designated and described in the schedule of this endorsement performed for that insured and included in the "products-completed operations hazard".

POLICY NUMBER:

COMMERCIAL GENERAL LIABILITY  
CG 25 03 03 97

**THIS ENDORSEMENT CHANGES THE POLICY. PLEASE READ IT CAREFULLY.**

## **DESIGNATED CONSTRUCTION PROJECT(S) GENERAL AGGREGATE LIMIT**

This endorsement modifies insurance provided under the following:

COMMERCIAL GENERAL LIABILITY COVERAGE PART

### **SCHEDULE**

Designated Construction Projects:

(If no entry appears above, information required to complete this endorsement will be shown in the Declarations as applicable to this endorsement.)

- A.** For all sums which the insured becomes legally obligated to pay as damages caused by "occurrences" under **COVERAGE A (SECTION I)**, and for all medical expenses caused by accidents under **COVERAGE C (SECTION I)**, which can be attributed only to ongoing operations at a single designated construction project shown in the Schedule above:
1. A separate Designated Construction Project General Aggregate Limit applies to each designated construction project, and that limit is equal to the amount of the General Aggregate Limit shown in the Declarations.
  2. The Designated Construction Project General Aggregate Limit is the most we will pay for the sum of all damages under **COVERAGE A**, except damages because of "bodily injury" or "property damage" included in the "products-completed operations hazard", and for medical expenses under **COVERAGE C** regardless of the number of:
    - a. Insureds;
    - b. Claims made or "suits" brought; or
    - c. Persons or organizations making claims or bringing "suits".
  3. Any payments made under **COVERAGE A** for damages or under **COVERAGE C** for medical expenses shall reduce the Designated Construction Project General Aggregate Limit for that designated construction project. Such payments shall not reduce the General Aggregate Limit shown in the Declarations nor shall they reduce any other Designated Construction Project General Aggregate Limit for any other designated construction project shown in the Schedule above.
- 4.** The limits shown in the Declarations for Each Occurrence, Fire Damage and Medical Expense continue to apply. However, instead of being subject to the General Aggregate Limit shown in the Declarations, such limits will be subject to the applicable Designated Construction Project General Aggregate Limit.
- B.** For all sums which the insured becomes legally obligated to pay as damages caused by "occurrences" under **COVERAGE A (SECTION I)**, and for all medical expenses caused by accidents under **COVERAGE C (SECTION I)**, which cannot be attributed only to ongoing operations at a single designated construction project shown in the Schedule above:
1. Any payments made under **COVERAGE A** for damages or under **COVERAGE C** for medical expenses shall reduce the amount available under the General Aggregate Limit or the Products-Completed Operations Aggregate Limit, whichever is applicable; and
  2. Such payments shall not reduce any Designated Construction Project General Aggregate Limit.
- C.** When coverage for liability arising out of the "products-completed operations hazard" is provided, any payments for damages because of "bodily injury" or "property damage" included in the "products-completed operations hazard" will reduce the Products-Completed Operations Aggregate Limit, and not reduce the General Aggregate Limit nor the Designated Construction Project General Aggregate Limit.

- D. If the applicable designated construction project has been abandoned, delayed, or abandoned and then restarted, or if the authorized contracting parties deviate from plans, blueprints, designs, specifications or timetables, the project will still be deemed to be the same construction project.
- E. The provisions of Limits Of Insurance (SECTION III) not otherwise modified by this endorsement shall continue to apply as stipulated.



***SECTION C***

***NONCOLLUSION AFFIDAVIT***

**NONCOLLUSION AFFIDAVIT**

STATE OF \_\_\_\_\_  
COUNTY OF \_\_\_\_\_

I, \_\_\_\_\_, holding the title and position of \_\_\_\_\_ at the firm \_\_\_\_\_, affirm that I am authorized to speak on behalf of the company, board directors and owners in setting the price on the contract, bid or proposal. I understand that any misstatements in the following information will be treated as fraudulent concealment of true facts on the submission of the contract, bid or proposal.

I hereby swear and depose that the following statements are true and factual to the best of my knowledge:

The contract, bid or proposal is genuine and not made on the behalf of any other person, company or client, **INCLUDING ANY MEMBER OF THE WARREN COUNTY BOARD OF COMMISSIONERS.**

The price of the contract, bid or proposal was determined independent of outside consultation and was not influenced by other companies, clients or contractors, **INCLUDING ANY MEMBER OF THE WARREN COUNTY BOARD OF COMMISSIONERS.**

No companies, clients or contractors, **INCLUDING ANY MEMBER OF THE WARREN COUNTY BOARD OF COMMISSIONERS** have been solicited to propose a fake contract, bid or proposal for comparative purposes.

No companies, clients or contractors, **INCLUDING ANY MEMBER OF THE WARREN COUNTY BOARD OF COMMISSIONERS** have been solicited to refrain from bidding or to submit any form of noncompetitive bidding.

Relative to sealed bids, the price of the bid or proposal has not been disclosed to any client, company or contractor, **INCLUDING ANY MEMBER OF THE WARREN COUNTY BOARD OF COMMISSIONERS**, and will not be disclosed until the formal bid/proposal opening date.

\_\_\_\_\_  
AFFIANT

Subscribed and sworn to before me this \_\_\_\_\_ day of \_\_\_\_\_ 20 \_\_\_\_\_

\_\_\_\_\_  
(Notary Public),

\_\_\_\_\_ County.

My commission expires \_\_\_\_\_ 20 \_\_\_\_\_

***SECTION D***

***BID GUARANTY AND CONTRACT BOND***

**BID GUARANTY AND CONTRACT BOND**

**KNOW ALL MEN BY THESE PRESENTS, that we, the undersigned,**

---

---

(Insert full name or legal title of Contractor and Address)

as \_\_\_\_\_ Principal \_\_\_\_\_ and

(Insert full name or legal title of Surety)

as Surety, are hereby held and firmly bound unto the Warren County Board of Commissioners hereinafter called the Obligee, in the penal sum of the dollar amount of the bid submitted by the Principal to the Obligee on \_\_\_\_\_ to undertake the project known as:

**EDWARDSVILLE ROAD BRIDGE #196-1.01 REHABILITATION PROJECT**

The penal sum referred to herein shall be the dollar amount of the Principal's bid to the Obligee, incorporating any additive or deductive alternate proposals made by the Principal on the date referred to above to the Obligee, which are accepted by the Obligee, In no case shall the penal sum exceed the amount of \_\_\_\_\_ DOLLARS, \$ \_\_\_\_\_.

If this item is left blank, the penal sum will be the full amount of the Principal's bid, including alternates. Alternatively, if completed, the amount stated must not be less than the full amount of the bid, including alternates in dollars and cents. A percentage is not acceptable.

For the payment of the penal sum well and truly to be made we hereby jointly and severally bind ourselves, our heirs, executors, administrators, successors, and assigns.

**THE CONDITION OF THE ABOVE OBLIGATION IS SUCH,** that whereas the above named Principal has submitted a bid on the above referred to project;

**NOW, THEREFORE,** if the Obligee accepts the bid of the Principal and the Principal fails to enter into a proper contract in accordance with the bid, plans, details, specifications, and bills of material; and in the event the Principal pays to the Obligee the difference not to exceed ten percent of the penalty hereof between the amount specified in the bid and such larger amount for which the Obligee may in good faith contract with the next lowest bidder to perform the work covered by the bid; or in the event the Obligee does not award the contract to the next lowest bidder and resubmits the project for bidding, the Principal will pay the Obligee the difference not to exceed ten percent of the penalty hereof between the amount specified in the bid, or the costs, in connection with the resubmission, of printing new contract documents, required advertising, and printing and mailing notices to prospective bidders, whichever is less, then this obligation shall be null and void, otherwise to remain in full force and effect. If the Obligee accepts the bid of the Principal and within TEN days after the awarding of the contract, enters into a proper contract in accordance with the bid, plans, details, specifications, and bills of material, which said contract is made a part of this bond the same as though set forth herein; and

**IF THE SAID PRINCIPAL SHALL** well and faithfully perform each and every condition of such contract; and indemnify the Obligee against all damage suffered by failure to perform such contract according to the provisions thereof and in accordance with the plans, details, specifications, and bills

of material therefore; and shall pay all lawful claims of subcontractors, materialmen, and laborers, for labor performed and materials furnished in the carrying forward, performing, or completing of said contract: we agreeing and assenting that this undertaking shall be for benefit of any materialman or laborer having a just claim, as well as for the Obligee herein; **THEN THIS OBLIGATION SHALL** be void; otherwise the same shall remain in full force and effect; it being expressly understood and agreed that the liability of the Surety for any and all claims hereunder shall in no event exceed the penal amount of this obligation as herein stated.

**THE SAID** surety hereby stipulates and agrees that no modifications, omissions, or additions, in or to the terms of said contract or in or to the plans and specifications therefor shall in any wise affect the obligations of said surety on its bond, and it does hereby waive notice of any such modifications, omissions or additions to the terms of the contract or to the work or to the specifications.

SIGNED AND SEALED this \_\_\_\_ day of \_\_\_\_\_ 2021.

\_\_\_\_\_  
PRINCIPAL

\_\_\_\_\_  
SURETY

By: \_\_\_\_\_

By: \_\_\_\_\_

Attorney-in-fact

Title: \_\_\_\_\_

Surety Agent's Name and Address:

\_\_\_\_\_  
\_\_\_\_\_  
\_\_\_\_\_

***SECTION E***

***PERFORMANCE BOND***



**PERFORMANCE BOND**

**KNOW ALL MEN BY THESE PRESENTS:** that

\_\_\_\_\_  
(Name of Contractor)

\_\_\_\_\_  
(Address of Contractor)

a \_\_\_\_\_, hereinafter called  
(Corporation, Partnership or Individual)

Principal,

and

\_\_\_\_\_  
(Name of Surety)

\_\_\_\_\_  
(Address of Surety)

hereinafter called Surety, are held and firmly bound unto

WARREN COUNTY, OHIO BOARD OF COMMISSIONERS  
406 Justice Drive  
Lebanon, OH 45036

hereinafter called OWNER, in the penal sum of \_\_\_\_\_ Dollars, \$(\_\_\_\_\_) in lawful money of the United States, for the payment of which sum well and truly to be made, we bind ourselves, successors, and assigns, jointly and severally, firmly by these presents.

**THE CONDITION OF THIS OBLIGATION** is such that whereas, the Principal entered into a certain contract with the OWNER, dated the \_\_\_\_\_ day of \_\_\_\_\_, 2021, a copy of which is hereto attached and made a part hereof for the construction of:

\_\_\_\_\_  
\_\_\_\_\_  
\_\_\_\_\_  
\_\_\_\_\_

**NOW, THEREFORE**, if the Principal shall well, truly and faithfully perform its duties, all the undertakings, covenants, terms, conditions, and agreements of said contract during the original term thereof, and any extensions thereof which may be granted by the OWNER, with or without notice to the Surety and during the guaranty period(s), and if he/she shall satisfy all claims and demands incurred under such contract, and shall fully indemnify and save harmless the OWNER from all costs and damages which it may suffer by reason of failure to do so, and shall reimburse and repay the OWNER all outlay and expense which the OWNER may incur in making good any default, then this obligation shall be void; otherwise to remain in full force and effect.

**PROVIDED, FURTHER**, that the said surety, for value received, hereby stipulates and agrees that no change, extension of time, alteration or addition of the terms of the contract or the WORK to be performed thereunder or the SPECIFICATIONS accompanying the same shall in any way affect its obligation on this BOND, and it does hereby waive notice of any such change, extension of time, alteration or addition to the terms of the contract or to the WORK or to the SPECIFICATIONS.

**PROVIDED, FURTHER**, that no final settlement between the OWNER and the CONTRACTOR shall abridge the right of any beneficiary hereunder, whose claim may be unsatisfied.

**IN WITNESS WHEREOF**, this instrument is executed in counterparts, each one of which shall be deemed an original, this the \_\_\_\_\_ day of \_\_\_\_\_ 2021.

ATTEST: \_\_\_\_\_  
(Principal)

\_\_\_\_\_  
(SEAL) By \_\_\_\_\_  
\_\_\_\_\_  
\_\_\_\_\_

ATTEST: \_\_\_\_\_  
(SEAL) (Surety)  
\_\_\_\_\_  
\_\_\_\_\_

**IMPORTANT:** Pursuant to Ohio Revised Code §122.87(A) a surety company is defined as, “. . . a company that is authorized by the department of insurance to issue bonds as a surety”.

***SECTION F***

***CONTRACT***

## **CONTRACT**

**THIS AGREEMENT**, made this \_\_\_\_\_ day of \_\_\_\_\_, 2021, with the Warren County Board of Commissioners, 406 Justice Drive, Lebanon, Ohio hereinafter called "Owner" and ENTER CONTRACTOR NAME AND ADDRESS HERE, doing businesses as (an individual, partner, a corporation) hereinafter called "Contractor."

**WITNESSETH:** That for and in consideration of the payments and agreements hereinafter mentioned, to be made and performed by the Owner, the Contractor hereby agrees with the Owner to commence and complete the construction described as follows:

### **EDWARDSVILLE ROAD BRIDGE #196-1.01 REHABILITATION PROJECT**

hereinafter called the project, for the sum of \$ENTER AMOUNT AND WRITE IT OUT HERE, and all work in connection therewith, under the terms as stated in the Conditions of the Contract; and as his/her (its or their) own proper cost and expense furnish all the materials, supplies, machinery, equipment, tools, superintendence, labor insurance, and other accessories and services necessary to complete the said project in accordance with the conditions and prices stated in the Proposal, Conditions of the Contract, the Specifications and Contract Documents. "Contract Documents" means and includes the following:

- Proposal Price (Bid) Sheet
- Exception Sheet
- Bidder Identification
- A) Invitation to Bidders
- B) General Instruction to Bidders
- C) Noncollusion Affidavit
- D) Bid Guaranty & Contract Bond
- E) Performance Bond
- F) Contract
- G) Bonding & Insurance Requirements
- H) Experience Statement
- I) Affidavit of Non-Delinquency of Real and/or Personal Property Tax
- J) Equal Employment Opportunity Requirements, Bid Conditions and Non-discrimination and Equal Employment Opportunity Affidavit
- K) Findings for Recovery Affidavit Wage Rate Determination
- L) Wage Rate Determination
- M) Special Provision/Technical Specifications

The CONTRACTOR hereby agrees to commence work under this contract on or before a date to be specified in a Written "Notice to Proceed" of the OWNER, and to fully complete the project in 10 weeks after the written notice-to-proceed has been issued and a preconstruction meeting has been held. The Contractor further agrees to pay, as liquidated damages, the sum of \$400.00 for each consecutive calendar day thereafter.

This Agreement may be terminated by either party upon written notice in the event of substantial failure by the other party to perform in accordance with the terms of this Agreement. The nonperforming party shall have fifteen calendar days from the date of the termination notice to cure or to submit a plan for cure acceptable to the other party.

OWNER may terminate or suspend performance of this Agreement for OWNER'S convenience upon a written notice to CONTRACTOR. CONTRACTOR shall terminate or suspend performance of the services/work on a schedule acceptable to OWNER.

The CONTRACTOR will indemnify and save the OWNER, their officers and employees, harmless from loss, expenses, costs, reasonable attorneys fees, litigation expenses, suits at law or in equity, causes of action, actions, damages, and obligations arising from (a) negligent, reckless or willful and wanton acts, errors or omissions by CONTRACTOR, its agents, employees, licensees, consultants or subconsultants; (b) the failure of the CONTRACTOR, its agents, employees, licensees, consultants or subconsultants to observe the applicable standard of care providing services pursuant to this agreement; (c) the intentional misconduct of the CONTRACTOR, its agents, employees, licensees, consultants or subconsultants that result in injury to persons or damage to property for which the OWNER may be held legally liable.

The CONTRACTOR does hereby agree to indemnify and hold the OWNER harmless for any and all sums for which the OWNER may be required to pay or for which the OWNER may be held responsible for failure of the CONTRACTOR or any subcontractor to pay the prevailing wage upon this project.

The OWNER agrees to pay the CONTRACTOR in the manner and at such times as set forth in the General Provisions such amounts as required by the Contract Documents.

This CONTRACT shall be construed under the laws of the State of Ohio, and the parties hereby stipulate to the venue for any and all claims, disputes, interpretations, litigation of any kind arising out of this Contract being exclusively in the Warren County, Ohio Court of Common Pleas (unless both parties mutually agree in writing to alternate dispute resolution), as well as waiving any right to bring or remove such matters in or to any other state or federal court.

This Agreement shall be binding upon all parties hereto and their respective heirs, executors, administrators, successors, and assigns.

Contractor shall bind every subcontractor to, and every subcontractor must agree to be bound by the terms of, this Agreement, as far as applicable to the subcontractor's work particularly pertaining to Prevailing Wages and EEO requirements. Nothing contained in this Agreement shall create any contractual relationship between any subcontractor and Owner, nor create any obligations on the part of the Owner to pay or see to the payment of any sums to any subcontractor.

**IN WITNESS WHEREOF**, the parties hereto have executed, or caused to be executed by their duly authorized officials, this Agreement in two counterparts, each of which shall be deemed an original on the date first above written.

**WARREN COUNTY BOARD OF COMMISSIONERS**  
(Owner)

ATTEST:

\_\_\_\_\_  
Name

\_\_\_\_\_  
David G. Young, President

\_\_\_\_\_  
Tom Grossmann

(Seal)

\_\_\_\_\_  
Shannon Jones

ATTEST:

(ENTER CONTRACTOR NAME HERE)

\_\_\_\_\_

Approved as to Form:

By:

\_\_\_\_\_  
Name and Title

\_\_\_\_\_

\_\_\_\_\_  
Assistant Prosecutor

***SECTION G***

***BONDING AND INSURANCE REQUIREMENTS***



## **BONDING AND INSURANCE REQUIREMENTS**

A state or local unit of government receiving a grant from the federal government which requires contracting for construction of facility improvement shall follow its own requirements relating to bid guarantees, performance bonds, and payment bonds, except for contracts or subcontracts exceeding \$100,000. For contracts or subcontracts exceeding \$100,000, the Federal agency may accept the bonding policy and requirements of the grantee provided the Federal agency has made a determination that the Government's interest is adequately protected. If such a determination has not been made, the minimum requirements shall be as follows:

- a. **A bid guaranty from each bidder.** The "bid guaranty" shall consist of a firm commitment such as a bid bond in the amount of one hundred (100) percent of the bid price, or ten (10) percent of the bid price if certified check or other negotiable instrument accompanying a bid, as assurance the bidder will, upon acceptance of his/her bid, execute such contractual documents as may be required within the time specified.
  
- b. **A performance bond on the part of the Contractor for 100 percent of the contract price.** A "performance bond" is one executed in connection with a contract to secure fulfillment of all the contractor's obligations under such contract.

***SECTION H***

***EXPERIENCE STATEMENT***



***SECTION I***

***AFFIDAVIT OF NON-DELINQUENCY OF REAL  
AND/OR PERSONAL PROPERTY TAX***



***SECTION J***

***EQUAL EMPLOYMENT OPPORTUNITY REQUIREMENTS,  
BID CONDITIONS AND  
NON-DISCRIMINATION AND EQUAL  
EMPLOYMENT OPPORTUNITY AFFIDAVIT***

**EQUAL EMPLOYMENT OPPORTUNITY REQUIREMENTS  
AND BID CONDITIONS FOR  
WARREN COUNTY CONSTRUCTION PROJECTS**

**CERTIFICATE OF COMPLIANCE FOR EEO PURPOSES:** (This section applies only to projects that are funded with Federal and State monies)

All bidders on the project **shall** submit together with their bid, a copy of a valid Certificate of Compliance for Equal Employment Opportunity purposes contained herein.

A copy of the Certificate of Compliance is enclosed with this bid response?  Yes  No

**BIDDER'S EEO COVENANTS:**

Throughout its performance of any contract awarded to it on this project, the bidder agrees to the following covenants:

1. The contractor will not discriminate against any employee or applicant for employment because of race, color, religion, national origin, ancestry or sex. The contractor will take affirmative action to ensure that applicants are employed, and that employees are treated during employment without regard to their race, color, religion, national origin, ancestry or sex. Such action shall include, but is not limited to, the following: Employment, upgrading, demotion, or transfer; recruitment or recruitment advertising; layoff or termination; rates of pay or other forms of compensation; and selection for training, including apprenticeship.

The contractor agrees to post in conspicuous places, available to employees and applicants for employment, notices to be provided setting forth the provisions of this nondiscrimination clause.

2. The contractor will in all solicitations or advertisements for employees placed by or on behalf of the prime contractor, state that all qualified applicants will receive consideration for employment without regard to race, color, religion, national origin, ancestry or sex.
3. The contractor agrees to fully cooperate with the County, the State Equal Employment Opportunity Coordinator and with any other official or agency, or the State or Federal government which seeks to eliminate unlawful employment discrimination, and with all other State and Federal efforts to assure equal employment practices under its contract and the contractor shall comply promptly with all requests and directions from the County, the State Equal Opportunity Coordinator and any of the State of Ohio officials and agencies in this regard, both before and during construction.
4. Full cooperation as expressed in clause (3), above, shall include, but not be limited to, being a witness and permitting employees to be witnesses and complainants in any proceedings involving questions of unlawful employment practices, furnishing all information requested by the County and the State Equal Employment Opportunity Coordinator, and permitting access to its books, records, and accounts by the County and the State Equal Employment Opportunity Coordinator for purposes of investigation to ascertain compliance with applicable rules, regulations and orders.



5. In the event of the contractor's noncompliance with the nondiscrimination clauses of its contract or with any of the said rules, regulations, or orders, its contract may be canceled, terminated, or suspended in whole or in part and the contractor may be declared ineligible for further County construction contracts.

In the event that is contract is terminated for a material breach of EEO requirements, the contractor shall become liable for any and all damages which shall accrue to the County as a result of said breach.

6. The contractor will require the inclusion of language reflecting these same six covenants within every subcontract or purchase order it executes in the performance of its contract unless exempted by rules, regulations or orders of the State Equal Employment Opportunity Coordinator so that these provisions will be binding upon each subcontractor or vendor. The contractor will take such as the County may direct as a means of enforcing such provisions, including sanctions for noncompliance; provided, however, that in any litigation with a subcontractor, vendor or other party as a result of such direction by the County, the contractor may be requested to protect the interests of the County.

**The bidder hereby adopts the foregoing covenants?**

\_\_\_\_\_ Yes \_\_\_\_\_No

**PLEASE NOTE:** *The bidder's failure to adopt the Bidder's EEO Covenants and complete the foregoing certification will cause the bidder's proposal to be rejected as being non-responsive.*





***SECTION K***

***FINDINGS FOR RECOVERY AFFIDAVIT***

**FINDINGS FOR RECOVERY AFFIDAVIT**

**STATE OF** \_\_\_\_\_  
**COUNTY OF** \_\_\_\_\_, SS:

\_\_\_\_\_, upon being duly cautioned and sworn, hereby states the following based on personal knowledge:

1) That he/she is \_\_\_\_\_ (title), of \_\_\_\_\_ (name of bidder) and authorized to execute this affidavit; and,

2) That \_\_\_\_\_ (name of bidder) is not a person or entity against whom a finding for recovery has been issued by the Auditor of State, which finding for recovery is unresolved as defined in Ohio Revised Code [General Provisions] Section 9.24 (B); and,

3) That \_\_\_\_\_ (name of bidder) does not appear in the database of unresolved findings of recovery maintained by the Auditor of State pursuant to Ohio Revised Code [General Provisions] Section 9.24 (D).

\_\_\_\_\_  
Affiant

Sworn to and subscribed in my presence this \_\_\_\_\_ day of \_\_\_\_\_, 2021.

\_\_\_\_\_  
Notary Public

My Commission expires: \_\_\_\_\_

***SECTION L***

***WAGE RATE DETERMINATION***



**Mike DeWine**  
Governor

**Sheryl Maxfield**  
Director

# **PREVAILING WAGE GUIDE**

## **WARREN COUNTY**

### **OHIO DEPARTMENT OF COMMERCE**

Division of Industrial Compliance  
Bureau of Wage and Hour Administration  
6606 Tussing Road, PO Box 4009  
Reynoldsburg, Ohio 43068-9009  
Phone: 614-644-2239  
Fax: 614-728-8639  
[www.com.ohio.gov](http://www.com.ohio.gov)  
TTY/TDD: 1-800-750-0750

The Ohio Department of Commerce is an Equal Opportunity Employer and Service Provider

This packet of information is provided as a summary of the Prevailing Wage guidelines and responsibilities. The Ohio Revised Code, Chapter 4115 should be referred to for the exact wording of the law. Also included are references and forms which should be helpful in the compliance of the Prevailing Wage Law.

## PACKET INFORMATION INDEX

### A. The Ohio Department of Commerce-Division of Industrial Compliance, Wage and Hour Administration Investigators and their assigned counties

1. The Wage and Hour Investigators for the State of Ohio are listed with their contact information.
  - a. If you have questions or need assistance pertaining to Prevailing Wage, you can contact the Investigator in your area.

### B. Prevailing Wage Guide for Public Authorities

1. Notice of change of the Prevailing Wage Threshold Level.
  - a. A notification will be sent to you when there is a change of the Prevailing Wage threshold level
2. Outline of the Public Authority's responsibilities for Prevailing Wage.
3. Public Authority's Compliance Checklist form.
  - a. A form for tracking the progress of a Prevailing Wage project
4. Request form for Prevailing Wage Rates.
  - a. Prevailing Wage Rates can be obtained on the website [www.com.ohio.gov](http://www.com.ohio.gov)
    - (1) Prevailing Wage Determination Schedule of wages must be attached to and made part of the specifications for the project, and must be printed on the bidding blanks where the work is done by contract.
5. Bid Tabulation form
  - a. A form to be completed and returned to ODOC-DIC-Bureau of Wage and Hour Administration when the contract has been awarded.
6. Prevailing Wage Bonds form
  - a. Information needed to be kept on file by the Prevailing Wage Coordinator when bonds from the Public Authority are used for a project.

### C. Prevailing Wage Guidelines for the Public Authority's Coordinator

1. Guideline for the Prevailing Wage Coordinator
  - a. The Prevailing Wage complaint form and instructions can be obtained on the website [www.com.ohio.gov](http://www.com.ohio.gov)
2. Record of the Certified Payroll Reports Received form
  - a. Helpful form for recording the Certified Payroll Reports and the dates received from the contractors and subcontractors.
3. Employee Interview form
  - a. Helpful form for the use by the Prevailing Wage Coordinator when making on-site visits.
4. Employee vs. Independent Contractor
  - a. Helpful questions when determining if a person is an Employee or an Independent Contractor.

### D. Prevailing Wage Guide for Contractors

(Incorporate this section in the Specifications or supply copies for the pre-construction meeting.)

1. Outline of responsibilities for the Prevailing Wage Contractor
2. Notification form from the Contractor to the Employee
  - a. The contractor must submit to employees a completed and signed notification form.
  - b. Some Prevailing Wage Coordinators may require a copy of the completed Notification to the Employee form be submitted with the Certified Payroll Reports.
3. Certified Payroll Report form
  - a. The contractor can use any form/format he chooses as long as **ALL** the information has been provided.
4. Certified Payroll Report form instruction sheet
5. Corrected Certified Payroll Report Example
6. Affidavit of Compliance form
  - a. No Public Authority shall make final payment unless the **Final Affidavits** have been filed by the contractors and subcontractors.





**Mike DeWine**  
Governor

**Sheryl Maxfield**  
Director

# **INVESTIGATORS CONTACT INFORMATION**

## **OHIO DEPARTMENT OF COMMERCE**

Division of Industrial Compliance  
Bureau of Wage and Hour Administration  
6606 Tussing Road, PO Box 4009  
Reynoldsburg, Ohio 43068-9009  
Phone: 614-644-2239  
Fax: 614-728-8639  
[www.com.ohio.gov](http://www.com.ohio.gov)  
TTY/TDD: 1-800-750-0750

The Ohio Department of Commerce is an Equal Opportunity Employer and Service Provider

OHIO DEPARTMENT OF COMMERCE  
Division of Industrial Compliance  
Bureau of Wage and Hour Administration  
Chief, Stephen Clegg

6606 Tussing Road, PO Box 4009  
Reynoldsburg, Ohio 43068-9009  
614-644-2239  
fax: 614-728-8639  
<http://www.com.ohio.gov>

## INVESTIGATORS and THEIR HEADQUARTER COUNTY

<b>#48 Dave Horvath</b> PO Box 1512 Lima, Ohio 45802-1512 Voice: (419) 302-1200 Fax: (614) 728-8639 <a href="mailto:Dave.Horvath@com.state.oh.us">Dave.Horvath@com.state.oh.us</a>	Allen *
<b>#30 Mike McKee</b> P.O. Box 1342 Cambridge, Ohio 43725-2247 Voice/Fax: (740) 432-1987 <a href="mailto:Michael.McKee@com.state.oh.us">Michael.McKee@com.state.oh.us</a>	Guernsey*
<b>#56 Shawn Miles</b> P.O. Box 2547 North Canton, Ohio 44720 Voice/Fax: (614) 496-9076 <a href="mailto:Shawn.Miles@com.state.oh.us">Shawn.Miles@com.state.oh.us</a>	Stark *
<b>#37 David Rice</b> P.O. Box 41241 Dayton, Ohio 45441 Voice: (740) 502-0883 Fax: (614) 995-7768 <a href="mailto:Dave.Rice@com.state.oh.us">Dave.Rice@com.state.oh.us</a>	Montgomery *
<b>#35 Sean Seibert</b> P.O. Box 422 Painesville, Ohio 44077-3938 Voice: (614) 557-8662 Fax: (614) 232-9541 <a href="mailto:Sean.Seibert@com.state.oh.us">Sean.Seibert@com.state.oh.us</a>	Lake *
<b>#11 Kela D. Thompson</b> 6606 Tussing Rd, PO Box 4009 Reynoldsburg, Ohio 43068-9009 Voice: (614) 728-5007 Fax: (614) 232-9537 <a href="mailto:Kela.Thompson@com.state.oh.us">Kela.Thompson@com.state.oh.us</a>	Franklin *

\* **Headquarter County**

<b>Stephen Clegg, Chief</b> 6606 Tussing Road, PO Box 4009 Reynoldsburg, Ohio 43068-9009 Voice: (614) 728-8686 Fax: (614) 728-8639 <a href="mailto:Stephen.Clegg@com.state.oh.us">Stephen.Clegg@com.state.oh.us</a>	<b>#90 Jackie Clark, Supervisor</b> 6606 Tussing Rd, PO Box 4009 Reynoldsburg, Ohio 43068-9009 Voice: (614) 728-5019 Fax: (614) 222-2357 <a href="mailto:Jackie.Clark@com.state.oh.us">Jackie.Clark@com.state.oh.us</a>
--	--



**Mike DeWine**  
Governor

**Sheryl Maxfield**  
Director

# **PREVAILING WAGE GUIDE FOR PUBLIC AUTHORITIES**

**OHIO DEPARTMENT OF COMMERCE**

Division of Industrial Compliance  
Bureau of Wage and Hour Administration  
6606 Tussing Road, PO Box 4009  
Reynoldsburg, Ohio 43068-9009  
Phone: 614-644-2239  
Fax: 614-728-8639  
[www.com.ohio.gov](http://www.com.ohio.gov)  
TTY/TDD: 1-800-750-0750

The Ohio Department of Commerce is an Equal Opportunity Employer and Service Provider

# PREVAILING WAGE THRESHOLD LEVELS

## IMPORTANT NOTICE

Before advertising for bids, contracting, or undertaking construction with its own forces, to construct a public improvement, the Public Authority shall have the Ohio Department of Commerce-Division of Industrial Compliance, Bureau of Wage and Hour Administration determine the prevailing rates of wages for workers employed on the public improvement. The wage determination must be included in the project specifications and printed on the bidding blanks where work is done by contract.

<b>“New” construction threshold for <i>Building Construction</i>:</b>	<b>\$250,000</b>
---	------------------

<b>“Reconstruction, enlargement, alteration, repair, remodeling, renovation, or painting” threshold level for <i>Building Construction</i>:</b>	<b>\$75,000</b>
---	-----------------

---

<b>As of January 1, 2018:</b>	
<b>“New” construction that involves <i>roads, streets, alleys, sewers, ditches and other works connected to road or bridge construction</i> threshold level has been adjusted to:</b>	<b>\$91,150</b>

<b>“Reconstruction, enlargement, alteration, repair, remodeling, renovation, or painting” that involves <i>roads, streets, alleys, sewers, ditches and other works connected to road or bridge construction</i> threshold level has been adjusted to:</b>	<b>\$27,309</b>
---	-----------------

- A) Thresholds are to be adjusted biennially by the Director of the Ohio Department of Commerce.
- B) Biennial adjustments to threshold levels are made according to the Building Cost for Skilled Labor Index published by McGraw-Hill’s Engineering News-Record, but may not increase or decrease more than 3% for any year.

If there are questions concerning this notification, please contact:

Ohio Department of Commerce  
Division of Industrial Compliance  
Bureau of Wage and Hour Administration  
6606 Tussing Road, PO Box 4009  
Reynoldsburg, Ohio 43068-9009  
Phone: 614-644-2239  
Fax: 614-728-8639  
[www.com.ohio.gov](http://www.com.ohio.gov)

**Public Authority Responsibilities**  
**ORC Chapter 4115: Wages and Hours on Public Works**  
**(Prevailing Wage Coordinator)**

1. Before advertising for bids, contracting, or undertaking construction with its own forces, to construct a public improvement, the public authority shall have the Ohio Department of Commerce, Division of Industrial Compliance, Bureau of Wage and Hour Administration determine the prevailing rates of wages for workers employed on the public improvement. The wage determination must be included in the project specifications and printed on the bidding blanks where work is done by contract.
  - a) "New" construction has a threshold level of **\$250,000**.
  - b) "Reconstruction, enlargement, alteration, repair, remodeling, renovation, or painting" has a threshold level of **\$75,000**.
  - c) "New" construction that involves roads, streets, alleys, sewers, ditches and other works connected to road or bridge construction has a threshold level of **\$84,314**.
  - d) "Reconstruction, enlargement, alteration, repair, remodeling, renovation, or painting" that involves roads, streets, alleys, sewers, ditches and other works connected to road or bridge construction has a threshold of **\$25,261**.
    - i.) Thresholds are to be adjusted biennially by the Director of Ohio Department of Commerce, Division of Industrial Compliance, Bureau of Wage and Hour Administration.
    - ii.) Biennial adjustments to threshold levels are made according to the Price Deflator for Construction Index, United States Department of Commerce, Bureau of the Census, but may not increase or decrease more than 3% for any year.
2. Every contract for public work shall contain a provision that each worker employed by the contractor or subcontractor, or other person about or upon the public work, must be paid the prevailing rate of wages.
3. If contracts are not awarded or construction undertaken within ninety days (90) from the date of the determination of the prevailing wage there shall be a re-determination of the wage rates before the contract is awarded.
4. Within **seven (7) working days** after the receipt of notification of a change in the prevailing wage rates, the public authority shall notify all affected contractors and subcontractors. If it is determined that a contractor or subcontractor has violated sections 4115.03 to 4115.16 of the Ohio Revised Code because they were not notified as required, **the public authority is liable** for any back wages, fines, damages, court costs and attorney's fees for the period of time covering the receipt of wage changes, until they give the required notice.
5. No public authority shall award a contract for a public improvement to any contractor or subcontractor whose name appears on the list of debarred contractors. This list is filed with the Secretary of State by the Ohio Department of Commerce-Division of Industrial Compliance & Labor-Bureau of Wage and Hour Administration **The filing of the notice of conviction with the secretary of state constitutes notice to all public authorities.** These contractors are prohibited from working on public improvements for periods ranging from one to three years. The list of debarred contractors can be located on the website [www.com.ohio.gov/laws](http://www.com.ohio.gov/laws)
6. A public authority must designate and appoint **one of its own employees** to serve as the Prevailing Wage Coordinator during the life of the contract for constructing the public improvement. A Prevailing Wage Coordinator must be appointed no later than ten days before the first payment of wages by contractors to employees working on the public improvement.

**PUBLIC AUTHORITY'S COMPLIANCE CHECKLIST FOR PREVAILING WAGE**

Project:		Number:
Department:		Phone#:
PW Coordinator:		Phone#:
Architect/Engineer:		Phone#:
Contractor:		Phone#:
Contact Person:		Title:
General Contractor:		Prime Contractor:
		Construction Mgr:
<b>Date Completed</b>		<b>Compliance Item Description</b>
	1.	Request Prevailing Wage Determination Schedule from ODOC-DIC-Wage & Hour
	2.	Received Prevailing Wage Determination Schedule
	3.	Incorporate Determination Schedule in Specs./Bidding Blanks
	4.	Incorporate notice of Prevailing Wage requirements in Invitation for Bids/Notice to Bidders
	5.	Incorporate Prevailing Wage requirements in Contract
	6.	Submit complete Invitation for Bid to ODOC-DIC-Wage & Hour
	7.	Invitation for Bids
	8.	Bid Opening
	9.	Check Listing of Violators
	10.	Award of Contract. (see note)
	11.	Submit Bid Tabulation/Award to ODOC-DIC-WAGE & HOUR
	12.	Notice to Successful Bidder
	13.	Work Commenced...(see note)
	14.	Appoint Prevailing Wage Coordinator
	15.	Received list of Subcontractors' names, addresses, phone #'s & email's
	16.	Received Payroll Date Schedule
	17.	Received Registered Apprenticeship Agreement Certifications
	18.	Received Deduction Agreements
	19.	Received Payroll Reports with Certification...(see attachment)
	20.	Visited project site
	21.	Received Changes to Determination Schedule
	22.	Notice to Contractors of Determination Schedule change
	23.	Request Final Compliance Affidavit from contractors & subcontractors
	24.	Received Final Affidavits from all contractors & subcontractors
	25.	Certify Final Payment

**Note:** If contract is not awarded or construction undertaken within 90 days from the date of establishment of the Prevailing Wage Rates, a re-determination of the Prevailing Wage Rates is required.

## REQUEST FOR STATE OF OHIO PREVAILING WAGE RATES

Date		(Mark (X) One)		<input type="checkbox"/> ~ Residential	<input type="checkbox"/> ~ Construction
Project Information (only one project and one county per request form please)					
County of Project		Project Name		This form MUST be filled out <b>COMPETELY &amp; CORRECTLY</b> for us to process your request. Forms not completed correctly will be <b>RETURNED TO THE SENDER.</b>	
Site Address		City			
Owner/Public Authority					
Address		Telephone Number		<b>ODOC-DIC-WAGE &amp; HOUR DATE STAMP</b>	
City		Zip Code			
PW Coordinator		Telephone Number			
Issuing Authority of Bonds		Type of Financing			
Estimated Total Overall Project Cost					
<input type="checkbox"/> New Construction		<input type="checkbox"/> "Old" Construction *			
A copy of this form will be returned to you with your wage rates. You must send that copy to us with your bid tabulations once the contract has been awarded.					
Expected Date of Contract Award				PLEASE MAIL THIS REQUEST TO: Ohio Department of Commerce Division of Industrial Compliance Bureau of Wage & Hour Administration 6606 Tussing Road, PO Box 4009 Reynoldsburg, Ohio 43068-9009 PHONE: (614) 644-2239 FAX: (614) 728-8639	
Projected Completion Date					
Send Wage Rates to: (contractors are charged \$5.00 per county)				<b>ODOC-DIC-W&amp;H DATE STAMP (bid tab)</b>	
<input type="checkbox"/> Mail <input type="checkbox"/> Pick Up					
<input type="checkbox"/> Federal Express Account Number					
Name		Company or Public Authority			
Address					
City		Zip	Telephone Number		
* "Old" construction is reconstruction, enlargement, alteration, repair, remodeling, renovation, or painting.					





## INDUSTRIAL DEVELOPMENT BONDS

Bond Projects require the Public Authority to keep the following information on file			
1. Type of Bonds issued:		Amount:	
2. The total cost of the Project:			
3. The other type of financing involved in the project:			
4. Portion of the project being constructed with each type of financing:			
5. Are Prevailing Wage Rates being applied to all construction on the project: <input type="checkbox"/> Yes <input type="checkbox"/> No			
6. The name of the political subdivision who issued the bonds:			
7. When were the bonds issued:			
8. For what purpose were the bonds issued:			
9. Who handles the funds once the bonds are sold:			
10. Who is the lending institution that purchased the bonds:			
11. How are the funds to be paid out:			
12. When are the funds to be paid out:			
13. Who is the Bond Council:			
14. Who has been appointed as the Prevailing Coordinator:			
PWC Address:			
City:	OHIO	Zip:	Telephone #:
15. Obtain a copy of the inducement and other official documents for the issuance of the bonds.			



**Mike DeWine**  
Governor

**Sheryl Maxfield**  
Director

**PREVAILING WAGE GUIDELINES**

**FOR THE**

**PUBLIC AUTHORITY'S**

**PW COORDINATOR**

**OHIO DEPARTMENT OF COMMERCE**

Division of Industrial Compliance and Labor  
Bureau of Wage and Hour Administration  
6606 Tussing Road, PO Box 4009  
Reynoldsburg, Ohio 43068-9009  
Phone: 614-644-2239  
Fax: 614-728-8639  
[www.com.ohio.gov](http://www.com.ohio.gov)  
TTY/TDD: 1-800-750-0750

The Ohio Department of Commerce is an Equal Opportunity Employer and Service Provider

## Prevailing Wage Coordinator Guidelines

For more detailed information please refer to Chapter 4115 of the Ohio Revised Code

- A. Attend any pre-bid and/or pre-construction meetings.
  - 1. To explain the prevailing wage rate requirements.
  - 2. To explain the contractor's responsibilities.
- B. Set up and maintain files containing all contractors' and subcontractors' payroll reports, affidavits, and related documents. These files must be available for public inspection.
- C. Obtain from each contractor a list of their subcontractors' names, addresses, telephone numbers, and email addresses.
- D. Require each contractor and subcontractor to provide their project dates. This will be used to make a time schedule for receiving their certified payrolls.
- E. Obtain from each contractor, the name and address of their Bonding\Surety Company.
- F. Obtain from out-of-state corporations, the name and address of their Statutory Agent. (This agent must be located in the State of Ohio and registered with the Ohio Secretary of State.)
  - 1. Records made in connection with the public improvement must not be removed from the State of Ohio for the period of one year following the completion of the project.
- G. Supply contractors with any changes in the Prevailing Wage Rates.
- H. Within two weeks after the first pay, obtain a certified payroll report from each contractor. A certified report is one that is sworn to and signed by the contractor.
  - 1. If the job will exceed four months, all reports after the initial report can be filed once per month. (The initial report must be filed within two weeks.)
  - 2. If the job will last less than four months, all reports are to be filed weekly after the initial report.
- I. Establish and follow procedures to monitor compliance by contractors and subcontractors.
  - 1. Visit project to verify posting requirements and job classifications.
  - 2. Review certified payroll reports to ensure they are submitted in a timely fashion and complete with the following information for each employee:
    - a) Name, current address, and their social security number or last 4 when permitted
    - b) Classification (must be specific for laborers and operators, including level)
    - c) Hours worked on the project
    - d) Hourly rate
    - e) Fringe benefits, if applicable
    - f) Total hours worked for the week (all jobs)
    - g) Gross wages, all deductions, net pay
  - 3. Compare rates and fringes reported to rates in prevailing wage schedule.
- J. Upon completion of the project and prior to the final payment, require an affidavit of compliance from each contractor and subcontractor. **No public authority shall make final payment to any contractor or subcontractor unless the final affidavits have been filed by the respective contractor and subcontractor. (O.R.C. section 4115.07)**
- K. Report any non-compliance to Ohio Department of Commerce, Division of Industrial Compliance, Bureau of Wage & Hour Administration. The PW complaint form and instructions can be obtained on the website [www.com.ohio.gov](http://www.com.ohio.gov).

## RECORD OF THE CERTIFIED PAYROLL REPORTS RECEIVED

<b>Project:</b>		<b>Number:</b>
<b>Contractor:</b>		<b>Phone #:</b> <b>Email:</b>
<b>General Contractor:</b>	<b>Prime Contractor:</b>	<b>Subcontractor:</b>
<b>Date work commenced:</b>	<b>Completed:</b>	<b>Final Affidavit:</b>

Payroll	Payroll Date	Date Received		Payroll	Payroll Date	Date Received
1				33		
2				34		
3				35		
4				36		
5				37		
6				38		
7				39		
8				40		
9				41		
10				42		
11				43		
12				44		
13				45		
14				46		
15				47		
16				48		
17				49		
18				50		
19				51		
20				52		
21				53		
22				54		
23				55		
24				56		
25				57		
26				58		
27				59		
28				60		
29				61		
30				62		
31				63		
32				64		

## PREVAILING WAGE INVESTIGATION/EMPLOYEE INTERVIEW

Failure to complete this interview form may reduce our ability to recover back wages which may be owed to you.

Project:		Case #:	
Address:		City:	County:
Employee Name:		Last 4 digits of the SS#:	
Address:		City:	State: Zip:
Telephone #: (Home)	(Work)	Email:	Best time to be reached:
Another source by which we can contact you. (Someone not living at your address):			
Name:		Relationship:	Telephone #:
Contractor's Name:		Telephone #:	
Address:		City:	State: Zip:
Date hired:	Date started on this project :		Approximate hours - Straight time: Overtime:
Method of recording hours: <input type="checkbox"/> Time Card <input type="checkbox"/> Called into office		Recorded by: <input type="checkbox"/> Employee <input type="checkbox"/> Foreman	
Did you keep a personal record of your hours worked on this project? <input type="checkbox"/> Yes <input type="checkbox"/> No		Do you have check stubs? <input type="checkbox"/> Yes <input type="checkbox"/> No	
Did anyone else keep a personal record? <input type="checkbox"/> Yes <input type="checkbox"/> No		If yes, who:	
List your job classification(s):		<input type="checkbox"/> Journeyman <input type="checkbox"/> Helper <input type="checkbox"/> Apprentice - Level	
List your specific job duties:		List tools\equipment used:	
Hourly rate of pay for this project:		Your regular rate of pay:	
Fringe benefits paid by contractor: <input type="checkbox"/> None <input type="checkbox"/> Health Insurance <input type="checkbox"/> Life Insurance <input type="checkbox"/> Pension <input type="checkbox"/> Bonus ~ Vacation - Amount _____ <input type="checkbox"/> Holidays - Amount _____ <input type="checkbox"/> Apprenticeship training <input type="checkbox"/> Profit Sharing ~ Other (list): _____			
Did you work overtime? <input type="checkbox"/> Yes <input type="checkbox"/> No		Were hours over 40 per week paid at time and one half? <input type="checkbox"/> Yes <input type="checkbox"/> No	
When is your pay day?		Method of payment: <input type="checkbox"/> Check <input type="checkbox"/> Cash <input type="checkbox"/> Direct Deposit	
List names of co-workers on this project:			
Comments:		Please provide a detailed list of the dates, times and hours worked within each classification that may apply to the work performed on a separate sheet.	
<b>SIGNATURE AND NOTARY</b>			
Affiant is further informed that Section 2921.13 of the Ohio Revised Code provides a penalty of a misdemeanor of the first degree and that prosecution will be pursued of those persons who "knowingly swear or affirm the truth of a false statement when ...the statement is sworn or affirmed before a notary public..." Sworn to before me and subscribed by the said:  _____ in my presence this _____ day of _____, 20_____. _____ Notary Public		I hereby certify that this is a true statement to the best of my knowledge and belief.  Signature _____ Date _____  Return to: Ohio Department of Commerce Division of Industrial Compliance & Labor Bureau of Wage and Hour Administration 6606 Tussing Road P.O. Box 4009 Reynoldsburg, Ohio 43068-9009 (614) 644-2239 <a href="http://www.com.ohio.gov">www.com.ohio.gov</a>	
Signature of PW Coordinator:		Date:	

# EMPLOYEE VS. INDEPENDENT CONTRACTOR

EMPLOYEE ↔  YES Does the employer have the right to control and direct worker?  NO ↔ INDEPENDENT CONTRACTOR

EMPLOYEE ↔  YES Does the worker receive instructions about how and where the work is to be done instead of the employer merely specifying the desired result?  NO ↔ INDEPENDENT CONTRACTOR

EMPLOYEE ↔  YES Is payment based on time spent rather than a set price for the work to be performed?  NO ↔ INDEPENDENT CONTRACTOR

EMPLOYEE ↔  YES Does the worker devote virtually all his working time to the employer rather than offering services to the general public?  NO ↔ INDEPENDENT CONTRACTOR

EMPLOYEE ↔  YES Does the worker performing services make their services available to the general public and/or other businesses?  NO ↔ INDEPENDENT CONTRACTOR

EMPLOYEE ↔  YES Is there a continuing relationship between employer and worker?  NO ↔ INDEPENDENT CONTRACTOR

EMPLOYEE ↔  YES Can the worker be discharged at will?  NO ↔ INDEPENDENT CONTRACTOR

EMPLOYEE ↔  YES Did the employer train the worker for the job?  NO ↔ INDEPENDENT CONTRACTOR

EMPLOYEE ↔  YES Does the employer have employees performing the same work as the independent contractor?  NO ↔ INDEPENDENT CONTRACTOR

EMPLOYEE VS. INDEPENDENT CONTRACTOR-continued

EMPLOYEE ↔  YES  NO ↔ INDEPENDENT CONTRACTOR  
Does the worker perform services personally rather than delegating them to others?

EMPLOYEE ↔  YES  NO ↔ INDEPENDENT CONTRACTOR  
Does the employer set a specific time when the individual services are to be performed?

EMPLOYEE ↔  YES  NO ↔ INDEPENDENT CONTRACTOR  
Does the employer furnish the tools and materials used by the worker performing services?

EMPLOYEE ↔  YES  NO ↔ INDEPENDENT CONTRACTOR  
Is the employer assuming all the financial risk, rather than the worker making a significant financial investment in the job and having the opportunity to realize a profit or loss from the work?

EMPLOYEE ↔  NO  YES ↔ INDEPENDENT CONTRACTOR  
Does the individual performing the services publicly advertise these services in for example, the newspaper or yellow pages ?

EMPLOYEE ↔  NO  YES ↔ INDEPENDENT CONTRACTOR  
Does the individual performing the services have a business license?

EMPLOYEE ↔  NO  YES ↔ INDEPENDENT CONTRACTOR  
Does the individual performing the services operate d.b.a. or under a tradename?



**Mike DeWine**  
Governor

**Sheryl Maxfield**  
Director

# **PREVAILING WAGE GUIDE FOR CONTRACTORS**

## **OHIO DEPARTMENT OF COMMERCE**

Division of Industrial Compliance  
Bureau of Wage and Hour Administration  
6606 Tussing Road, PO Box 4009  
Reynoldsburg, Ohio 43068-9009  
Phone: 614-644-2239  
Fax: 614-728-8639  
[www.com.ohio.gov](http://www.com.ohio.gov)  
TTY/TDD: 1-800-750-0750

The Ohio Department of Commerce is an Equal Opportunity Employer and Service Provider



OHIO DEPARTMENT OF COMMERCE  
 Division of Industrial Compliance  
 Bureau of Wage and Hour Administration  
 Chief, Stephen Clegg

6606 Tussing Road, PO Box 4009  
 Reynoldsburg, Ohio 43068-9009  
 614-644-2239  
 fax: 614-728-8639  
<http://www.com.ohio.gov>

## INVESTIGATORS and THEIR HEADQUARTER COUNTY

<p><b>#48 Dave Horvath</b>          PO Box 1512          Lima, Ohio 45802-1512          Voice: (419) 302-1200          Fax: (614) 728-8639  <a href="mailto:Dave.Horvath@com.state.oh.us">Dave.Horvath@com.state.oh.us</a></p>	<p>Allon *</p>
<p><b>#30 Mike McKee</b>          P.O. Box 1342          Cambridge, Ohio 43725-2247          Voice/Fax: (740) 432-1987  <a href="mailto:Michael.McKee@com.state.oh.us">Michael.McKee@com.state.oh.us</a></p>	<p>Guornsey*</p>
<p><b>#56 Shawn Miles</b>          P.O. Box 2547          North Canton, Ohio 44720          Voice/Fax: (614) 496-9076  <a href="mailto:Shawn.Miles@com.state.oh.us">Shawn.Miles@com.state.oh.us</a></p>	<p>Stark *</p>
<p><b>#37 David Rice</b>          P.O. Box 41241          Dayton, Ohio 45441          Voice/Fax: (740) 502-0883  <a href="mailto:Dave.Rice@com.state.oh.us">Dave.Rice@com.state.oh.us</a></p>	<p>Montgomery *</p>
<p><b>#35 Sean Seibert</b>          P.O. Box 422          Painesville, Ohio 44077-3938          Voice: (614) 557-8662          Fax: (614) 232-9541  <a href="mailto:Sean.Seibert@com.state.oh.us">Sean.Seibert@com.state.oh.us</a></p>	<p>Lake *</p>
<p><b>#11 Kela D. Thompson</b>          6606 Tussing Rd, PO Box 4009          Reynoldsburg, Ohio 43068-9009          Voice: (614) 728-5007          Fax: (614) 232-9537  <a href="mailto:kela.thompson@com.state.oh.us">kela.thompson@com.state.oh.us</a></p>	<p>Franklin *</p>

\* **Headquarter County**

<p><b>Stephen Clegg, Chief</b>          6606 Tussing Road, PO Box 4009          Reynoldsburg, Ohio 43068-9009          Voice: (614) 728-8686          Fax: (614) 728-8639  <a href="mailto:Stephen.Clegg@com.state.oh.us">Stephen.Clegg@com.state.oh.us</a></p>	<p><b>#90 Jackie Clark, Supervisor</b>          6606 Tussing Rd, PO Box 4009          Reynoldsburg, Ohio 43068-9009          Voice: (614) 728-5019          Fax: (614) 222-2357  <a href="mailto:Jackie.Clark@com.state.oh.us">Jackie.Clark@com.state.oh.us</a></p>
---	---



## **PREVAILING WAGE CONTRACTOR RESPONSIBILITIES**

**This is a summary of prevailing wage contractors' responsibilities. For more detailed information please refer to Chapter 4115 of the Ohio Revised Code**

### **General Information**

Ohio's prevailing wage laws apply to all public improvements financed in whole or in part by public funds when the total overall project cost is fairly estimated to be more than \$250,000 for new construction or \$75,000 for reconstruction, enlargement, alteration, repair, remodeling, renovation, or painting.

Ohio's prevailing wage laws apply to all public improvements financed in whole or in part by public funds when the total overall project cost is fairly estimated to be more than \$91,150 for new construction that involves roads, streets, alleys, sewers, ditches and other works connected to road or bridge construction or \$27,309 for reconstruction, enlargement, alteration, repair, remodeling, renovation, or painting of a public improvement that involves roads, streets, alleys, sewers, ditches and other works connected to road or bridge construction.

- a) Thresholds are to be adjusted biennially by the Administrator of Ohio Department of Commerce, Division of Industrial Compliance and Labor, Bureau of Wage and Hour Administration
- b) Biennial adjustments to threshold levels are made according to the Price Deflator for Construction Index, United States Department of Commerce, Bureau of the Census\*, but may not increase or decrease more than 3% for any year

### **Penalties for violation**

Violators are to be assessed the wages owed, plus a penalty of 100% of the wages owed.

### **Intentional Violations**

If an intentional violation is determined to have occurred, the contractor is prohibited from contracting directly or indirectly with any public authority for the construction of a public improvement. Intentional violation means "a willful, knowing, or deliberate disregard for any provision" of the prevailing wage law and includes but is not limited to the following actions:

- Intentional failure to submit payroll reports as required, or knowingly submitting false or erroneous reports.
- Intentional misclassification of employees for the purpose of reducing wages.
- Intentional misclassification of employees as independent contractors or as apprentices.
- Intentional failure to pay the prevailing wage.
- Intentional failure to comply with the allowable ratio of apprentices to skilled workers as required by the regulations established by Ohio Department of Commerce, Division of Industrial Compliance and Labor, Bureau of Wage and Hour Administration.
- Intentionally employing an officer, of a contractor or subcontractor, that is known to be prohibited from contracting, directly or indirectly, with a public authority.



### Responsibilities

- A. Pay the prevailing rate of wages as shown in the wage rate schedules issued by the Ohio Department of Commerce, Division of Industrial Compliance and Labor, Bureau of Wage and Hour Administration, for the classification of work being performed.
  1. Wage rate schedules include all modifications, corrections, escalations, or reductions to wage rates issued for the project.
  2. Overtime must be paid at time and one-half the employee's base hourly rate. Fringe benefits are paid at straight time rate for all hours including overtime.
  3. Prevailing wages must be paid in full without any deduction for food, lodging, transportation, use of tools, etc.; unless, the employee has voluntarily consented to these deductions in writing. The public authority and the Director of Ohio Department of Commerce, Division of Industrial Compliance and Labor, Bureau of Wage and Hour Administration - must approve these deductions as fair and reasonable. Consent and approval must be obtained before starting the project.
  
- B. Use of Apprentices and Helpers cannot exceed the ratios permitted in the wage rate schedules.
  1. Apprentices must be registered with the U.S. Department of Labor Bureau of Apprenticeship and Training.
  2. Contractors must provide the Prevailing Wage Coordinator a copy of the Apprenticeship Agreement for each apprentice on the project.
  
- C. Keep full and accurate payroll records available for inspection by any authorized representative of the Ohio Department of Commerce, Division of Industrial Compliance, and Labor, Bureau of Wage and Hour Administration or the contracting public authority, including the Prevailing Wage Coordinator. Records should include but are not limited to:
  1. Time cards, time sheets, daily work records, etc.
  2. Payroll ledger\journals and canceled checks\check register.
  3. Fringe benefit records must include program, address, account number, & canceled checks.
  4. Records made in connection with the public improvement must not be removed from the State for one year following the completion of the project.
  5. Out-of-State Corporations must submit to the Ohio Secretary of State the full name and address of their Statutory Agent in Ohio.
  
- D. Prevailing Wage Rate Schedule must be posted on the job site where it is accessible to all employees.
  
- E. Prior to submitting the initial payroll report, supply the Prevailing Wage Coordinator with your project dates to schedule reporting of your payrolls.
  
- F. Supply the Prevailing Wage Coordinator a list of all subcontractors including the name, address, and telephone number for each.
  1. **Contractors are responsible for their subcontractors' compliance with requirements of Chapter 4115 of the Ohio Revised Code.**



**Department  
of Commerce**

Division of Industrial Compliance

- G. Before employees start work on the project, supply them with written notification of their job classification, prevailing wage rate, fringe benefit amounts, and the name of the Prevailing Wage Coordinator for the project. A copy of the completed signed notification should be submitted to Prevailing Wage Coordinator.
- H. Supply all subcontractors with the Prevailing Wage Rates and changes.
- I. Submit certified payrolls within two (2) weeks after the initial pay period. Payrolls must include the following information:
  - 1. Employees' names, addresses, and social security numbers.
    - a. Corporate officers/owners/partners and any salaried personnel who do physical work on the project are considered employees. All rate and reporting requirements are applicable to these individuals.
  - 2. Employees' work classification.
    - a. Be specific about the laborers and/or operators (Group)
    - b. For all apprentices, show level/year and percent of journeyman's rate
  - 3. Hours worked on the project for each employee.
    - a. The number of hours worked in each day and the total number of hours worked each week.
  - 4. Hourly rate for each employee.
    - a. The minimum rate paid must be the wage rate for the appropriate classification. The Department's Wage Rate Schedule sets this rate.
    - b. All overtime worked is to be paid at time and one-half for all hours worked more than forty (40) per week.
  - 5. Where fringes are paid into a bona fide plan instead of cash, list each benefit and amount per hour paid to program for each employee.
    - a. When the amount contributed to the fringe benefit plan and the total number of hours worked by the employee on all projects for the year are documented, the hourly amount is calculated by dividing the total contribution of the employer by the total number of hours worked by the employee.
    - b. When the amount contributed to the fringe benefit is documented but not the total hours worked, the hourly amount is calculated by **dividing the total yearly contribution by 2080**.
  - 6. Gross amount earned on all projects during the pay period.
  - 7. Total deductions from employee's wages.
  - 8. Net amount paid.
- J. The reports shall be certified by the contractor, subcontractor, or duly appointed agent stating that the payroll is correct and complete; and that the wage rates shown are not less than those required by the O.R.C. 4115.
- K. Provide a Final Affidavit to the Prevailing Wage Coordinator upon the completion of the project.

## PREVAILING WAGE NOTIFICATION to EMPLOYEE

4115.05...the contractor or subcontractor shall furnish each employee **NOT covered by a collective bargaining agreement** written notification of the job classification to which the employee is assigned, the prevailing wage determined to be applicable to that classification, separated into the hourly rate of pay and the fringe payments, and the identity of the prevailing wage coordinator appointed by the public authority. The contractor or subcontractor shall furnish the same notification to each affected employee every time the job classification of the employee is changed.

Project Name:		Job Number:
Contractor:		
Project Location:		
<b>Prevailing Wage Coordinator</b>	<b>Employee</b>	
Public Authority:	Name:	
Name of PWC:	Street:	
Street:	City:	
City:	State/Zip:	
State/Zip:	Phone:	
	Email:	
Phone:	Last 4 Digits of SS #:	

You will be performing work on this project that falls under these classifications. You will be paid the appropriate rate for the type of work you are performing.

Classification:	Prevailing Wage Rate Total Package:	Minus your fringe benefits *:	Your hourly base rate and overtime:
			/
			/
			/
			/
			/
			/

Hourly fringe benefits paid on your behalf by this company (Yearly amount the company pays divided by 2080):

Fringe	Amount	Fringe	Amount
Health Insurance		Vacation	
Life Insurance		Holiday	
Pension		Sick Pay	
Other (Specify)		Training	
Other (Specify)		<b>Total Hourly Fringes *</b>	

Contractor's Signature:	Date:
Employee's Signature:	Date:

## INSTRUCTIONS FOR PREPARING CERTIFIED PAYROLL REPORTS

### General

Contractors and subcontractors are required by law to submit certified payroll reports for work on projects covered by Ohio's Prevailing Wage Law. This form meets the reporting requirements established by Ohio Revised Code Chapter 4115. The use of this form is not mandatory; employers may submit their own forms provided that all of the required information is included. This form may be reproduced, or additional copies obtained from:

Ohio Department of Commerce  
Division of Industrial Compliance and Labor  
Bureau of Wage & Hour Administration  
6606 Tussing Rd, P. O. Box 4009  
Reynoldsburg, OH 43068-9009  
Phone: (614) 644-2239  
www.com.ohio.gov

### Certified Payroll Heading

**Employer name and address:** Company's full name and address... Indicate if the company is a subcontractor.

**Subcontractor:** Check and list the name of the General Contractor or Prime.

**Project:** Name and location of the project, including county.

**Contracting Public Authority:** Name and address of the contracting public authority... (Owner of the project).

**Week Ending:** Month, day, and year for the last day of the reporting period.

**Payroll #:** Indicate first, second, third, etc. payroll filed by the company for the project.

**Page Indicator:** number of pages included in the report.

**Project Number:** Determined by the public authority... if there is no number leave it blank.

### Payroll Information by Column

- Employee Name, Address and Social Security number:** This information must be provided for all employees that perform physical labor on the project. Corporate officers, partners, and salaried employees are considered employees and must be paid the prevailing rate. Individual sole proprietors do not have to pay themselves prevailing rate but must report their hours on the project.
- Work Class:** List classification of work actually performed by employee. If unsure of work classification, consult the Ohio department of Commerce, Wage and Hour Bureau. Employees working more than one classification should have separate line entries for each classification. Indicate what year/level for Apprentices. Be specific when using laborer and operator classifications; for example, Backhoe Operator or Asphalt Laborer.
- Hours Worked, Day & Date:** In the first row of column 3 enter days of pay period example; M T W T H F S S. The second row is for the date that corresponds with each day for the pay period. In the employee information section enter the number of hours worked on the prevailing wage project and which day the hours were worked. Separate rows are labeled for (ST) straight time hours and (OT) overtime hours. All hours worked after 40, must be paid at the appropriate overtime rate.
- Project Total Hours:** Total the hours entered for pay period.
- Base Rate:** Enter actual rate per hour paid to the employee. The overtime hourly rate is time and one-half the base rate listed in the prevailing wage schedule plus fringe benefits at straight time rate. The prevailing wage schedule lists the base rate plus fringe benefit amounts. These amounts added together equal the total prevailing wage rate. Employers must pay this total amount in one of three ways.
  - Total rate may be paid in entirety in the base rate to the employee; in which case, the cash designation will be checked for fringe benefits.
  - Total rate may be paid as listed in prevailing wage rate schedule with total fringe amounts paid approved plans.
  - Total rate may be paid with a combination of base rate and fringe payments to approved plans in amounts other than those listed in schedule.
- Project Gross:** Enter total gross wages earned on the project for straight time and overtime. Project hours X base rate should equal project gross.
- Fringes:** If fringe benefits are paid in the hourly base rate, indicate this by marking the **Cash** space. If fringe benefits are paid to approved plans as listed in the prevailing wage rate schedule, mark the space **Approved Plans**. If fringe benefits are paid partially in the base rate and partially to approved plans, mark the space **Cash & Approved plans**. List the hourly amount paid to approved plans for each fringe. If payments are not made on a per hour basis, **calculate the hourly fringe credit by dividing the yearly employer contribution by** the lesser of: hours actually worked in the year (these must be documented) or **2080**. Fringe benefits include: **Employer's share** of health insurance, life insurance, retirement plan, bonus/profit sharing, sick pay, holiday pay, personal leave, vacation, and education/training programs. If unsure of a possible fringe benefit, contact the Ohio Department of Commerce - Division of Industrial Compliance and Labor - Bureau of Wage & Hour Administration.
- Total Hours All Jobs:** Total all hours worked during the pay period including non-prevailing wage jobs.
- Total Gross All Jobs:** Gross amount earned in the pay period for all hours worked.
- Self explanatory.
- Self explanatory

# Certified Payroll Report

**Report for:**  Check if Subcontractor<sup>1)</sup> Contract No: \_\_\_\_\_ Payroll No: \_\_\_\_\_  
 Company: <sup>1)</sup> \_\_\_\_\_ If Sub, GC/Prime Contractor Name: \_\_\_\_\_ Project Name & Location: \_\_\_\_\_  
 Address: \_\_\_\_\_ Public Authority (Owner): \_\_\_\_\_ Week Ending: \_\_\_\_\_  
 City, State, Zip \_\_\_\_\_ Sheet<sup>2)</sup> of \_\_\_\_\_  
 Phone No: \_\_\_\_\_

1. Employee Name, Address, & SS# (Last 4 digits if permitted)	2. Work Class <sup>3)</sup>	3. Prevailing Wage Project Hours Worked - Day & Date	4. Total Hours	5. Base Rate	6. Project Gross	7. Fringes:					8. Total Hrs for all Jobs	Weekly Payroll Amount		
						Fringe Rate Your Company Pays Per Hour						9. Total Gross on All Jobs	10. Total Deductions	11. Net Pay on All Jobs
						H&W	Pens	Vac	Hol	Other				
	OT													
	ST													
	OT													
	ST													
	OT													
	ST													
	OT													
	ST													
	OT													
	ST													

1) By signing below, I certify that: (1) I pay, or supervise the payment of the employees shown above; (2) during the pay period reported on this form, all hours worked on this project have been paid at the appropriate prevailing wage rate for the class of work done; (3) the fringe benefits have been paid as indicated above; (4) no rebates or deductions have been or will be made, directly or indirectly from the total wages earned, other than permissible deductions as defined in ORC Chapter 4115; and (5) apprentices are registered with the U.S. Dept. of Labor, Bureau of Apprenticeship and Training. I understand that the willful falsification of any of the above statements may subject the Contractor or Subcontractor to civil or criminal prosecution.

Type or Print Name and Title \_\_\_\_\_ Signature \_\_\_\_\_ Date \_\_\_\_\_

**DO NOT REDO FORM AND CHANGE RATES IF AN ERROR HAS BEEN MADE! SUBMIT A CORRECTED REPORT**

\*\*\* CORRECTED \*\*\*

### Certified Payroll Report

Fill out all other areas of the form as usual

Total Hours being corrected for this indiv.

Difference in base rate & corrected base rate if applicable

**Report for:**  Check if Subcontractor<sup>1)</sup> Contract No: \_\_\_\_\_ Payroll No: \_\_\_\_\_  
 Company: <sup>1)</sup> If Sub, GC/Prime Contractor Name: \_\_\_\_\_  
 Address: \_\_\_\_\_ Project Name & Location: \_\_\_\_\_ Week Ending: \_\_\_\_\_  
 City, State, Zip \_\_\_\_\_ Public Authority (Owner): \_\_\_\_\_ Sheet <sup>2)</sup> \_\_\_\_\_ of \_\_\_\_\_  
 Phone No: \_\_\_\_\_

1. Employee Name, Address, & SS# (Last 4 digits if permitted)	2. Work Class <sup>3)</sup>	3. Prevailing Wage Project Hours Worked - Day & Date	4. Total Hours	5. Base Rate	6. Project Gross	7. Fringes <sup>4)</sup>					8. Total Hrs for all Jobs	9. Total Gross on All Jobs	10. Total Deductions	11. Net Pay on All Jobs	
						H&W	Pens	Vac	Hol	Other					Total
Name Address Last 4 SSN Class OT ST OT ST OT ST OT ST OT ST OT ST OT ST OT ST	Class														

Put the period that is being corrected, i.e.: Oct 26 to Nov 02, not individual weekly dates

Difference in fringes & corrected fringes if applicable.

The net paid will be the total of difference paid and the total hours being corrected. Provide check # in the margin.

1) By signing below, I certify that: (1) I pay, or supervise the payment of the employees shown above; (2) during the pay period reported on this form, all hours worked on this project have been paid at the appropriate prevailing wage rate for the class of work done; (3) the fringe benefits have been paid as indicated above; (4) no rebates or deductions have been or will be made, directly or indirectly from the total wages earned, other than permissible deductions as defined in ORC Chapter 4115; and (5) apprentices are registered with the U.S. Dept. of Labor, Bureau of Apprenticeship and Training. I understand that the willful falsification of any of the above statements may subject the Contractor or Subcontractor to civil or criminal prosecution.

Type or Print Name and Title \_\_\_\_\_ Signature \_\_\_\_\_ Sign \_\_\_\_\_ Date \_\_\_\_\_

11/14 jc <sup>2)</sup> Attach additional sheets as necessary. <sup>3)</sup> Type in continuous line, text will wrap.

Send cover letter stating what happened along with a signed letter from the employee acknowledging that they were underpaid, received payment, check or transaction number. Contractor provided cancelled endorsed bank check.

**IMPORTANT NOTICE** - This process may be different if the Public Authority is using LCPTracker or some other online system to collect Certified Payroll Report from the contractors.





**Affidavit of Compliance**

**Prevailing Wages**

I, \_\_\_\_\_  
(Name of person signing affidavit) (Title)

do hereby certify that the wages paid to all employees of

\_\_\_\_\_  
(Company Name)

for all hours worked on the

\_\_\_\_\_  
(Project name and location)

project, during the period from \_\_\_\_\_ to \_\_\_\_\_ are in  
(Project Dates)

compliance with prevailing wage requirements of Chapter 4115 of the Ohio Revised Code. I further certify that no rebates or deductions have been or will be made, directly or indirectly, from any wages paid in connection with this project, other than those provided by law.

\_\_\_\_\_  
(Signature of Officer or Agent)

Sworn to and subscribed in my presence this \_\_\_\_\_ day of \_\_\_\_\_, 20\_\_\_\_\_.

\_\_\_\_\_  
(Notary Public)

**The above affidavit must be executed and sworn to by the officer or agent of the contractor or subcontractor who supervises the payment of employees. This affidavit must be submitted to the owner (public authority) before the surety is released or final payment due under the terms of the contract is made.**

## Prevailing Wage Determination Cover Letter

County:  ▼  
Determination Date: 05/11/2020  
Expiration Date: 08/11/2020

THE FOLLOWING PAGES ARE PREVAILING RATES OF WAGES ON PUBLIC IMPROVEMENTS FAIRLY ESTIMATED TO BE MORE THAN THE AMOUNT IN O.R.C. SEC. 4115.03 (b) (1) or (2), AS APPLICABLE.

Section 4115.05 provides, in part: "Where contracts are not awarded or construction undertaken within ninety days from the date of the establishment of the prevailing wages, there shall be a redetermination of the prevailing rate of wages before the contract is awarded." The expiration date of this wage schedule is listed above for your convenience only. This wage determination is not intended as a blanket determination to be used for all projects during this period without prior approval of this Department.

Section 4115.04, Ohio Revised Code provides, in part: "Such schedule of wages shall be attached to and made a part of the specifications for the work, and shall be printed on the bidding blanks where the work is done by contract..."

The contract between the letting authority and the successful bidder shall contain a statement requiring that mechanics and laborers be paid a prevailing rate of wage as required in Section 4115.06, Ohio Revised Code.

The contractor or subcontractor is required to file with the contracting public authority upon completion of the project and prior to final payment therefore an affidavit stating that he has fully complied with Chapter 4115 of the Ohio Revised Code.

The wage rates contained in this schedule are the "Prevailing Wages" as defined by Section 4115.03, Ohio Revised Code (the basic hourly rates plus certain fringe benefits). These rates and fringes shall be a minimum to be paid under a contract regulated by Chapter 4115 of the Ohio Revised Code by contractors and subcontractors. The prevailing wage rates contained in this schedule include the effective dates and wage rates currently on file. In cases where future effective dates are not included in this schedule, modifications to the wage schedule will be furnished to the Prevailing Wage Coordinator appointed by the public authority as soon as prevailing wage rates increases are received by this office.

"There shall be posted in a prominent and accessible place on the site of work a legible statement of the Schedule of Wage Rates specified in the contract to the various classifications of laborers, workmen, and mechanics employed, said statement to remain posted during the life of such contract." Section 4115.07, Ohio Revised Code.

Apprentices will be permitted to work only under a bona fide apprenticeship program if such program exists and if such program is registered with the Ohio Apprenticeship Council.

Section 4115.071 provides that no later than ten days before the first payment of wages is due to any employee of any contractor or subcontractor working on a contract regulated by Chapter 4115, Ohio Revised Code, the contracting public authority shall appoint one of his own employees to act as the prevailing wage coordinator for said contract. The duties of the prevailing wage coordinator are outlined in Section 4115.071 of the Ohio Revised Code.

Section 4115.05 provides for an escalator in the prevailing wage rate. Each time a new rate is established, that rate is required to be paid on all ongoing public improvement projects.

A further requirement of Section 4115.05 of the Ohio Revised Code is: "On the occasion of the first pay date under a contract, the contractor shall furnish each employee not covered by a collective bargaining agreement or understanding between employers and bona fide organizations of Labor with individual written notification of the job classification to which the employee is assigned, the prevailing wage determined to be applicable to that classification, separated into the hourly rate of pay and the fringe payments, and the identity of the prevailing wage Coordinator appointed by the public authority. The contractor or subcontractor shall furnish the same notification to each affected employee every time the job classification of the employee is changed."

Work performed in connection with the installation of modular furniture may be subject to prevailing wage.

**THIS PACKET IS NOT TO BE SEPARATED BUT IS TO REMAIN COMPLETE AS IT IS SUBMITTED TO YOU. (Reference guidelines and forms are included in this packet to be helpful in the compliance of the Prevailing Wage law.)**  
wh1500

# Prevailing Wage Rate Skilled Crafts

Name of Union: Asbestos Local 50 Zone 1

Change # : LCN01-2020fbLoc50

Craft : Asbestos Worker Effective Date : 03/25/2020 Last Posted : 03/25/2020

	BHR		Fringe Benefit Payments					Irrevocable Fund		Total PWR	Overtime Rate	
			H&W	Pension	App Tr.	Vac.	Annuity	Other	LECET (*)			MISC (*)
Classification												
Asbestos Insulation Mechanic	\$32.33		\$7.45	\$7.24	\$0.44	\$0.00	\$2.50	\$0.15	\$0.00	\$0.00	\$50.11	\$66.28
Firestop Technician	\$32.33		\$7.45	\$7.24	\$0.44	\$0.00	\$2.50	\$0.15	\$0.00	\$0.00	\$50.11	\$66.28
Apprentice	Percent											
1st year	52.83	\$17.08	\$7.21	\$0.00	\$0.40	\$0.00	\$0.00	\$0.15	\$0.00	\$0.00	\$24.84	\$33.38
2nd year	63.23	\$20.44	\$7.21	\$0.91	\$0.40	\$0.00	\$0.00	\$0.15	\$0.00	\$0.00	\$29.11	\$39.33
3rd year	72.65	\$23.49	\$7.21	\$1.81	\$0.40	\$0.00	\$0.30	\$0.15	\$0.00	\$0.00	\$33.36	\$45.10
4th year	83.05	\$26.85	\$7.21	\$1.81	\$0.40	\$0.00	\$0.30	\$0.15	\$0.00	\$0.00	\$36.72	\$50.15

**Special Calculation Note :** Other is Industry Fund.

## Ratio :

4 Journeymen to 1 Apprentice Company Wide  
except no apprentice may work on the jobsite without a  
Mechanic

## Jurisdiction ( \* denotes special jurisdictional note ) :

ATHENS, AUGLAIZE, BUTLER\*, CLINTON,  
CRAWFORD, DELAWARE, FAIRFIELD, FAYETTE,  
FRANKLIN, GUERNSEY, HARDIN, HOCKING,  
KNOX, LICKING, LOGAN, MADISON, MARION,  
MORGAN, MORROW, MUSKINGUM, NOBLE,  
PERRY, PICKAWAY, ROSS, SHELBY, UNION,  
VINTON, WARREN\*

**Special Jurisdictional Note :** Township of Butler County-Townships of Lemon and Madison. Warren County-Township of Cleer Creek, Franklin, Massie, Turtle Creek and Wayne

## Details :

# Prevailing Wage Rate Skilled Crafts

Name of Union: Asbestos Local 8 Heat & Frost Insulators

Change # : LCN01-2020fbAsbLoc8

Craft : Asbestos Worker Effective Date : 03/01/2020 Last Posted : 02/26/2020

	BHR		Fringe Benefit Payments					Irrevocable Fund		Total PWR	Overtime Rate	
			H&W	Pension	App Tr.	Vac.	Annuity	Other	LECET (*)			MISC (*)
<b>Classification</b>												
Asbestos Insulators	\$30.07		\$6.89	\$9.35	\$0.41	\$0.00	\$2.10	\$0.00	\$0.00	\$0.00	\$48.82	\$63.86
<b>Apprentice</b>	<b>Percent</b>											
1st year	45.90	\$13.80	\$6.89	\$5.10	\$0.41	\$0.00	\$2.10	\$0.00	\$0.00	\$0.00	\$28.30	\$35.20
2nd year	53.20	\$16.00	\$6.89	\$6.65	\$0.41	\$0.00	\$2.10	\$0.00	\$0.00	\$0.00	\$32.05	\$40.05
3rd year	58.20	\$17.50	\$6.89	\$6.65	\$0.41	\$0.00	\$2.10	\$0.00	\$0.00	\$0.00	\$33.55	\$42.30
4th year	63.20	\$19.00	\$6.89	\$6.65	\$0.41	\$0.00	\$2.10	\$0.00	\$0.00	\$0.00	\$35.05	\$44.56

**Special Calculation Note :** No special calculations for this skilled craft wage rate are required at this time.

**Ratio :**

- 1 Journeymen to 1 Apprentice
- 2 Journeymen to 2 Apprentice
- 3 Journeymen to 3 Apprentice
- 3 Journeymen to 1 Apprentice there After

**Jurisdiction ( \* denotes special jurisdictional note ) :**

ADAMS, BROWN, BUTLER\*, CLERMONT,  
HAMILTON, HIGHLAND, WARREN\*

**Special Jurisdictional Note :** In Butler County:townships of

Fairfield,Hanover,Liberty,Milford,Morgan,Oxford,Ripley,Ross,St.Clair,Union & Wayne. In Warren County: Townships of Deerfield,Hamilton,Harlan,Salem,Union & Washington

**Details :**

All work in connection with Asbestos Removal, Abatement, Encapsulation, Lead Abatement, Hazardous Materials and Fire Stopping which is performed by employees in the Mechanic or Apprentice Classification shall be covered under the terms of this Agreement.

# Prevailing Wage Rate Skilled Crafts

Name of Union: Asbestos Local 207 OH

Change # : LCN01-2018fbLoc207OH

Craft : Asbestos Worker Effective Date : 08/23/2018 Last Posted : 08/23/2018

	BHR	Fringe Benefit Payments						Irrevocable Fund		Total PWR	Overtime Rate
		H&W	Pension	App Tr.	Vac.	Annuity	Other	LECET (*)	MISC (*)		
<b>Classification</b>											
Asbestos Abatement	\$25.50	\$7.25	\$6.45	\$0.65	\$0.00	\$0.00	\$0.07	\$0.00	\$0.00	\$39.92	\$52.67
Trainee	\$16.50	\$7.25	\$1.50	\$0.65	\$0.00	\$0.00	\$0.07	\$0.00	\$0.00	\$25.97	\$34.22

**Special Calculation Note :**

**Ratio :**

3 Journeymen to 1 Trainee

**Jurisdiction ( \* denotes special jurisdictional note ) :**

ADAMS, ASHLAND, ASHTABULA\*, ATHENS, AUGLAIZE, BROWN, BUTLER\*, CARROLL, CHAMPAIGN, CLARK, CLERMONT, CLINTON, COLUMBIANA, COSHOCTON, CRAWFORD, CUYAHOGA, DARKE, DELAWARE, FAIRFIELD, FAYETTE, FRANKLIN, GEAUGA, GREENE, GUERNSEY, HAMILTON, HARDIN, HARRISON, HIGHLAND, HOCKING, HOLMES, HURON, KNOX, LAKE, LICKING, LOGAN, LORAIN, MADISON, MAHONING, MARION, MEDINA, MIAMI, MONTGOMERY, MORGAN, MORROW, MUSKINGUM, NOBLE, PERRY, PICKAWAY, PORTAGE, PREBLE, RICHLAND, ROSS, SHELBY, STARK, SUMMIT, TRUMBULL, TUSCARAWAS, UNION, VINTON, WARREN\*, WAYNE

**Special Jurisdictional Note :** Butler County:( townships of Fairfield,Hanover,Liberty,Milford,Morgan,Oxford,Ripley,Ross,StClair,Union & Wayne.) (Lemon & Madison) Warren County: (townships of: Deerfield, Hamilton, Harlan, Salem, Union & Washington). ( Clear Creek, Franklin, Mossie, Turtle Creek & Wayney). Ashtabula County: (post offices & townships of Ashtabula, Austinburg, Geneva, Harperfield, Jefferson, Plymouth & Saybrook) (townships of Andover, Cherry Valley, Colbrook, Canneaut, Denmark, Dorset, East Orwell, Hartsgrove, Kingville, Lenox, Monroe,Morgan,New Lyme,North Kingsville, Orwell, Pierpoint, Richmond Rock Creek, Rome, Sheffield, Trumbull, Wayne, Williamsfield & Windsor) Erie County:(post offices & townships of Berlin, Berlin Heights,Birmingham,Florence ,Huron, Milan, Shinrock & Vermilion)

**Details :**

Asbestos & lead paint abatement including,but not limited to the removal or encapsulation of asbestos & lead paint,all work in conjunction with the preparation of the removal of same & all work in conjunction with the clean up after said removal.The removal of all insulation materials, whether they contain asbestos or not, from mechanical systems (pipes, boilers, ducts, flues, breaching, etc.) is recognized as being the exclusive work of the Asbestos Abatement Workers.

On all mechanical systems (pipes, boilers, ducts, flues, breaching, etc.) that are going to be demolished, the removal of all insulating materials whether they contain asbestos or not shall be the exclusive work of the Laborers.

An Abatement Journeyman is anyone who has more than 300 hours in the Asbestos Abatement field.

# Prevailing Wage Rate Skilled Crafts

Name of Union: Boilermaker Local 105

Change # : LCN02-2013fbLoc 105

Craft : Boilermaker Effective Date : 10/01/2013 Last Posted : 09/25/2013

	BHR		Fringe Benefit Payments					Irrevocable Fund		Total PWR	Overtime Rate	
			H&W	Pension	App Tr.	Vac.	Annuity	Other	LECET (*)			MISC (*)
Classification												
Boilermaker	\$35.26		\$7.07	\$13.28	\$0.89	\$0.00	\$3.00	\$0.55	\$0.00	\$0.00	\$60.05	\$77.68
Apprentice	Percent											
1st 6 months	70.03	\$24.69	\$7.07	\$11.30	\$0.89	\$0.00	\$2.10	\$0.55	\$0.00	\$0.00	\$46.60	\$58.95
2nd 6 months	75.02	\$26.45	\$7.07	\$11.30	\$0.89	\$0.00	\$2.25	\$0.55	\$0.00	\$0.00	\$48.51	\$61.74
3rd 6 months	80.00	\$28.21	\$7.07	\$11.30	\$0.89	\$0.00	\$2.40	\$0.55	\$0.00	\$0.00	\$50.42	\$64.52
4th 6 months	85.02	\$29.98	\$7.07	\$11.30	\$0.89	\$0.00	\$2.55	\$0.55	\$0.00	\$0.00	\$52.34	\$67.33
5th 6 months	87.52	\$30.86	\$7.07	\$13.28	\$0.89	\$0.00	\$2.63	\$0.55	\$0.00	\$0.00	\$55.28	\$70.71
6th 6 months	90.03	\$31.74	\$7.07	\$13.28	\$0.89	\$0.00	\$2.70	\$0.55	\$0.00	\$0.00	\$56.23	\$72.11
7th 6 months	92.50	\$32.62	\$7.07	\$13.28	\$0.89	\$0.00	\$2.78	\$0.55	\$0.00	\$0.00	\$57.19	\$73.49
8th 6 months	95.00	\$33.50	\$7.07	\$13.28	\$0.89	\$0.00	\$2.85	\$0.55	\$0.00	\$0.00	\$58.14	\$74.89

**Special Calculation Note :** Other is Supplemental Health and Welfare

**Ratio :**

5 Journeymen to 1 Apprentice

**Jurisdiction ( \* denotes special jurisdictional note ) :**

ADAMS, ATHENS, BROWN, BUTLER,  
CHAMPAIGN, CLARK, CLERMONT, CLINTON,  
FAIRFIELD, FAYETTE, FRANKLIN, GALLIA,  
GREENE, GUERNSEY, HAMILTON, HIGHLAND,  
HOCKING, JACKSON, LAWRENCE, LICKING,  
MADISON, MEIGS, MIAMI, MONTGOMERY,  
MORGAN, MUSKINGUM, NOBLE, PERRY,  
PICKAWAY, PIKE, PREBLE, ROSS, SCIOTO,  
VINTON, WARREN

**Special Jurisdictional Note :**

**Details :**

# Prevailing Wage Rate Skilled Crafts

Name of Union: Boilermaker Local 154

Change # : LCN01-2012kpLoc 154

Craft : Boilermaker Effective Date : 03/22/2012 Last Posted : 03/22/2012

	BHR		Fringe Benefit Payments						Irrevocable Fund		Total PWR	Overtime Rate
			H&W	Pension	App Tr.	Vac.	Annuity	Other	LECET (*)	MISC (*)		
<b>Classification</b>												
Boilermaker	\$36.17		\$8.57	\$11.28	\$0.55	\$0.00	\$4.25	\$0.34	\$0.00	\$1.40	\$62.56	\$80.65
Trainee 60%	\$23.25		\$8.57	\$3.59	\$0.55	\$0.00	\$4.25	\$0.34	\$0.00	\$1.40	\$41.95	\$53.57
Trainee 70%	\$27.13		\$8.57	\$3.59	\$0.55	\$0.00	\$4.25	\$0.34	\$0.00	\$1.40	\$45.83	\$59.40
Trainee 80%	\$31.00		\$8.57	\$3.59	\$0.55	\$0.00	\$4.25	\$0.34	\$0.00	\$1.40	\$49.70	\$65.20
Trainee 90%	\$34.88		\$8.57	\$3.59	\$0.55	\$0.00	\$4.25	\$0.34	\$0.00	\$1.40	\$53.58	\$71.02
<b>Apprentice Registered After 11/01/2005</b>	<b>Percent</b>											
1st 6 months	60.00	\$21.70	\$8.57	\$3.59	\$0.55	\$0.00	\$4.25	\$0.34	\$0.00	\$1.40	\$40.40	\$51.25
2nd 6 months	65.00	\$23.51	\$8.57	\$3.59	\$0.55	\$0.00	\$4.25	\$0.34	\$0.00	\$1.40	\$42.21	\$53.97
3rd 6 months	70.00	\$25.32	\$8.57	\$3.59	\$0.55	\$0.00	\$4.25	\$0.34	\$0.00	\$1.40	\$44.02	\$56.68
4th 6 months	75.00	\$27.13	\$8.57	\$3.59	\$0.55	\$0.00	\$4.25	\$0.34	\$0.00	\$1.40	\$45.83	\$59.39
5th 6 months	80.00	\$28.94	\$8.57	\$3.59	\$0.55	\$0.00	\$4.25	\$0.34	\$0.00	\$1.40	\$47.64	\$62.10
6th 6 months	85.00	\$30.74	\$8.57	\$3.59	\$0.55	\$0.00	\$4.25	\$0.34	\$0.00	\$1.40	\$49.44	\$64.82
7th 6 months	90.00	\$32.55	\$8.57	\$3.59	\$0.55	\$0.00	\$4.25	\$0.34	\$0.00	\$1.40	\$51.25	\$67.53
8th 6 months	95.00	\$34.36	\$8.57	\$3.59	\$0.55	\$0.00	\$4.25	\$0.34	\$0.00	\$1.40	\$53.06	\$70.24

**Special Calculation Note :** No special calculations for this skilled craft wage rate are required at this time.

**Ratio :**  
5 Journeymen to 1 Apprentice

**Jurisdiction ( \* denotes special jurisdictional note ) :**  
BUTLER, COLUMBIANA, FAYETTE, JEFFERSON,  
LAWRENCE, MERCER, WARREN, WASHINGTON

**Special Jurisdictional Note :**

**Details :**  
Work includes but not limited to: boiler making, acetylene burning, riveting, chipping, caulking, rigging, fitting-up, grinding, reaming, impact machine operating, unloading, and handling of boilermaker's material and equipment. Boilermakers, Blacksmiths, Forgers, Iron Shipbuilders

# Prevailing Wage Rate Skilled Crafts

Name of Union: Bricklayer Local 18

Change # : LCN01-2019fbLoc18

Craft : Bricklayer Effective Date : 06/05/2019 Last Posted : 06/05/2019

Classification	BHR		Fringe Benefit Payments					Irrevocable Fund		Total PWR	Overtime Rate	
			H&W	Pension	App Tr.	Vac.	Annuity	Other	LECET			MISC
									(*)			(*)
Bricklayer	\$28.66		\$8.75	\$5.38	\$0.53	\$0.00	\$0.00	\$0.00	\$0.00	\$0.00	\$43.32	\$57.65
Stone Mason	\$28.66		\$8.75	\$5.38	\$0.53	\$0.00	\$0.00	\$0.00	\$0.00	\$0.00	\$43.32	\$57.65
Pointer Caulker Cleaner	\$28.66		\$8.75	\$5.38	\$0.53	\$0.00	\$0.00	\$0.00	\$0.00	\$0.00	\$43.32	\$57.65
Refractory Workers	\$29.66		\$8.75	\$5.38	\$0.52	\$0.00	\$0.00	\$0.00	\$0.00	\$0.00	\$44.31	\$59.14
Refractory Worker Hot Pay	\$31.66		\$8.75	\$5.38	\$0.52	\$0.00	\$0.00	\$0.00	\$0.00	\$0.00	\$46.31	\$62.14
Sawman	\$28.91		\$8.75	\$5.38	\$0.53	\$0.00	\$0.00	\$0.00	\$0.00	\$0.00	\$43.57	\$58.03
Layout Man	\$28.91		\$8.75	\$5.38	\$0.53	\$0.00	\$0.00	\$0.00	\$0.00	\$0.00	\$43.57	\$58.03
Free Standing Chimney	\$29.16		\$8.75	\$5.38	\$0.53	\$0.00	\$0.00	\$0.00	\$0.00	\$0.00	\$43.82	\$58.40
<b>Apprentice</b>	<b>Percent</b>											
1st 6 months	60.00	\$17.20	\$8.75	\$5.38	\$0.53	\$0.00	\$0.00	\$0.00	\$0.00	\$0.00	\$31.86	\$40.45
2nd 6 months	65.00	\$18.63	\$8.75	\$5.38	\$0.53	\$0.00	\$0.00	\$0.00	\$0.00	\$0.00	\$33.29	\$42.60
3rd 6 months	70.00	\$20.06	\$8.75	\$5.38	\$0.53	\$0.00	\$0.00	\$0.00	\$0.00	\$0.00	\$34.72	\$44.75
4th 6 months	75.00	\$21.50	\$8.75	\$5.38	\$0.53	\$0.00	\$0.00	\$0.00	\$0.00	\$0.00	\$36.16	\$46.90
5th 6 months	80.00	\$22.93	\$8.75	\$5.38	\$0.53	\$0.00	\$0.00	\$0.00	\$0.00	\$0.00	\$37.59	\$49.05
6th 6 months	85.00	\$24.36	\$8.75	\$5.38	\$0.53	\$0.00	\$0.00	\$0.00	\$0.00	\$0.00	\$39.02	\$51.20
7th 6 months	90.00	\$25.79	\$8.75	\$5.38	\$0.53	\$0.00	\$0.00	\$0.00	\$0.00	\$0.00	\$40.45	\$53.35
8th 6 months	95.00	\$27.23	\$8.75	\$5.38	\$0.53	\$0.00	\$0.00	\$0.00	\$0.00	\$0.00	\$41.89	\$55.50
MASON FINISHER 1st 180 Days	45.00	\$12.90	\$0.00	\$0.00	\$0.00	\$0.00	\$0.00	\$0.00	\$0.00	\$0.00	\$12.90	\$19.35
	45.00	\$12.90	\$8.75	\$0.00	\$0.00	\$0.00	\$0.00	\$0.00	\$0.00	\$0.00	\$21.65	\$28.10



1st Year H&W after 6 months												
2nd Year	50.00	\$14.33	\$8.75	\$0.00	\$0.00	\$0.00	\$0.00	\$0.00	\$0.00	\$0.00	\$23.08	\$30.25

**Special Calculation Note :** \*\*In order to utilize a Pre-Apprentice, you must have 1 Registered Apprentice in your employ.

**Ratio :**

- 1-2 Journeyman to 1 Apprentice
- 3-4 Journeyman to 2 Apprentice
- 5-6 Journeyman to 2 Apprentice
- 7-10 Journeyman to 3 Apprentice

- 1 Apprentice permits 1 Mason Trainee
- 2 Apprentice permits 1 Mason Trainee
- 3 Apprentice permits 2 Mason Trainees
- 4 Apprentice permits 2 Mason Trainees

For each additional 5 Journeyman to 1 Apprentice,  
for every 3 additional Apprentices, 1 Mason Finisher  
may be added

**Jurisdiction ( \* denotes special jurisdictional note ) :**

BROWN, BUTLER, CLERMONT, HAMILTON,  
PREBLE\*, WARREN

**Special Jurisdictional Note :** In Preble County the following townships are included: (Dixon, Gasper, Graits, Israel, Lanier and Somers)

**Details :**

MASON FINISHER:duties shall be to work in all aspects of Masonry construction taking direction from the employer and the Journeyman Bricklayer & Stone Mason's working on the job. Mason Finisher's may work on job site only when a registered apprentice is on job and the ratios in table above will strictly be enforced.

Refractory work is classified as working with any of the following materials:  
Acid brick, carbon black brick or carbon black block, firebrick grinding, plastics (with a gun)  
and any resinous cement.

Fifty cents (\$0.50) per hour above scale shall be paid to employees working on free standing industrial or institutional chimneys which are completely detached from any building structure.

# Prevailing Wage Rate Skilled Crafts

Name of Union: Bricklayer Local 18 Tile Finisher

Change # : LCN01-2019fbLoc18

Craft : Bricklayer Effective Date : 09/04/2019 Last Posted : 09/04/2019

	BHR		Fringe Benefit Payments					Irrevocable Fund		Total PWR	Overtime Rate	
			H&W	Pension	App Tr.	Vac.	Annuity	Other	LECET (*)			MISC (*)
<b>Classification</b>												
Bricklayer Tile Marble Terrazzo Finisher	\$24.69		\$9.22	\$5.10	\$0.50	\$0.00	\$0.00	\$0.00	\$0.00	\$0.00	\$39.51	\$51.86
Terrazzo Base Grinder	\$25.19		\$9.22	\$5.10	\$0.50	\$0.00	\$0.00	\$0.00	\$0.00	\$0.00	\$40.01	\$52.61
Marble Sander Polisher	\$24.79		\$9.22	\$5.10	\$0.50	\$0.00	\$0.00	\$0.00	\$0.00	\$0.00	\$39.61	\$52.01
<b>Apprentices</b>	<b>Percent</b>											
1st 6 months 0-600 hrs	60.00	\$14.81	\$9.22	\$5.10	\$0.50	\$0.00	\$0.00	\$0.00	\$0.00	\$0.00	\$29.63	\$37.04
2nd 6 months 601-1200 hrs	65.00	\$16.05	\$9.22	\$5.10	\$0.50	\$0.00	\$0.00	\$0.00	\$0.00	\$0.00	\$30.87	\$38.89
3rd 6 months 1201-1800 hrs	70.00	\$17.28	\$9.22	\$5.10	\$0.50	\$0.00	\$0.00	\$0.00	\$0.00	\$0.00	\$32.10	\$40.74
4th 6 months 1801-2400 hrs	75.00	\$18.52	\$9.22	\$5.10	\$0.50	\$0.00	\$0.00	\$0.00	\$0.00	\$0.00	\$33.34	\$42.60
5th 6 months 2401-3000 hrs	80.00	\$19.75	\$9.22	\$5.10	\$0.50	\$0.00	\$0.00	\$0.00	\$0.00	\$0.00	\$34.57	\$44.45
6th 6 months 3001-3600	90.00	\$22.22	\$9.22	\$5.10	\$0.50	\$0.00	\$0.00	\$0.00	\$0.00	\$0.00	\$37.04	\$48.15
1-30 Days Prior to Entering Apprenticeship	50.00	\$12.35	\$0.00	\$0.00	\$0.00	\$0.00	\$0.00	\$0.00	\$0.00	\$0.00	\$12.35	\$18.52

**Special Calculation Note :** Classification title contains "Bricklayer" because contract originates within the Bricklayer Local.

Note that the classification description is clarified after the local union number at the top of the page. \*\*In order to utilize a Pre-Apprentice, you must have 1 Registered Apprentice in your employ.\*\*

**Ratio :**

- 1 Journeyman to 1 Apprentice
- 5 Journeymen to 1 Apprentice
- 10 Journeymen to 2 Apprentices
- 15 Journeymen to 3 Apprentices
- 20 Journeymen to 4 Apprentices
- 25 Journeymen to 5 Apprentices

**Jurisdiction (\* denotes special jurisdictional note) :**

- ADAMS, BROWN, BUTLER, CLERMONT, GALLIA,
- HAMILTON, LAWRENCE, PREBLE\*, SCIOTO,
- WARREN, WARREN\*

**Special Jurisdictional Note :** Warren in the townships of Dixon, Gasper, Irsel, Somers & Gratis in Preble County

**Details :**

# Prevailing Wage Rate Skilled Crafts

Name of Union: Bricklayer Local 18 Tile Mechanic

Change # : LCN01-2019fbLoc18

Craft : Bricklayer Effective Date : 09/04/2019 Last Posted : 09/04/2019

	BHR		Fringe Benefit Payments					Irrevocable Fund		Total PWR	Overtime Rate	
			H&W	Pension	App Tr.	Vac.	Annuity	Other	LECET (*)			MISC (*)
<b>Classification</b>												
Bricklayer Tile Terrazzo Marble Mason Mechanic	\$29.24		\$9.22	\$5.10	\$0.54	\$0.00	\$0.00	\$0.00	\$0.00	\$0.00	\$44.10	\$58.72
Marble Layout Work	\$29.74		\$9.22	\$5.10	\$0.54	\$0.00	\$0.00	\$0.00	\$0.00	\$0.00	\$44.60	\$59.47
Swing Scaffold Worker	\$30.74		\$9.22	\$5.10	\$0.54	\$0.00	\$0.00	\$0.00	\$0.00	\$0.00	\$45.60	\$60.97
Apprentice after 2 years (2400 hrs) as Apprentice Finisher												
5th/6 Months 0-600 hrs.	70.00	\$20.47	\$9.22	\$5.10	\$0.54	\$0.00	\$0.00	\$0.00	\$0.00	\$0.00	\$35.33	\$45.56
6th/6 months 601-1200 hrs.	75.00	\$21.93	\$9.22	\$5.10	\$0.54	\$0.00	\$0.00	\$0.00	\$0.00	\$0.00	\$36.79	\$47.75
7th/6 months 1201-1800 hrs.	80.00	\$23.39	\$9.22	\$5.10	\$0.54	\$0.00	\$0.00	\$0.00	\$0.00	\$0.00	\$38.25	\$49.95
8th/6 months 1801-2400 hrs.	90.00	\$26.32	\$9.22	\$5.10	\$0.54	\$0.00	\$0.00	\$0.00	\$0.00	\$0.00	\$41.18	\$54.33

**Special Calculation Note :** Classification title contains "Bricklayer" because contract originates within the Bricklayer Local. Note that the classification description is clarified after the local union number at the top of the page.

**Ratio :**

- 1 Journeyman to 1 Apprentice
- 5 Journeymen to 1 Apprentice
- 10 Journeymen to 2 Apprentices
- 15 Journeymen to 3 Apprentices
- 20 Journeymen to 4 Apprentices
- 25 Journeymen to 5 Apprentices

**Jurisdiction ( \* denotes special jurisdictional note ) :**

- ADAMS, BROWN, BUTLER, CLERMONT, GALLIA,
- HAMILTON, LAWRENCE, PREBLE\*, SCIOTO, WARREN

**Special Jurisdictional Note :** In Preble County the Townships of Dixon, Israel, Gasper, Lanier, Somers and Gratis.

**Details :**

\*\*In order to utilize a Pre-Apprentice, you must have 1 Registered Apprentice in your employ.\*\*

# Prevailing Wage Rate Skilled Crafts

Name of Union: Carpenter & Pile Driver SW District HevHwy

Change # : LCN01-2020fbLoc126

Craft : Carpenter Effective Date : 05/07/2019 Last Posted : 05/07/2020

	BHR		Fringe Benefit Payments					Irrevocable Fund		Total PWR	Overtime Rate	
			H&W	Pension	App Tr.	Vac.	Annuity	Other	LECET (*)	MISC (*)		
Classification												
Carpenter	\$31.01		\$7.89	\$6.95	\$0.40	\$0.00	\$2.82	\$0.12	\$0.00	\$0.00	\$49.19	\$64.70
Pile Driver	\$29.34		\$6.63	\$6.95	\$0.40	\$0.00	\$1.97	\$0.10	\$0.00	\$0.00	\$45.39	\$60.06
<b>Apprentice</b>	<b>Percent</b>											
1st 6 Months	60.00	\$18.61	\$7.89	\$6.95	\$0.40	\$0.00	\$2.82	\$0.12	\$0.00	\$0.00	\$36.79	\$46.09
2nd 6 Months is 1st year	65.00	\$20.16	\$7.89	\$6.95	\$0.40	\$0.00	\$2.82	\$0.12	\$0.00	\$0.00	\$38.34	\$48.41
3rd 6 Months	70.00	\$21.71	\$7.89	\$6.95	\$0.40	\$0.00	\$2.82	\$0.12	\$0.00	\$0.00	\$39.89	\$50.74
4th 6 Months is 2 years	75.00	\$23.26	\$7.89	\$6.95	\$0.40	\$0.00	\$2.82	\$0.12	\$0.00	\$0.00	\$41.44	\$53.07
5th 6 Months	80.00	\$24.81	\$7.89	\$6.95	\$0.40	\$0.00	\$2.82	\$0.12	\$0.00	\$0.00	\$42.99	\$55.39
6th 6 Months is 3 years	85.00	\$26.36	\$7.89	\$6.95	\$0.40	\$0.00	\$2.82	\$0.12	\$0.00	\$0.00	\$44.54	\$57.72
7th 6 Months	90.00	\$27.91	\$7.89	\$6.95	\$0.40	\$0.00	\$2.82	\$0.12	\$0.00	\$0.00	\$46.09	\$60.04
8th 6 Months is 4 years	95.00	\$29.46	\$7.89	\$6.95	\$0.40	\$0.00	\$2.82	\$0.12	\$0.00	\$0.00	\$47.64	\$62.37

**Special Calculation Note** : Other is UBC National Fund.

**Ratio :**

1 Journeymen to 1 Apprentice

An employer shall have the right to employ one (1) Apprentice for one (1) Journeyman Carpenter in its employment for the first Apprentice employed, and 1 (1) Apprentice for two (2) Journeyman Carpenter for additional Apprentices employed.

Thereafter, every third additional carpenter hired shall be

**Jurisdiction ( \* denotes special jurisdictional note ) :**

BROWN, BUTLER, CHAMPAIGN, CLARK, CLERMONT, CLINTON, DARKE, GREENE, HAMILTON, LOGAN, MIAMI, MONTGOMERY, PREBLE, SHELBY, WARREN

an apprentice, if available, and if practical for the type of work being performed.

**Special Jurisdictional Note :**

**Details :**

Highway Construction, Airport Construction, Heavy Construction but not limited to:(tunnels,subways,drainage projects,flood control,reservoirs). Railroad Construction,Sewer Waterworks & Utility Construction but not limited to: (storm sewers, waterlines, gaslines). Industrial & Building Site, Power Plant, Amusement Park, Athletic Stadium Site, Sewer and Water Plants.

When the Contractor furnishes the necessary underwater gear for the Diver, the Diver shall be paid one and one half (1&1/2) times the journeyman rate for the time spent in the water.

# Prevailing Wage Rate Skilled Crafts

Name of Union: Carpenter & Pile Driver  
SW Zone 2

Change # : LCN01-2020fbLoc126

Craft : Carpenter Effective Date : 06/18/2020 Last Posted : 06/18/2020

	BHR		Fringe Benefit Payments					Irrevocable Fund		Total PWR	Overtime Rate	
			H&W	Pension	App Tr.	Vac.	Annuity	Other	LECET (*)	MISC (*)		
Classification												
Carpenter	\$27.87		\$7.81	\$6.95	\$0.38	\$0.00	\$1.64	\$0.17	\$0.00	\$0.00	\$44.82	\$58.76
Pile Driver	\$25.84		\$6.62	\$6.95	\$0.40	\$0.00	\$0.91	\$0.10	\$0.00	\$0.00	\$40.82	\$53.74
Apprentice	Percent											
1st 3 Months	60.00	\$16.72	\$0.00	\$0.00	\$0.00	\$0.00	\$0.00	\$0.00	\$0.00	\$0.00	\$16.72	\$25.08
2nd 3 Months	60.00	\$16.72	\$7.81	\$0.00	\$0.38	\$0.00	\$1.64	\$0.17	\$0.00	\$0.00	\$26.72	\$35.08
2rd 6 Months	60.00	\$16.72	\$7.81	\$0.00	\$0.38	\$0.00	\$1.64	\$0.17	\$0.00	\$0.00	\$26.72	\$35.08
3rd 6 Months	65.00	\$18.12	\$7.81	\$0.00	\$0.38	\$0.00	\$1.64	\$0.17	\$0.00	\$0.00	\$28.12	\$37.17
4th 6 Months	65.00	\$18.12	\$7.81	\$0.00	\$0.38	\$0.00	\$1.64	\$0.17	\$0.00	\$0.00	\$28.12	\$37.17
5th 6 Months	70.00	\$19.51	\$7.81	\$6.95	\$0.38	\$0.00	\$1.64	\$0.17	\$0.00	\$0.00	\$36.46	\$46.21
6th 6 Months	75.00	\$20.90	\$7.81	\$6.95	\$0.38	\$0.00	\$1.64	\$0.17	\$0.00	\$0.00	\$37.85	\$48.30
7th 6 Months	80.00	\$22.30	\$7.81	\$6.95	\$0.38	\$0.00	\$1.64	\$0.17	\$0.00	\$0.00	\$39.25	\$50.39
8th 6 Months	85.00	\$23.69	\$7.81	\$6.95	\$0.38	\$0.00	\$1.64	\$0.17	\$0.00	\$0.00	\$40.64	\$52.48

**Special Calculation Note :** Other is for UBC National Fund.

**Ratio :**

- 1 Journeyman to 1 Apprentice
- 3 Journeyman to 1 Apprentice
- 5 Journeyman to 1 Apprentice

**Jurisdiction ( \* denotes special jurisdictional note ) :**

BROWN, BUTLER, CLERMONT, CLINTON,  
HAMILTON, WARREN

**Special Jurisdictional Note :**

**Details :**

Carpenter duties shall include but not limited to: Pile driving,

milling, fashioning, joining, assembling, erecting, fastening, or dismantling of all material of wood, plastic, metal, fiber, cork, and composition, and all other substitute materials: pile driving, cutting, fitting, and placing of lagging, and the handling, cleaning, erecting, installing, and dismantling of machinery, equipment, and erecting pre-engineered metal buildings.

Pile Drivers work but not limited to: unloading, assembling, erection, repairs, operation, signaling, dismantling, and reloading all equipment that is used for pile driving including pile butts. pile butts is defined as sheeting or scrap piling. Underwater work that may be required in connection with the installation of piling. The diver and his tender work as a team and shall arrive at their own financial arrangements with the contractor. Any configuration of wood, steel, concrete, or composite that is jetted, driven, or vibrated onto the ground by conventional pile driving equipment for the purpose of supporting a future load that may be permanent or temporary.

Driving bracing, plumbing, cutting off and capping of all piling whether wood, metal, pipe piling or composite. loading, unloading, erecting, framing, dismantling, moving, and handling of pile driving equipment. piling used in the construction and repair of all wharves, docks, piers, trestles, caissons, cofferdams, and the erection of all sea walls and breakwaters. All underwater and marine work on bulkheads, wharves, docks, shipyards, caissons, piers, bridges, pipeline work, viaducts, marine cable and trestles, as well as salvage and reclamation work where divers are employed.

Rate shall include carpenters, acoustic, and ceiling installers, drywall installers, pile drivers, and floorlayers.

# Prevailing Wage Rate Skilled Crafts

Name of Union: Carpenter Floorlayer SW District G

Change # : LCR01-2020fbLocSWDayton

Craft : Carpenter Effective Date : 09/10/2020 Last Posted : 09/10/2020

	BHR		Fringe Benefit Payments					Irrevocable Fund		Total PWR	Overtime Rate	
			H&W	Pension	App Tr.	Vac.	Annuity	Other	LECET (*)			MISC (*)
Classification												
Carpenter Floorlayer	\$26.36		\$7.80	\$6.95	\$0.40	\$0.00	\$1.70	\$0.12	\$0.00	\$0.00	\$43.33	\$56.51
Apprentice	Percent											
1st 3 months	60.00	\$15.82	\$0.00	\$0.00	\$0.00	\$0.00	\$0.00	\$0.00	\$0.00	\$0.00	\$15.82	\$23.72
2nd 3 months	60.00	\$15.82	\$7.80	\$0.00	\$0.40	\$0.00	\$1.70	\$0.12	\$0.00	\$0.00	\$25.84	\$33.74
2nd 6 months	60.00	\$15.82	\$7.80	\$0.00	\$0.40	\$0.00	\$1.70	\$0.12	\$0.00	\$0.00	\$25.84	\$33.74
3rd 6 months	60.00	\$15.82	\$7.80	\$0.00	\$0.40	\$0.00	\$1.70	\$0.12	\$0.00	\$0.00	\$25.84	\$33.74
4th 6 months	65.00	\$17.13	\$7.80	\$0.00	\$0.40	\$0.00	\$1.70	\$0.12	\$0.00	\$0.00	\$27.15	\$35.72
5th 6 months	70.00	\$18.45	\$7.80	\$6.95	\$0.40	\$0.00	\$1.70	\$0.12	\$0.00	\$0.00	\$35.42	\$44.65
6th 6 months	75.00	\$19.77	\$7.80	\$6.95	\$0.40	\$0.00	\$1.70	\$0.12	\$0.00	\$0.00	\$36.74	\$46.63
7th 6 months	80.00	\$21.09	\$7.80	\$6.95	\$0.40	\$0.00	\$1.70	\$0.12	\$0.00	\$0.00	\$38.06	\$48.60
8th 6 months	85.00	\$22.41	\$7.80	\$6.95	\$0.40	\$0.00	\$1.70	\$0.12	\$0.00	\$0.00	\$39.38	\$50.58

**Special Calculation Note :** Other fs for UBC National Fund and Install

**Ratio :**

1 Journeymen to 1 Apprentice

**Jurisdiction ( \* denotes special jurisdictional note ) :**

BROWN, BUTLER, CHAMPAIGN, CLARK, CLERMONT, CLINTON, DARKE, GREENE, HAMILTON, LOGAN, MIAMI, MONTGOMERY, PREBLE, SHELBY, WARREN

**Special Jurisdictional Note :**

**Details :**

Scope of work shall include, but not be limited to: receiving,unloading,handling,distribution and installation of all carpeting materials,carpet padding or matting materials and all resilient materials whether for use on walls,



floors, counter, sink, table and all preparation work necessary in connection therewith, including sanding work. the installation of nonstructural under-layment and the work of removing, cleaning waxing of any of the above. Carpeting shall include any floor covering composed of either natural or synthetic fibers that are made in breadths to be sewed, fastened or directly glued to floors or over cushioning sound-proofing materials. Resilient Floors shall consist of and include the laying of all special designs of wood, wood block, wood composition, cork, linoleum, asphalt, mastic, plastic, rubber tile, whether nailed or glued.

# Prevailing Wage Rate Skilled Crafts

Name of Union: Carpenter Millwright Local 1090 SW Zone I

Change # : LCN01-2020fbLoc1066

Craft : Carpenter Effective Date : 09/10/2020 Last Posted : 09/10/2020

	BHR		Fringe Benefit Payments					Irrevocable Fund		Total PWR	Overtime Rate	
			H&W	Pension	App Tr.	Vac.	Annuity	Other	LECET (*)			MISC (*)
Classification												
Carpenter Millwright	\$32.00		\$7.78	\$6.95	\$0.44	\$0.00	\$6.73	\$0.25	\$0.00	\$0.00	\$54.15	\$70.15
Apprentice	Percent											
1st 6 months	60.00	\$19.20	\$7.78	\$4.27	\$0.44	\$0.00	\$4.04	\$0.25	\$0.00	\$0.00	\$35.98	\$45.58
2nd 6 months	65.00	\$20.80	\$7.78	\$4.61	\$0.44	\$0.00	\$4.37	\$0.25	\$0.00	\$0.00	\$38.25	\$48.65
3rd 6 months	70.00	\$22.40	\$7.78	\$4.94	\$0.44	\$0.00	\$4.71	\$0.25	\$0.00	\$0.00	\$40.52	\$51.72
4th 6 months	75.00	\$24.00	\$7.78	\$5.28	\$0.44	\$0.00	\$5.05	\$0.25	\$0.00	\$0.00	\$42.80	\$54.80
5th 6 months	80.00	\$25.60	\$7.78	\$5.61	\$0.44	\$0.00	\$5.38	\$0.25	\$0.00	\$0.00	\$45.06	\$57.86
6th 6 months	85.00	\$27.20	\$7.78	\$5.95	\$0.44	\$0.00	\$5.72	\$0.25	\$0.00	\$0.00	\$47.34	\$60.94
7th 6 months	90.00	\$28.80	\$7.78	\$6.28	\$0.44	\$0.00	\$6.06	\$0.25	\$0.00	\$0.00	\$49.61	\$64.01
8th 6 months	95.00	\$30.40	\$7.78	\$6.62	\$0.44	\$0.00	\$6.39	\$0.25	\$0.00	\$0.00	\$51.88	\$67.08

**Special Calculation Note :** Other (\$0.25) \$0.10 National Fund, \$0.10. Drug Safety Program \$0.10 and National Millwright Fund \$0.05

**Ratio :**

3 Journeymen to 1 Apprentice

**Jurisdiction ( \* denotes special jurisdictional note ) :**

BROWN, BUTLER, CLERMONT, CLINTON, HAMILTON, WARREN

**Special Jurisdictional Note :**

**Details :**

# Prevailing Wage Rate Skilled Crafts

Name of Union: Carpenter NE District Industrial Dock & Door

Change # : LCN01-2014fbCarpNEStatewide

Craft : Carpenter Effective Date : 03/05/2014 Last Posted : 03/05/2014

	BHR		Fringe Benefit Payments					Irrevocable Fund		Total PWR	Overtime Rate	
			H&W	Pension	App Tr.	Vac.	Annuity	Other	LECET (*)			MISC (*)
Classification												
Carpenter	\$19.70		\$5.05	\$1.00	\$0.15	\$0.00	\$0.00	\$0.00	\$0.00	\$0.00	\$25.90	\$35.75
Trainee	Percent											
1st Year	60.00	\$11.82	\$5.05	\$1.00	\$0.15	\$0.00	\$0.00	\$0.00	\$0.00	\$0.00	\$18.02	\$23.93
2nd Year	80.20	\$15.80	\$5.05	\$1.00	\$0.15	\$0.00	\$0.00	\$0.00	\$0.00	\$0.00	\$22.00	\$29.90

**Special Calculation Note :** No special calculations for this skilled craft wage rate are required at this time.

**Ratio :**

1 Journeymen to 1 Trainee

**Jurisdiction ( \* denotes special jurisdictional note ) :**

ADAMS, ALLEN, ASHLAND, ASHTABULA, ATHENS, AUGLAIZE, BELMONT, BROWN, BUTLER, CARROLL, CHAMPAIGN, CLARK, CLERMONT, CLINTON, COLUMBIANA, COSHOCTON, CRAWFORD, CUYAHOGA, DARKE, DEFIANCE, DELAWARE, ERIE, FAIRFIELD, FAYETTE, FRANKLIN, FULTON, GALLIA, GEauga, GREENE, GUERNSEY, HAMILTON, HANCOCK, HARDIN, HARRISON, HENRY, HIGHLAND, HOCKING, HOLMES, HURON, JACKSON, JEFFERSON, KNOX, LAKE, LAWRENCE, LICKING, LOGAN, LORAIN, LUCAS, MADISON, MAHONING, MARION, MEDINA, MEIGS, MERCER, MIAMI, MONROE, MONTGOMERY, MORGAN, MORROW, MUSKINGUM, NOBLE, OTTAWA, PAULDING, PERRY, PICKAWAY, PIKE, PORTAGE, PREBLE, PUTNAM, RICHLAND, ROSS, SANDUSKY, SCIOTO, SENECA, SHELBY, STARK, SUMMIT, TRUMBULL, TUSCARAWAS, UNION, VAN WERT, VINTON, WARREN, WASHINGTON, WAYNE, WILLIAMS, WOOD, WYANDOT

**Special Jurisdictional Note :** Industrial Dock and Door is the installation of overhead doors, roll up doors and dock leveling equipment

**Details :**

10/27/10 New Contract jc

# Prevailing Wage Rate

## Skilled Crafts

Name of Union: Cement Mason Bricklayer Local 97 HevHwy A

Change # : LCN01-2020fbHvyHwy

Craft : Bricklayer Effective Date : 06/01/2020 Last Posted : 05/21/2020

	BHR		Fringe Benefit Payments					Irrevocable Fund		Total PWR	Overtime Rate	
			H&W	Pension	App Tr.	Vac.	Annuity	Other	LECET (*)			MISC (*)
Classification												
Cement Mason Bricklayer Sewer Water Works A	\$29.96		\$9.50	\$6.77	\$0.47	\$0.00	\$0.00	\$0.00	\$0.00	\$0.00	\$46.70	\$61.68
Apprentice	Percent											
1st year	50.00	\$14.98	\$9.50	\$6.77	\$0.47	\$0.00	\$0.00	\$0.00	\$0.00	\$0.00	\$31.72	\$39.21
2nd year	70.00	\$20.97	\$9.50	\$6.77	\$0.47	\$0.00	\$0.00	\$0.00	\$0.00	\$0.00	\$37.71	\$48.20
3rd year	90.00	\$26.96	\$9.50	\$6.77	\$0.47	\$0.00	\$0.00	\$0.00	\$0.00	\$0.00	\$43.70	\$57.19

**Special Calculation Note : NOT FOR BUILDING CONSTRUCTION.**

### Ratio :

3 Journeymen to 1 Apprentice  
 6 Journeymen to 2 Apprentice  
 9 Journeymen to 3 Apprentice  
 12 Journeymen to 4 Apprentice  
 15 Journeymen to 5 Apprentice

### Jurisdiction ( \* denotes special jurisdictional note ) :

ADAMS, ALLEN, ASHLAND, ASHTABULA, ATHENS, AUGLAIZE, BELMONT, BROWN, BUTLER, CARROLL, CHAMPAIGN, CLARK, CLERMONT, CLINTON, COLUMBIANA, COSHOCTON, CRAWFORD, CUYAHOGA, DARKE, DEFIANCE, DELAWARE, ERIE, FAIRFIELD, FAYETTE, FRANKLIN, FULTON, GALLIA, GEAUGA, GREENE, GUERNSEY, HAMILTON, HANCOCK, HARDIN, HARRISON, HENRY, HIGHLAND, HOCKING, HOLMES, HURON, JACKSON, JEFFERSON, KNOX, LAKE, LAWRENCE, LICKING, LOGAN, LORAIN, LUCAS, MADISON, MAHONING, MARION, MEDINA, MEIGS, MERCER, MIAMI, MONROE, MONTGOMERY, MORGAN, MORROW, MUSKINGUM, NOBLE, OTTAWA, PAULDING, PERRY, PICKAWAY, PIKE, PORTAGE, PREBLE, PUTNAM, RICHLAND, ROSS, SANDUSKY, SCIOTO, SENECA, SHELBY, STARK, SUMMIT, TRUMBULL, TUSCARAWAS, UNION, VAN WERT, VINTON, WARREN, WASHINGTON, WAYNE

**Special Jurisdictional Note :****Details :**

(A) Highway Construction, Sewer, Waterworks And Utility Construction, Industrial & Building Site Heavy Construction, Airport Construction Or Railroad Construction Work.

(B) Power Plant, Tunnels, Amusement Park, Athletic Stadium Site Work ,Pollution Control,Sewer Plant, Waste Plant, & Water Treatment Facilities, Construction.

# Prevailing Wage Rate Skilled Crafts

**Name of Union: Cement Mason Bricklayer Local 97 HevHwy B**

**Change # : LCN01-2020fbHvyHwy**

**Craft : Bricklayer Effective Date : 06/01/2020 Last Posted : 05/21/2020**

	BHR		Fringe Benefit Payments					Irrevocable Fund		Total PWR	Overtime Rate	
			H&W	Pension	App Tr.	Vac.	Annuity	Other	LECET (*)			MISC (*)
Classification												
Cement Mason Bricklayer Power Plants Tunnels Amusement Parks B	\$30.95		\$9.50	\$6.77	\$0.48	\$0.00	\$0.00	\$0.00	\$0.00	\$0.00	\$47.70	\$63.17
Apprentice	Percent											
1st year	50.00	\$15.48	\$9.50	\$6.77	\$0.48	\$0.00	\$0.00	\$0.00	\$0.00	\$0.00	\$32.23	\$39.96
2nd year	70.00	\$21.66	\$9.50	\$6.77	\$0.48	\$0.00	\$0.00	\$0.00	\$0.00	\$0.00	\$38.42	\$49.25
3rd year	90.00	\$27.85	\$9.50	\$6.77	\$0.48	\$0.00	\$0.00	\$0.00	\$0.00	\$0.00	\$44.60	\$58.53

**Special Calculation Note : NOT FOR BUILDING CONSTRUCTION.**

**Ratio :**

- 3 Journeymen to 1 Apprentice
- 6 Journeymen to 2 Apprentice
- 9 Journeymen to 2 Apprentice
- 12 Journeymen to 4 Apprentice
- 15 Journeymen to 5 Apprentice

**Jurisdiction ( \* denotes special jurisdictional note ) :**

ADAMS, ALLEN, ASHLAND, ASHTABULA, ATHENS, AUGLAIZE, BELMONT, BROWN, BUTLER, CARROLL, CHAMPAIGN, CLARK, CLERMONT, CLINTON, COLUMBIANA, COSHOCTON, CRAWFORD, CUYAHOGA, DARKE, DEFIANCE, DELAWARE, ERIE, FAIRFIELD, FAYETTE, FRANKLIN, FULTON, GALLIA, GEAUGA, GREENE, GUERNSEY, HAMILTON, HANCOCK, HARDIN, HARRISON, HENRY, HIGHLAND, HOCKING, HOLMES, HURON, JACKSON, JEFFERSON, KNOX, LAKE, LAWRENCE, LICKING, LOGAN, LORAIN, LUCAS, MADISON, MAHONING, MARION, MEDINA, MEIGS, MERCER, MIAMI, MONROE, MONTGOMERY, MORGAN, MORROW, MUSKINGUM, NOBLE, OTTAWA, PAULDING, PERRY, PICKAWAY, PIKE, PORTAGE, PREBLE, PUTNAM, RICHLAND, ROSS, SANDUSKY, SCIOTO, SENECA, SHELBY, STARK, SUMMIT,

TRUMBULL, TUSCARAWAS, UNION, VAN WERT,  
VINTON, WARREN, WASHINGTON, WAYNE

**Special Jurisdictional Note :**

**Details :**

(A) Highway Construction, Sewer, Waterworks And Utility Construction, Industrial & Building Site Heavy Construction, Airport Construction Or Railroad Construction Work.

(B) Power Plant, Tunnels, Amusement Park, Athletic Stadium Site Work ,Pollution Control,Sewer Plant, Waste Plant, & Water Treatment Facilities, Construction.

# Prevailing Wage Rate Skilled Crafts

Name of Union: Cement Mason Local 132 (Cincinnati)

Change # : LCN01-2019fbLoc132

Craft : Cement Effective Date : 06/05/2019 Last Posted : 06/05/2019

	BHR		Fringe Benefit Payments					Irrevocable Fund		Total PWR	Overtime Rate	
			H&W	Pension	App Tr.	Vac.	Annuity	Other	LECET (*)	MISC (*)		
<b>Classification</b>												
Cement Mason	\$24.50		\$6.70	\$6.50	\$0.60	\$0.00	\$0.80	\$0.00	\$0.00	\$0.00	\$39.10	\$51.35
<b>Apprentice Percent</b>												
1st yr	70.00	\$17.15	\$6.70	\$6.50	\$0.60	\$0.00	\$0.80	\$0.00	\$0.00	\$0.00	\$31.75	\$40.32
2nd yr	80.00	\$19.60	\$6.70	\$6.50	\$0.60	\$0.00	\$0.80	\$0.00	\$0.00	\$0.00	\$34.20	\$44.00
3rd yr	90.00	\$22.05	\$6.70	\$6.50	\$0.60	\$0.00	\$0.80	\$0.00	\$0.00	\$0.00	\$36.65	\$47.68

**Special Calculation Note :** No special calculations for this skilled craft wage rate are required at this time.

**Ratio :**

- 1 Journeymen to 1 Apprentice
- 4 Journeymen to 2 Apprentice
- 7 Journeymen to 3 Apprentice
- 10 Journeymen to 4 Apprentice

**Jurisdiction ( \* denotes special jurisdictional note ) :**

BROWN, BUTLER, CLERMONT, HAMILTON,  
HIGHLAND, WARREN

**Special Jurisdictional Note :**

**Details :**

- \*Cement Masons working on silo & slip form work shall receive \$.50 per hour over Journeyman scale.
- \*Cement Masons working on swinging scaffolds shall receive \$.50 per hour over Journeyman scale.
- \*Cement Masons working on high lifts from 20' and above shall receive \$.50 per hour over Journeyman scale.



# Prevailing Wage Rate Skilled Crafts

Name of Union: Cement Mason Statewide HevHwy Exhibit A District II

Change # : LCN01-2020fbCementHevHwy

Craft : Cement Mason Effective Date : 05/01/2020 Last Posted : 04/30/2020

	BHR		Fringe Benefit Payments						Irrevocable Fund		Total PWR	Overtime Rate
			H&W	Pension	App Tr.	Vac.	Annuity	Other	LECET (*)	MISC (*)		
<b>Classification</b>												
Cement Mason	\$30.11		\$8.25	\$7.15	\$0.65	\$0.00	\$2.25	\$0.00	\$0.00	\$0.00	\$48.41	\$63.46
<b>Apprentice</b>	<b>Percent</b>											
1st Year	70.00	\$21.08	\$8.25	\$7.15	\$0.65	\$0.00	\$2.25	\$0.00	\$0.00	\$0.00	\$39.38	\$49.92
2nd Year	80.00	\$24.09	\$8.25	\$7.15	\$0.65	\$0.00	\$2.25	\$0.00	\$0.00	\$0.00	\$42.39	\$54.43
3rd Year	90.00	\$27.10	\$8.25	\$7.15	\$0.65	\$0.00	\$2.25	\$0.00	\$0.00	\$0.00	\$45.40	\$58.95

**Special Calculation Note :** No special calculations for this skilled craft wage rate are required at this time.

**Ratio :**

1 Journeymen to 1 Apprentice  
2 to 1 thereafter

**Jurisdiction ( \* denotes special jurisdictional note ) :**

BROWN, BUTLER, CLERMONT, COLUMBIANA, DEFIANCE, ERIE, HAMILTON, HIGHLAND, HURON, LORAIN, MAHONING, MEDINA, OTTAWA, PAULDING, PORTAGE, SANDUSKY, SENECA, STARK, SUMMIT, TRUMBULL, WARREN, WILLIAMS

**Special Jurisdictional Note :** (A) Highway Construction, Sewer, Waterworks And Utility Construction, Industrial & Building Site, Heavy Construction, Airport Construction Or Railroad Construction Work.

**Details :**

# Prevailing Wage Rate Skilled Crafts

Name of Union: Cement Mason Statewide HevHwy Exhibit B District II

Change # : LCN01-2019fbCementHevHwy

Craft : Cement Mason Effective Date : 05/01/2020 Last Posted : 04/30/2020

	BHR		Fringe Benefit Payments						Irrevocable Fund		Total PWR	Overtime Rate
			H&W	Pension	App Tr.	Vac.	Annuity	Other	LECET (*)	MISC (*)		
<b>Classification</b>												
Cement Mason	\$30.98		\$8.25	\$7.15	\$0.65	\$0.00	\$2.25	\$0.00	\$0.00	\$0.00	\$49.28	\$64.77
<b>Apprentice</b>	<b>Percent</b>											
1st Year	70.00	\$21.69	\$8.25	\$7.15	\$0.65	\$0.00	\$2.25	\$0.00	\$0.00	\$0.00	\$39.99	\$50.83
2nd Year	80.00	\$24.78	\$8.25	\$7.15	\$0.65	\$0.00	\$2.25	\$0.00	\$0.00	\$0.00	\$43.08	\$55.48
3rd Year	90.00	\$27.88	\$8.25	\$7.15	\$0.65	\$0.00	\$2.25	\$0.00	\$0.00	\$0.00	\$46.18	\$60.12

**Special Calculation Note :** No special calculations for this skilled craft wage rate are required at this time.

**Ratio :**

1 Journeymen to 1 Apprentice  
2 to 1 thereafter

**Jurisdiction ( \* denotes special jurisdictional note ) :**

BROWN, BUTLER, CLERMONT, COLUMBIANA, DEFIANCE, ERIE, HAMILTON, HIGHLAND, HURON, LORAIN, MAHONING, MEDINA, OTTAWA, PAULDING, PORTAGE, SANDUSKY, SENECA, STARK, SUMMIT, TRUMBULL, WARREN, WILLIAMS

**Special Jurisdictional Note :** (B) Power Plant, Tunnels, Amusement Park, Athletic Stadium Site Work ,Pollution Control,Sewer Plant, Waste Plant, & Water Treatment Facilities, Construction.

**Details :**

# Prevailing Wage Rate Skilled Crafts

Name of Union: Electrical Local 71 High Tension Pipe Type Cable

Change # : LCN01-2019fbLoc7

Craft : Lineman Effective Date : 04/24/2019 Last Posted : 04/24/2019

Classification	BHR		Fringe Benefit Payments					Irrevocable Fund		Total PWR	Overtime Rate
			H&W	Pension	App Tr.	Vac.	Annuity	Other	LECET (*)		
Electrical Lineman	\$43.48	\$6.00	\$1.30	\$0.43	\$0.00	\$10.00	\$0.35	\$0.00	\$0.00	\$61.56	\$83.30
Certified Lineman Welder	\$43.48	\$6.00	\$1.30	\$0.43	\$0.00	\$10.00	\$0.35	\$0.00	\$0.00	\$61.56	\$83.30
Certified Cable Splicer	\$43.48	\$6.00	\$1.30	\$0.43	\$0.00	\$10.00	\$0.35	\$0.00	\$0.00	\$61.56	\$83.30
Operator A	\$39.02	\$6.00	\$1.17	\$0.39	\$0.00	\$8.97	\$0.35	\$0.00	\$0.00	\$55.90	\$75.41
Operator B	\$34.60	\$6.00	\$1.04	\$0.35	\$0.00	\$7.96	\$0.35	\$0.00	\$0.00	\$50.30	\$67.60
Operator C	\$27.93	\$6.00	\$0.84	\$0.28	\$0.00	\$6.42	\$0.35	\$0.00	\$0.00	\$41.82	\$55.79
Groundman 0-12 months Exp	\$21.74	\$6.00	\$0.65	\$0.22	\$0.00	\$5.00	\$0.35	\$0.00	\$0.00	\$33.96	\$44.83
Groundman 0-12 months Exp w/CDL	\$23.91	\$6.00	\$0.72	\$0.24	\$0.00	\$5.50	\$0.35	\$0.00	\$0.00	\$36.72	\$48.68
Groundman 1 yr or more	\$23.91	\$6.00	\$0.72	\$0.24	\$0.00	\$5.50	\$0.35	\$0.00	\$0.00	\$36.72	\$48.68
Groundman 1 yr or more w/CDL	\$28.26	\$6.00	\$0.85	\$0.28	\$0.00	\$6.50	\$0.35	\$0.00	\$0.00	\$42.24	\$56.37
Equipment Mechanic A	\$34.60	\$6.00	\$1.04	\$0.35	\$0.00	\$7.96	\$0.35	\$0.00	\$0.00	\$50.30	\$67.60
Equipment Mechanic B	\$31.26	\$6.00	\$0.94	\$0.31	\$0.00	\$7.19	\$0.35	\$0.00	\$0.00	\$46.05	\$61.68
Equipment Mechanic C	\$27.93	\$6.00	\$0.84	\$0.28	\$0.00	\$6.42	\$0.35	\$0.00	\$0.00	\$41.82	\$55.79
X-Ray Technician	\$43.48	\$6.00	\$1.30	\$0.43	\$0.00	\$10.00	\$0.35	\$0.00	\$0.00	\$61.56	\$83.30
<b>Apprentice</b>	<b>Percent</b>										
1st 1000 hrs	60.00	\$26.09	\$6.00	\$0.78	\$0.26	\$0.00	\$6.00	\$0.35	\$0.00	\$39.48	\$52.52

2nd 1000 hrs	65.00	\$28.26	\$6.00	\$0.85	\$0.28	\$0.00	\$6.50	\$0.35	\$0.00	\$0.00	\$42.24	\$56.37
3rd 1000 hrs	70.00	\$30.44	\$6.00	\$0.91	\$0.30	\$0.00	\$7.00	\$0.35	\$0.00	\$0.00	\$45.00	\$60.21
4th 1000 hrs	75.00	\$32.61	\$6.00	\$0.98	\$0.33	\$0.00	\$7.50	\$0.35	\$0.00	\$0.00	\$47.77	\$64.07
5th 1000 hrs	80.00	\$34.78	\$6.00	\$1.04	\$0.35	\$0.00	\$8.00	\$0.35	\$0.00	\$0.00	\$50.52	\$67.92
6th 1000 hrs	85.00	\$36.96	\$6.00	\$1.11	\$0.37	\$0.00	\$8.50	\$0.35	\$0.00	\$0.00	\$53.29	\$71.77
7th 1000 hrs	90.00	\$39.13	\$6.00	\$1.17	\$0.39	\$0.00	\$9.00	\$0.35	\$0.00	\$0.00	\$56.04	\$75.61

**Special Calculation Note :** Other is Health Retirement Account

**Operator "A"**

John Henry Rock Drill, D-6 (or equivalent) and above, Trackhoe Digger, (320 Track excavator), Cranes (greater than 25 tons and less than 45 tons).

**Operator "B"**

Cranes (greater than 6 tons and up to 25 tons), Backhoes, Road Tractor, Dozer up to D-5, Pressure Digger- wheeled or tracked, all Tension wire Stringing equipment.

**Operator "C"**

Trench, Backhoe, Riding type vibratory Compactor, Ground Rod Driver, Boom Truck (6 ton & below), Skid Steer Loaders, Material Handler.

\*All Operators of cranes 45 ton or larger shall be paid the journeyman rate of pay. \$0.30 is for Health Retirement Account.

**Ratio :**

1 Journeyman to 1 Apprentice

**Jurisdiction ( \* denotes special jurisdictional note ) :**

ADAMS, ASHLAND, ASHTABULA, ATHENS, AUGLAIZE, BELMONT, BROWN, BUTLER, CARROLL, CHAMPAIGN, CLARK, CLERMONT, CLINTON, COLUMBIANA, COSHOCTON, CRAWFORD, CUYAHOGA, DARKE, DELAWARE, FAIRFIELD, FAYETTE, FRANKLIN, GALLIA, GEauga, GREENE, GUERNSEY, HAMILTON, HARRISON, HIGHLAND, HOCKING, HOLMES, JACKSON, JEFFERSON, KNOX, LAKE, LAWRENCE, LICKING, LOGAN, LORAIN, MADISON, MAHONING, MARION, MEDINA, MEIGS, MERCER, MIAMI, MONROE, MONTGOMERY, MORGAN, MORROW, MUSKINGUM, NOBLE, PERRY, PICKAWAY, PIKE, PORTAGE, PREBLE, RICHLAND, ROSS, SCIOTO, SHELBY, STARK, SUMMIT, TRUMBULL, TUSCARAWAS, UNION, VINTON, WARREN, WASHINGTON, WAYNE

**Special Jurisdictional Note :**

**Details :**

Heli - Arc Welding will be paid \$.30 above Journeyman rate. Additional compensation of 10% over the Journeyman Lineman and Journeyman Technician for performing work on structures outside of buildings such as water towers, smoke stacks, radio and television towers, more than 75' above the ground.

# Prevailing Wage Rate Skilled Crafts

Name of Union: Electrical Local 71 Outside Cincinnati

Change # : LCN01-2020fbLoc71Cincinnati

Craft : Lineman Effective Date : 11/04/2020 Last Posted : 11/04/2020

	BHR	Fringe Benefit Payments						Irrevocable Fund		Total PWR	Overtime Rate
		H&W	Pension	App Tr.	Vac.	Annuity	Other	LECET (*)	MISC (*)		
Classification											
Electrical Lineman	\$39.23	\$6.50	\$1.18	\$0.39	\$0.00	\$7.06	\$0.06	\$0.00	\$0.00	\$54.42	\$74.04
Traffic Signal & Lighting Journeyman	\$37.73	\$6.50	\$1.13	\$0.38	\$0.00	\$6.79	\$0.06	\$0.00	\$0.00	\$52.59	\$71.45
Equipment Operator	\$34.46	\$6.50	\$1.03	\$0.34	\$0.00	\$6.20	\$0.06	\$0.00	\$0.00	\$48.59	\$65.82
Groundman 0-12 months (W/O CDL)	\$20.90	\$6.50	\$0.63	\$0.21	\$0.00	\$3.76	\$0.06	\$0.00	\$0.00	\$32.06	\$42.51
Groundman 0-21 Months (W/CDL)	\$22.83	\$6.50	\$0.68	\$0.23	\$0.00	\$4.11	\$0.06	\$0.00	\$0.00	\$34.41	\$45.82
Groundman 1 Year or More (W/CDL)	\$24.77	\$6.50	\$0.74	\$0.25	\$0.00	\$4.46	\$0.06	\$0.00	\$0.00	\$36.78	\$49.17
Traffic Signal Apprentices											
1st 1,000 hours	\$22.64	\$6.50	\$0.68	\$0.23	\$0.00	\$4.08	\$0.06	\$0.00	\$0.00	\$34.19	\$45.51
2nd 1,000 hours	\$24.52	\$6.50	\$0.74	\$0.25	\$0.00	\$4.41	\$0.06	\$0.00	\$0.00	\$36.48	\$48.74
3rd 1,000 hours	\$26.41	\$6.50	\$0.79	\$0.26	\$0.00	\$4.75	\$0.06	\$0.00	\$0.00	\$38.77	\$51.98
4th 1,000 hours	\$28.30	\$6.50	\$0.85	\$0.28	\$0.00	\$5.09	\$0.06	\$0.00	\$0.00	\$41.08	\$55.23
5th 1,000 hours	\$30.18	\$6.50	\$0.91	\$0.30	\$0.00	\$5.43	\$0.06	\$0.00	\$0.00	\$43.38	\$58.47
6th 1,000 hours	\$33.96	\$6.50	\$1.02	\$0.34	\$0.00	\$6.11	\$0.06	\$0.00	\$0.00	\$47.99	\$64.97

Apprentice Lineman	Percent												
1st 1,000 Hours	60.00	\$23.54	\$6.50	\$0.71	\$0.24	\$0.00	\$4.24	\$0.06	\$0.00	\$0.00	\$35.29	\$47.06	
2nd 1,000 Hours	65.00	\$25.50	\$6.50	\$0.77	\$0.26	\$0.00	\$4.59	\$0.06	\$0.00	\$0.00	\$37.68	\$50.43	
3rd 1,000 Hours	70.00	\$27.46	\$6.50	\$0.82	\$0.27	\$0.00	\$4.94	\$0.06	\$0.00	\$0.00	\$40.05	\$53.78	
4th 1,000 Hours	75.00	\$29.42	\$6.50	\$0.88	\$0.29	\$0.00	\$5.30	\$0.06	\$0.00	\$0.00	\$42.45	\$57.16	
5th 1,000 Hours	80.00	\$31.38	\$6.50	\$0.94	\$0.31	\$0.00	\$5.65	\$0.06	\$0.00	\$0.00	\$44.84	\$60.54	
6th 1,000 Hours	85.00	\$33.35	\$6.50	\$1.00	\$0.33	\$0.00	\$6.00	\$0.06	\$0.00	\$0.00	\$47.24	\$63.91	
7th 1,000 Hours	90.00	\$35.31	\$6.50	\$1.06	\$0.35	\$0.00	\$6.36	\$0.06	\$0.00	\$0.00	\$49.64	\$67.29	

**Special Calculation Note :** Other is Safety & Education Fund.

**Ratio :**

1 Journeymen to 1 Apprentice

**Jurisdiction ( \* denotes special jurisdictional note ) :**

BROWN, BUTLER, CLERMONT, HAMILTON, WARREN

**Special Jurisdictional Note :**

**Details :**

A groundman when directed shall assist a Journeyman in the performance of his/her work on the ground, including the use of hand tools. A Groundman under no circumstances shall climb poles, towers, ladders, or work from an elevated platform or bucket truck.

No more than three (3) Groundmen shall work alone. Jobs with more than three Groundmen shall be supervised by a Groundcrew Foreman, Journeyman Lineman, Journeyman Traffic Signal Technician or an Equipment Operator.

Scope of Work: installation and maintenance of highway and street lighting, highway and street sign lighting, electronic message boards and traffic control systems, camera systems, traffic signal work, substation and line construction including overhead and underground projects for private and industrial work as in accordance with the IBEW Constitution. This Agreement includes the operation of all tools and equipment necessary for the installation of the above projects.

# Prevailing Wage Rate Skilled Crafts

Name of Union: Electrical Local 71 Outside Utility Power

Change # : LCN01-2019fbLoc7

Craft : Lineman Effective Date : 04/24/2019 Last Posted : 04/24/2019

Classification	BHR	Fringe Benefit Payments						Irrevocable Fund		Total PWR	Overtime Rate	
		H&W	Pension	App Tr.	Vac.	Annuity	Other	LECET (*)	MISC (*)			
Electrical Lineman	\$41.22	\$6.00	\$1.24	\$0.41	\$0.00	\$9.48	\$0.35	\$0.00	\$0.00	\$58.70	\$79.31	
Substation Technician	\$41.22	\$6.00	\$1.24	\$0.41	\$0.00	\$9.48	\$0.35	\$0.00	\$0.00	\$58.70	\$79.31	
Cable Splicer	\$43.14	\$6.00	\$1.29	\$0.43	\$0.00	\$9.92	\$0.35	\$0.00	\$0.00	\$61.13	\$82.70	
Operator A	\$37.00	\$6.00	\$1.11	\$0.37	\$0.00	\$8.51	\$0.35	\$0.00	\$0.00	\$53.34	\$71.84	
Operator B	\$32.78	\$6.00	\$0.98	\$0.33	\$0.00	\$7.54	\$0.35	\$0.00	\$0.00	\$47.98	\$64.37	
Operator C	\$26.44	\$6.00	\$0.79	\$0.26	\$0.00	\$6.08	\$0.35	\$0.00	\$0.00	\$39.92	\$53.14	
Groundman 0-12 months Exp	\$20.61	\$6.00	\$0.62	\$0.21	\$0.00	\$4.74	\$0.35	\$0.00	\$0.00	\$32.53	\$42.84	
Groundman 0-12 months Exp w/CDL	\$22.67	\$6.00	\$0.68	\$0.23	\$0.00	\$5.21	\$0.35	\$0.00	\$0.00	\$35.14	\$46.48	
Groundman 1 yr or more	\$22.67	\$6.00	\$0.68	\$0.23	\$0.00	\$5.21	\$0.35	\$0.00	\$0.00	\$35.14	\$46.48	
Groundman 1 yr or more w/CDL	\$26.80	\$6.00	\$0.80	\$0.27	\$0.00	\$6.16	\$0.35	\$0.00	\$0.00	\$40.38	\$53.78	
Equipment Mechanic A	\$32.78	\$6.00	\$0.98	\$0.33	\$0.00	\$7.54	\$0.35	\$0.00	\$0.00	\$47.98	\$64.37	
Equipment Mechanic B	\$29.62	\$6.00	\$0.89	\$0.30	\$0.00	\$6.81	\$0.35	\$0.00	\$0.00	\$43.97	\$58.78	
Equipment Mechanic C	\$26.44	\$6.00	\$0.79	\$0.26	\$0.00	\$6.08	\$0.35	\$0.00	\$0.00	\$39.92	\$53.14	
Line Truck w/ugger	\$29.17	\$6.00	\$0.88	\$0.29	\$0.00	\$6.71	\$0.35	\$0.00	\$0.00	\$43.40	\$57.99	
<b>Apprentice</b>	<b>Percent</b>											
1st 1000 hrs	60.00	\$24.73	\$6.00	\$0.74	\$0.25	\$0.00	\$5.69	\$0.35	\$0.00	\$0.00	\$37.76	\$50.13

2nd 1000 hrs	65.00	\$26.79	\$6.00	\$0.80	\$0.27	\$0.00	\$6.16	\$0.35	\$0.00	\$0.00	\$40.37	\$53.77
3rd 1000 hrs	70.00	\$28.85	\$6.00	\$0.87	\$0.29	\$0.00	\$6.64	\$0.35	\$0.00	\$0.00	\$43.00	\$57.43
4th 1000 hrs	75.00	\$30.91	\$6.00	\$0.93	\$0.31	\$0.00	\$7.11	\$0.35	\$0.00	\$0.00	\$45.62	\$61.07
5th 1000 hrs	80.00	\$32.98	\$6.00	\$0.99	\$0.33	\$0.00	\$7.59	\$0.35	\$0.00	\$0.00	\$48.24	\$64.72
6th 1000 hrs	85.00	\$35.04	\$6.00	\$1.05	\$0.35	\$0.00	\$8.06	\$0.35	\$0.00	\$0.00	\$50.85	\$68.37
7th 1000 hrs	90.00	\$37.10	\$6.00	\$1.11	\$0.37	\$0.00	\$8.53	\$0.35	\$0.00	\$0.00	\$53.46	\$72.01

**Special Calculation Note :** Other is Health Retirement Account

Operator "A"

John Henry Rock Drill, D-6 (or equivalent) and above, Trackhoe Digger, (320 Track excavator), Cranes (greater then 25 tons and less than 45 tons).

Operator "B"

Cranes (greater than 6 tons and up to 25 tons), Backhoes, Road Tractor, Dozer up to D-5, Pressure Digger- wheeled or tracked, all Tension wire Stringing equipment.

Operator "C"

Trench, Backhoe, Riding type vibratory Compactor, Ground Rod Driver, Boom Truck (6 ton & below), Skid Steer Loaders, Material Handler.

**Ratio :**

(1) Journeyman Lineman to (1) Apprentice

**Jurisdiction ( \* denotes special jurisdictional note ) :**

ADAMS, ASHLAND, ASHTABULA, ATHENS, AUGLAIZE, BELMONT, BROWN, BUTLER, CARROLL, CHAMPAIGN, CLARK, CLERMONT, CLINTON, COLUMBIANA, COSHOCTON, CRAWFORD, CUYAHOGA, DARKE, DELAWARE, FAIRFIELD, FAYETTE, FRANKLIN, GALLIA, GEAUGA, GREENE, GUERNSEY, HAMILTON, HARRISON, HIGHLAND, HOCKING, HOLMES, JACKSON, JEFFERSON, KNOX, LAKE, LAWRENCE, LICKING, LOGAN, LORAIN, MADISON, MAHONING, MARION, MEDINA, MEIGS, MERCER, MIAMI, MONROE, MONTGOMERY, MORGAN, MORROW, MUSKINGUM, NOBLE, PERRY, PICKAWAY, PIKE, PORTAGE, PREBLE, RICHLAND, ROSS, SCIOTO, SHELBY, STARK, SUMMIT, TRUMBULL, TUSCARAWAS, UNION, VINTON, WARREN, WASHINGTON, WAYNE

**Special Jurisdictional Note :** 0.30 is for Health Retirement Account.

**Details :**

Heli - Arc Welding will be paid \$.30 above Journeyman rate. Additional compensation of 10% over the Journeyman Lineman and Journeyman Technician for performing work on structures outside of buildings such as water towers, smoke stacks, radio and television towers, more than 75' above the ground.



# Prevailing Wage Rate Skilled Crafts

Name of Union: Electrical Local 71 Voice Data Video Outside

Change # : LCR01-2017fbLoc71VDV

Craft : Voice Data Video Effective Date : 10/18/2017 Last Posted : 10/18/2017

	BHR	Fringe Benefit Payments						Irrevocable Fund		Total PWR	Overtime Rate
		H&W	Pension	App Tr.	Vac.	Annuity	Other	LECET (*)	MISC (*)		
Classification											
Electrical Installer Technician I	\$23.46	\$5.50	\$0.70	\$0.00	\$0.00	\$0.30	\$0.00	\$0.00	\$0.00	\$29.96	\$41.69
Installer Technician II	\$22.37	\$5.50	\$0.67	\$0.00	\$0.00	\$0.30	\$0.00	\$0.00	\$0.00	\$28.84	\$40.03
Equipment Operator I	\$22.37	\$5.50	\$0.67	\$0.00	\$0.00	\$0.30	\$0.00	\$0.00	\$0.00	\$28.84	\$40.03
Equipment Operator II	\$18.43	\$5.50	\$0.55	\$0.00	\$0.00	\$0.30	\$0.00	\$0.00	\$0.00	\$24.78	\$33.99
Installer /Repair Outside	\$22.37	\$5.50	\$0.67	\$0.00	\$0.00	\$0.30	\$0.00	\$0.00	\$0.00	\$28.84	\$40.03
Ground Driver W/CDL	\$15.83	\$5.50	\$0.47	\$0.00	\$0.00	\$0.30	\$0.00	\$0.00	\$0.00	\$22.10	\$30.01
Groundman	\$13.24	\$5.50	\$0.40	\$0.00	\$0.00	\$0.30	\$0.00	\$0.00	\$0.00	\$19.44	\$26.06
Cable Splicer	\$23.46	\$5.50	\$0.70	\$0.00	\$0.00	\$0.30	\$0.00	\$0.00	\$0.00	\$29.96	\$41.69

**Special Calculation Note :**

**Ratio :**

**Jurisdiction ( \* denotes special jurisdictional note ) :**

ADAMS, ASHLAND, ASHTABULA, ATHENS, AUGLAIZE, BELMONT, BROWN, BUTLER, CARROLL, CHAMPAIGN, CLARK, CLERMONT, CLINTON, COLUMBIANA, COSHOCTON, CRAWFORD, CUYAHOGA, DARKE, DELAWARE, FAIRFIELD, FAYETTE, FRANKLIN, GALLIA, GEauga, GREENE, GUERNSEY, HAMILTON, HARRISON, HIGHLAND, HOCKING, HOLMES, JACKSON, JEFFERSON, KNOX, LAKE, LAWRENCE, LICKING, LOGAN, LORAIN, MADISON, MAHONING, MARION, MEDINA, MEIGS, MERCER, MIAMI, MONROE, MONTGOMERY, MORGAN, MORROW, MUSKINGUM, NOBLE, PERRY, PICKAWAY, PIKE, PORTAGE, PREBLE, RICHLAND, ROSS, SCIOTO, SHELBY, STARK, SUMMIT,

TRUMBULL, TUSCARAWAS, UNION, VINTON,  
WARREN, WASHINGTON, WAYNE

**Special Jurisdictional Note :**

**Details :**

**Cable Splicer:** Inspect and test lines or cables, analyze results, and evaluate transmission characteristics. Cover conductors with insulation or seal splices with moisture-proof covering. Install, splice, test, and repair cables using tools or mechanical equipment. This will include the splicing of fiber.

**Journeyman Technician I:** Must know all aspects of telephone and cable work. This is to include aerial, underground, and manhole work. Must know how to climb and run bucket. Must have all the tools required to perform these tasks. Must be able to be responsible for the safety of the crew at all times. Must also have CDL license and have at least 5 years experience.

**Installer/Repairman:** Perform tasks of repairing, installing, and testing phone and CATV services.

**Technician II:** Have at least three years of telephone and CATV experience. Must have the knowledge of underground, aerial, and manhole work. Must be able to climb and operate bucket. Must have CDL. Must have all tools needed to perform these tasks.

**Equipment Operator I:** Able to operate a digger derrick or bucket truck. Have at least 5 years of experience and must have a valid CDL license.

**Equipment Operator II:** Able to operate a digger derrick or bucket truck. Have at least 3 years of experience and must have a valid CDL license.

**Groundman W/CDL:** Must have a valid CDL license and be able to perform tasks such as: climbing poles, pulling downguys, making up material, and getting appropriate tools for the job. Must have at least 5 year's experience.

**Groundman:** Perform tasks such as: climbing poles, pulling downguys, making up material, and getting appropriate tools for the job. Experience 0-5 years.

# Prevailing Wage Rate Skilled Crafts

Name of Union: Electrical Local 82 Inside

Change # : LCN01-2020fbLoc82in

Craft : Electrical Effective Date : 11/30/2020 Last Posted : 11/18/2020

	BHR		Fringe Benefit Payments					Irrevocable Fund		Total PWR	Overtime Rate	
			H&W	Pension	App Tr.	Vac.	Annuity	Other	LECET (*)			MISC (*)
Classification												
Electrician	\$32.15		\$7.45	\$9.31	\$0.55	\$0.00	\$3.20	\$0.00	\$0.00	\$0.00	\$52.66	\$68.73
<b>Apprentice</b>	<b>Percent</b>											
1st period 0 - 1000 hrs	42.00	\$13.50	\$4.07	\$0.61	\$0.23	\$0.00	\$0.00	\$0.00	\$0.00	\$0.00	\$18.41	\$25.16
2nd period 1001-2000 hrs	42.00	\$13.50	\$4.07	\$0.61	\$0.23	\$0.00	\$0.00	\$0.00	\$0.00	\$0.00	\$18.41	\$25.16
3rd period 2001-3500 hrs	47.00	\$15.11	\$6.92	\$4.37	\$0.26	\$0.00	\$1.50	\$0.00	\$0.00	\$0.00	\$28.16	\$35.72
4th period 3501-5000 hrs	52.00	\$16.72	\$6.97	\$4.84	\$0.28	\$0.00	\$1.66	\$0.00	\$0.00	\$0.00	\$30.47	\$38.83
5th period 5001-6500 hrs	62.00	\$19.93	\$7.07	\$5.78	\$0.34	\$0.00	\$1.98	\$0.00	\$0.00	\$0.00	\$35.10	\$45.07
6th period 6501-8000 hrs	77.00	\$24.76	\$7.22	\$7.17	\$0.42	\$0.00	\$2.46	\$0.00	\$0.00	\$0.00	\$42.03	\$54.40

**Special Calculation Note :** No special calculations for this skilled craft wage rate are required at this time.

## Ratio :

1 to 3 Journeymen to 3 Apprentices  
4 to 6 Journeymen to 6 Apprentices  
per job site

## Jurisdiction ( \* denotes special jurisdictional note ) :

CLINTON, DARKE, GREENE, MIAMI,  
MONTGOMERY, PREBLE, WARREN\*

**Special Jurisdictional Note :** The following townships in Warren County are included: Clearcreek, Franklin and Wayne.

## Details :

Only correction made on 6-19-19 was the 5th year Apprentice fb.

# Prevailing Wage Rate Skilled Crafts

Name of Union: Electrical Local 82 Lightning Rod

Change # : LCR01-2020fbLoc82

Craft : Electrical Effective Date : 11/30/2020 Last Posted : 11/25/2020

	BHR	Fringe Benefit Payments						Irrevocable Fund		Total PWR	Overtime Rate
		H&W	Pension	App Tr.	Vac.	Annuity	Other	LECET (*)	MISC (*)		
<b>Classification</b>											
Electrical Lightning Rod Technician	\$30.79	\$7.45	\$9.27	\$0.00	\$0.00	\$3.20	\$0.00	\$0.00	\$0.00	\$50.71	\$66.10

**Special Calculation Note** : No Apprentice approved by OSAC.

**Ratio :**

**Jurisdiction ( \* denotes special jurisdictional note ) :**  
CLINTON, DARKE, GREENE, MIAMI,  
MONTGOMERY, PREBLE, WARREN\*

**Special Jurisdictional Note** : The following townships in Warren County are included: (Clearcreek, Franklin and Wayne)

**Details :**

# Prevailing Wage Rate

## Skilled Crafts

Name of Union: Electrical Local 82 Voice Data Video

Change # : LCR01-2020fbLoc82VDV

Craft : Voice Data Video Effective Date : 11/30/2020 Last Posted : 11/18/2020

	BHR	Fringe Benefit Payments						Irrevocable Fund		Total PWR	Overtime Rate
		H&W	Pension	App Tr.	Vac.	Annuity	Other	LECET (*)	MISC (*)		
Classification											
Electrical Installer Technician A	\$25.10	\$6.60	\$0.75	\$0.48	\$0.00	\$4.40	\$0.00	\$0.00	\$0.00	\$37.33	\$49.88
Electrical Installer Technician B	\$23.85	\$6.60	\$0.72	\$0.45	\$0.00	\$4.40	\$0.00	\$0.00	\$0.00	\$36.02	\$47.95
JW Installer Technician	\$22.59	\$6.60	\$0.68	\$0.43	\$0.00	\$4.40	\$0.00	\$0.00	\$0.00	\$34.70	\$46.00
NON BICSI Installer	\$16.32	\$3.00	\$0.49	\$0.31	\$0.00	\$2.00	\$0.00	\$0.00	\$0.00	\$22.12	\$30.28
Apprentice Indentured Before 09-03-2018											
1st Period 0-800 Hrs	\$12.55	\$6.60	\$0.38	\$0.24	\$0.00	\$0.25	\$0.00	\$0.00	\$0.00	\$20.02	\$26.30
2nd Period 801-1600 Hrs	\$12.55	\$6.60	\$0.38	\$0.24	\$0.00	\$0.25	\$0.00	\$0.00	\$0.00	\$20.02	\$26.30
3rd Period 1601-2400 Hrs	\$15.06	\$6.60	\$0.45	\$0.29	\$0.00	\$4.40	\$0.00	\$0.00	\$0.00	\$26.80	\$34.33
4th Period 2401-3200 Hrs	\$16.32	\$6.60	\$0.49	\$0.31	\$0.00	\$4.40	\$0.00	\$0.00	\$0.00	\$28.12	\$36.28
5th Period 3201-4000 Hrs	\$17.57	\$6.60	\$0.53	\$0.33	\$0.00	\$4.40	\$0.00	\$0.00	\$0.00	\$29.43	\$38.21
6th Period 4001 Hours	\$18.83	\$6.60	\$0.56	\$0.36	\$0.00	\$4.40	\$0.00	\$0.00	\$0.00	\$30.75	\$40.17
Cable Puller	\$12.55	\$3.00	\$0.38	\$0.24	\$0.00	\$0.25	\$0.00	\$0.00	\$0.00	\$16.42	\$22.69

Apprentice Indentured After 09-04-2018	Percent												
1st 0-1000 hours	55.00	\$13.81	\$3.00	\$0.41	\$0.26	\$0.00	\$0.25	\$0.00	\$0.00	\$0.00	\$0.00	\$17.73	\$24.63
2nd 1001-2000 hours	55.00	\$13.81	\$3.00	\$0.41	\$0.26	\$0.00	\$0.25	\$0.00	\$0.00	\$0.00	\$0.00	\$17.73	\$24.63
3rd 2001-3000 hours	65.00	\$16.32	\$6.50	\$0.49	\$0.31	\$0.00	\$4.40	\$0.00	\$0.00	\$0.00	\$0.00	\$28.01	\$36.17
4th 3001-4000 hours	65.00	\$16.32	\$6.50	\$0.49	\$0.31	\$0.00	\$4.40	\$0.00	\$0.00	\$0.00	\$0.00	\$28.01	\$36.17
5th 4001-5000 hours	75.00	\$18.83	\$6.53	\$0.56	\$0.36	\$0.00	\$4.40	\$0.00	\$0.00	\$0.00	\$0.00	\$30.68	\$40.09
6th 5001-6000 hours	75.00	\$18.83	\$6.53	\$0.56	\$0.36	\$0.00	\$4.40	\$0.00	\$0.00	\$0.00	\$0.00	\$30.68	\$40.09
7th 6001-7000 hours	80.00	\$20.08	\$6.54	\$0.60	\$0.38	\$0.00	\$4.40	\$0.00	\$0.00	\$0.00	\$0.00	\$32.00	\$42.04
8th 7001 hours	80.00	\$20.08	\$6.54	\$0.60	\$0.38	\$0.00	\$4.40	\$0.00	\$0.00	\$0.00	\$0.00	\$32.00	\$42.04
Cable Puller	50.00	\$12.55	\$3.00	\$0.38	\$0.24	\$0.00	\$0.25	\$0.00	\$0.00	\$0.00	\$0.00	\$16.42	\$22.69

**Special Calculation Note :** No special calculations for this skilled craft wage rate are required at this time.

**Ratio :**

1 Journeymen to 2 Apprentice  
(Indentured After 9-4-2018)

1 Journeymen to 1 Apprentice  
(Indentured Before 9--03-2018)

**Jurisdiction ( \* denotes special jurisdictional note ) :**

CLINTON, DARKE, GREENE, MIAMI,  
MONTGOMERY, PREBLE, WARREN\*

**Special Jurisdictional Note :** The following townships in Warren County are included: (Clearcreek, Franklin and Wayne)

**Details :**

Work covered but not limited to: installation which utilize transmission and/or transference of voice, sound, vision or digital for commercial, education, security and entertainment purposes for the following:

TV monitoring and surveillance, background-foreground music, intercom and telephone interconnect, inventory control systems, microwave transmission, multimedia, multiplex, nurse call system, radio page, school intercom, sound and low voltage master clock systems.

Fire Alarm work is excluded on all new construction sites or wherever the fire alarm system is installed in conduit.

All HVAC control work is not covered by this wage rate but by the Inside Electrical wage rate.

# Prevailing Wage Rate Skilled Crafts

Name of Union: Electrical Local 648 Inside

Change # : LCN01-2019fbLoc648in

Craft : Electrical Effective Date : 09/11/2019 Last Posted : 09/11/2019

	BHR		Fringe Benefit Payments						Irrevocable Fund		Total PWR	Overtime Rate
			H&W	Pension	App Tr.	Vac.	Annuity	Other	LECET (*)	MISC (*)		
<b>Classification</b>												
Electrician	\$30.00		\$7.10	\$8.90	\$0.45	\$0.00	\$2.50	\$0.90	\$0.00	\$0.00	\$49.85	\$64.85
<b>Apprentice</b>												
	<b>Percent</b>											
1st period 0-1000 hrs	45.00	\$13.50	\$4.07	\$0.00	\$0.20	\$0.00	\$2.50	\$0.41	\$0.00	\$0.00	\$20.68	\$27.43
2nd period 1001- 2000 hrs	45.00	\$13.50	\$4.07	\$0.00	\$0.20	\$0.00	\$2.50	\$0.41	\$0.00	\$0.00	\$20.68	\$27.43
3rd period 2001- 3500 hrs	50.00	\$15.00	\$7.10	\$4.45	\$0.23	\$0.00	\$2.50	\$0.45	\$0.00	\$0.00	\$29.73	\$37.23
4th period 3501- 5000 hrs	55.00	\$16.50	\$7.10	\$4.90	\$0.25	\$0.00	\$2.50	\$0.50	\$0.00	\$0.00	\$31.75	\$40.00
5th period 5001- 6500 hrs	62.00	\$18.60	\$7.10	\$5.52	\$0.28	\$0.00	\$2.50	\$0.56	\$0.00	\$0.00	\$34.56	\$43.86
6th period 6501- 8000 hrs	71.00	\$21.30	\$7.10	\$6.32	\$0.32	\$0.00	\$2.50	\$0.64	\$0.00	\$0.00	\$38.18	\$48.83

**Special Calculation Note :** Other is NEBF (National Electrical Benefit Fund.)

**Ratio :**

3 Journeyman to 2 Apprentices or fraction thereof:  
 1-3 Journeymen to 2 Apprentice  
 4-6 Journeymen to 4 Apprentice  
 7-9 Journeymen to 6 Apprentice  
 first person assigned to any job site shall be a journeyman

**Jurisdiction (\* denotes special jurisdictional note) :**

BUTLER, WARREN\*

**Special Jurisdictional Note :** In Warren County the following townships are included: (Deerfield, Hamilton, Harlan, Massie, Salem, Turtle Creek, Union, and Washington)

**Details :**

Electricians while splicing cable shall receive \$.50 an hour above the regular electrical rate.

All work that requires the use of gas masks or respirators, shall be paid 50% above the appropriate rate of pay. Work up to & including 40 feet shall be paid \$.50 over the journeyman rate. All work from a Boatswain Chair, Swinging Scaffold, or Barrel shall be at double the Journeyman rate. Workmen required to work 50 feet or more below the surface of the earth will be paid 50% above the Journeyman rate.

# Prevailing Wage Rate Skilled Crafts

Name of Union: Electrical Local 82 Inside Lt Commercial South West

Change # : LCNO1-2020fbLoc82in

Craft : Electrical Effective Date : 10/21/2020 Last Posted : 10/21/2020

	BHR		Fringe Benefit Payments					Irrevocable Fund		Total PWR	Overtime Rate	
			H&W	Pension	App Tr.	Vac.	Annuity	Other	LECET (*)			MISC (*)
Classification												
Electrician	\$31.15		\$6.15	\$9.03	\$0.67	\$0.00	\$3.20	\$0.00	\$0.00	\$0.00	\$50.20	\$65.77
CE-3 12,001-14,000	\$22.45		\$6.15	\$0.67	\$0.67	\$0.00	\$0.65	\$0.00	\$0.00	\$0.10	\$30.69	\$41.92
CE-2 10,001-12,000 Hrs	\$17.64		\$6.15	\$0.52	\$0.67	\$0.00	\$0.51	\$0.00	\$0.00	\$0.10	\$25.59	\$34.41
CE-1 8,001-10,000 Hrs	\$16.04		\$6.15	\$0.48	\$0.67	\$0.00	\$0.47	\$0.00	\$0.00	\$0.10	\$23.91	\$31.93
CW-4 6,001-8,000 Hrs	\$14.43		\$6.15	\$0.43	\$0.67	\$0.00	\$0.42	\$0.00	\$0.00	\$0.10	\$22.20	\$29.42
CW-3 4,001-6,000 Hrs	\$12.83		\$6.15	\$0.38	\$0.67	\$0.00	\$0.37	\$0.00	\$0.00	\$0.10	\$20.50	\$26.92
CW-2 2,001-4,000 Hrs	\$12.03		\$6.15	\$0.36	\$0.67	\$0.00	\$0.35	\$0.00	\$0.00	\$0.10	\$19.66	\$25.68
CW-1 0-2,000 Hrs	\$11.22		\$6.15	\$0.33	\$0.67	\$0.00	\$0.33	\$0.00	\$0.00	\$0.10	\$18.80	\$24.41
Apprentice	Percent											
1st period 0 - 1000 hrs	42.00	\$13.08	\$3.82	\$0.20	\$0.22	\$0.00	\$0.00	\$0.00	\$0.00	\$0.00	\$17.32	\$23.86
2nd period 1001-2000 hrs	42.00	\$13.08	\$3.82	\$0.20	\$0.22	\$0.00	\$0.00	\$0.00	\$0.00	\$0.00	\$17.32	\$23.86
3rd period 2001-3500 hrs	47.00	\$14.64	\$6.67	\$3.81	\$0.25	\$0.00	\$1.50	\$0.00	\$0.00	\$0.00	\$26.87	\$34.19
4th period 3501-5000 hrs	52.00	\$16.20	\$6.72	\$4.21	\$0.28	\$0.00	\$1.66	\$0.00	\$0.00	\$0.00	\$29.07	\$37.17
5th period 5001-6500	62.00	\$19.31	\$6.82	\$5.02	\$0.33	\$0.00	\$1.98	\$0.00	\$0.00	\$0.00	\$33.46	\$43.12



hrs												
6th period 6501-8000 hrs	77.00	\$23.99	\$7.20	\$6.24	\$0.41	\$0.00	\$2.46	\$0.00	\$0.00	\$0.00	\$40.30	\$52.29

**Special Calculation Note :** No special calculations for this skilled craft wage rate are required at this time.

**Ratio :**

1 to 3 Journeymen to 3 Apprentices  
 4 to 6 Journeymen to 6 Apprentices  
 per job site

**Jurisdiction ( \* denotes special jurisdictional note ) :**

CLINTON, DARKE, GREENE, MIAMI,  
 MONTGOMERY, PREBLE, WARREN\*

**Construction Electrician and Construction Wireman Ratio**

There shall be a minimum ratio of one inside Journeyman to every (4) employees of different classification per jobsite. An inside Journeyman Wireman is required on the project as the fifth (5th) worker or when apprentices are used.

**Special Jurisdictional Note :** The following townships in Warren County are included: Clearcreek, Franklin and Wayne.

The scope of work for the light commercial agreement shall apply to the following facilities not to exceed 200,000 square feet; office buildings, shopping centers, auto sales agencies and garages, churches, funeral homes, nursing homes, hotels, retail and wholesale facilities, small stand-alone manufacturing facilities when free standing and not part of a larger facility (not to exceed 50,000 square fee), solar projects (500 panels or less) unless otherwise covered under the agreement, lighting retrofits (when not associated with remodels involving branch re-circuiting) lighting retrofits shall be defined as the changing of lamps and ballasts in existing light fixtures and shall also include the one for one replacement of existing fixtures, warehouses, gas stations, food service centers, restaurants, entertainment facilities, hospitals, clinics, motels, residential buildings.

**Details :**

# Prevailing Wage Rate Skilled Crafts

Name of Union: Electrical Local 648 Lt Commercial South West

Change # : LCN01-2019fbLoc648in

Craft : Electrical Effective Date : 12/24/2019 Last Posted : 12/24/2019

	BHR		Fringe Benefit Payments					Irrevocable Fund		Total PWR	Overtime Rate	
			H&W	Pension	App Tr.	Vac.	Annuity	Other	LECET (*)			MISC (*)
Classification												
Electrician	\$30.00		\$7.10	\$8.90	\$0.45	\$0.00	\$2.50	\$0.90	\$0.00	\$0.00	\$49.85	\$64.85
CE-3 12,001- 14,000 Hrs	\$22.45		\$6.15	\$0.67	\$0.67	\$0.00	\$0.67	\$0.00	\$0.00	\$0.00	\$30.61	\$41.84
CE-2 10,001- 12,000 Hrs	\$17.64		\$6.15	\$0.53	\$0.67	\$0.00	\$0.53	\$0.00	\$0.00	\$0.00	\$25.52	\$34.34
CE-1 8,001- 10,000 Hrs	\$16.04		\$6.15	\$0.48	\$0.67	\$0.00	\$0.48	\$0.00	\$0.00	\$0.00	\$23.82	\$31.84
CW-4 6,001-8,000 Hrs	\$14.43		\$6.15	\$0.43	\$0.67	\$0.00	\$0.43	\$0.00	\$0.00	\$0.00	\$22.11	\$29.33
CW-3 4,001-6,000 Hrs	\$12.83		\$6.15	\$0.38	\$0.67	\$0.00	\$0.38	\$0.00	\$0.00	\$0.00	\$20.41	\$26.83
CW-2 2,001-4,000 Hrs	\$12.03		\$6.15	\$0.36	\$0.67	\$0.00	\$0.36	\$0.00	\$0.00	\$0.00	\$19.57	\$25.58
CW-1 0-2,000 Hrs	\$11.22		\$6.15	\$0.34	\$0.67	\$0.00	\$0.34	\$0.00	\$0.00	\$0.00	\$18.72	\$24.33
<b>Apprentice Indentured AFTER 9/1/2006</b>	<b>Percent</b>											
1st period 0-1000 hrs	45.00	\$13.50	\$4.07	\$0.00	\$0.20	\$0.00	\$2.50	\$0.41	\$0.00	\$0.00	\$20.68	\$27.43
2nd period 1001- 2000 hrs	45.00	\$13.50	\$4.07	\$0.00	\$0.20	\$0.00	\$2.50	\$0.41	\$0.00	\$0.00	\$20.68	\$27.43
3rd period 2001- 3500 hrs	50.00	\$15.00	\$7.10	\$4.45	\$0.23	\$0.00	\$2.50	\$0.45	\$0.00	\$0.00	\$29.73	\$37.23
4th period 3501- 5000 hrs	55.00	\$16.50	\$7.10	\$4.90	\$0.25	\$0.00	\$2.50	\$0.50	\$0.00	\$0.00	\$31.75	\$40.00
5th period 5001- 6500 hrs	62.00	\$18.60	\$7.10	\$5.52	\$0.28	\$0.00	\$2.50	\$0.56	\$0.00	\$0.00	\$34.56	\$43.86
6th period 6501- 8000 hrs	71.00	\$21.30	\$7.10	\$6.32	\$0.32	\$0.00	\$2.50	\$0.64	\$0.00	\$0.00	\$38.18	\$48.83

**Special Calculation Note :** Other is for NEBF (National Electrical Benifit Fund)

**Ratio :**

1-3 Journeymen to 2 Apprentice  
4-6 Journeymen to 4 Apprentice  
7-9 Journeymen to 6 Apprentice  
first person assigned to any job site shall be a journeyman

**Jurisdiction ( \* denotes special jurisdictional note ) :**

BUTLER, WARREN\*

Construction Electrician and Construction Wireman Ratio  
There shall be a minimum ratio of one inside Journeyman to every (4) employees of different classification per jobsite. An inside Journeyman Wireman is required on the project as the fifth (5th) worker or when apprentices are used

**Special Jurisdictional Note :** In Warren County the following townships are included: (Deerfield, Hamilton, Harlan, Massie, Salem, Turtle Creek, Union, and Washington)

The scope of work for the light commercial agreement shall apply to the following facilities not to exceed 200,000 square feet; office buildings, shopping centers, auto sales agencies and garages, churches, funeral homes, nursing homes, hotels, retail and wholesale facilities, small stand-alone manufacturing facilities when free standing and not part of a larger facility (not to exceed 50,000 square fee), solar projects (500 panels or less) unless otherwise covered under the agreement, lighting retrofits (when not associated with remodels involving branch re-circuiting) lighting retrofits shall be defined as the changing of lamps and ballasts in existing light fixtures and shall also include the one for one replacement of existing fixtures, warehouses, gas stations, food service centers, restaurants, entertainment facilities, hospitals, clinics, motels, residential buildings.

**Details :**

Electricians while splicing cable shall receive \$.50 an hour above the regular electrical rate.

All work that requires the use of gas masks or respirators, shall be paid 50% above the appropriate rate of pay. Work up to & including 40 feet shall be paid \$.50 over the journeyman rate. All work from a Boatswain Chair, Swinging Scaffold, or Barrel shall be at double the Journeyman rate. Workmen required to work 50 feet or more below the surface of the earth will be paid 50% above the Journeyman rate.

# Prevailing Wage Rate Skilled Crafts

Name of Union: Electrical Local 648 Voice Data Video

Change # : LCR01-2019fbLoc648VDV

Craft : Voice Data Video Effective Date : 12/24/2019 Last Posted : 12/24/2019

Classification	BHR	Fringe Benefit Payments					Irrevocable Fund		Total PWR	Overtime Rate	
		H&W	Pension	App Tr.	Vac.	Annuity	Other	LECET (*)	MISC (*)		
Electrical Installer Technician A	\$24.35	\$6.50	\$0.73	\$0.46	\$0.00	\$4.40	\$0.00	\$0.00	\$0.00	\$36.44	\$48.62
Electrical Installer Technician B	\$23.13	\$6.50	\$0.69	\$0.44	\$0.00	\$4.40	\$0.00	\$0.00	\$0.00	\$35.16	\$46.72
JW Installer Technician B	\$21.92	\$6.50	\$0.66	\$0.42	\$0.00	\$4.40	\$0.00	\$0.00	\$0.00	\$33.90	\$44.86
Non BICSI Installer	\$15.83	\$3.00	\$0.47	\$0.30	\$0.00	\$2.00	\$0.00	\$0.00	\$0.00	\$21.60	\$29.51
Apprentice Indentured AFTER 09-03-2018											
1 st Period 0-800 Hrs	\$13.14	\$3.00	\$0.38	\$0.25	\$0.00	\$0.25	\$0.00	\$0.00	\$0.00	\$17.02	\$23.59
2nd Period 801-1600 Hrs	\$13.14	\$3.00	\$0.38	\$0.25	\$0.00	\$0.25	\$0.00	\$0.00	\$0.00	\$17.02	\$23.59
3rd Period 1601-2400 Hrs	\$15.83	\$6.00	\$0.47	\$0.30	\$0.00	\$4.00	\$0.00	\$0.00	\$0.00	\$26.60	\$34.52
4th Period 2401-3200 Hrs	\$15.83	\$6.00	\$0.47	\$0.30	\$0.00	\$4.00	\$0.00	\$0.00	\$0.00	\$26.60	\$34.52
5th Period 3201-4000 Hrs	\$18.26	\$6.03	\$0.55	\$0.35	\$0.00	\$4.00	\$0.00	\$0.00	\$0.00	\$29.19	\$38.32
6th Period 4001-4800 Hrs	\$18.26	\$6.03	\$0.55	\$0.35	\$0.00	\$4.00	\$0.00	\$0.00	\$0.00	\$29.19	\$38.32
7th Period 4801-5600 Hrs	\$19.48	\$8.04	\$0.58	\$0.30	\$0.00	\$4.00	\$0.00	\$0.00	\$0.00	\$32.40	\$42.14
8th Period 5601-6400	\$19.48	\$8.04	\$0.58	\$0.37	\$0.00	\$4.00	\$0.00	\$0.00	\$0.00	\$32.47	\$42.21
Cable Puller	\$12.18	\$3.00	\$0.37	\$0.23	\$0.00	\$0.25	\$0.00	\$0.00	\$0.00	\$16.03	\$22.12

Apprentice Indentured PRIOR to 09-03-2018	Percent											
	1st period 0-800 hrs	50.00	\$12.18	\$6.50	\$0.37	\$0.23	\$0.00	\$0.25	\$0.00	\$0.00	\$0.00	\$19.53
2nd period 801-1600 hrs	50.00	\$12.18	\$6.50	\$0.37	\$0.23	\$0.00	\$0.25	\$0.00	\$0.00	\$0.00	\$19.53	\$25.61
3rd period 1601-2400 hrs	60.00	\$14.61	\$6.50	\$0.44	\$0.28	\$0.00	\$4.40	\$0.00	\$0.00	\$0.00	\$26.23	\$33.54
4th period 2401-3200 hrs	65.00	\$15.83	\$6.50	\$0.47	\$0.30	\$0.00	\$4.40	\$0.00	\$0.00	\$0.00	\$27.50	\$35.41
5th period 3201-4000 hrs	70.00	\$17.04	\$6.50	\$0.51	\$0.32	\$0.00	\$4.40	\$0.00	\$0.00	\$0.00	\$28.77	\$37.30
6th period 4001-4800 hrs	75.00	\$18.26	\$6.50	\$0.55	\$0.35	\$0.00	\$4.40	\$0.00	\$0.00	\$0.00	\$30.06	\$39.19
Cable Puller	50.00	\$12.18	\$3.00	\$0.37	\$0.23	\$0.00	\$0.25	\$0.00	\$0.00	\$0.00	\$16.02	\$22.11

**Special Calculation Note :**

**Ratio :**

1 Technician to 2 Apprentice

**Jurisdiction ( \* denotes special jurisdictional note ) :**

BUTLER, WARREN\*

**Special Jurisdictional Note :** The following townships In Warren County are included: (Deerfield, Hamilton, Harlan, Massie, Salem, Turtle Creek, Union, and Washington)

**Details :**

The following work is excluded from the Teledata Technician work scope:

\*The installation of computer systems in industrial applications such as assembly lines, robotics, computer controller manufacturing systems.

\*The installation of conduit and/or raceways shall be installed by Inside Wireman. On sites where there is no Inside Wireman employed, the

Teledata Technician may install raceway or conduit not greater than 10 ft.

\*Fire Alarm work is excluded on all new construction sites or wherever the fire alarm system is installed in conduit

\*All HVAC control work.

# Prevailing Wage Rate Skilled Crafts

Name of Union: Elevator Local 11

Change # : LCN02-2019fbLoc11

Craft : Elevator Effective Date : 01/01/2020 Last Posted : 11/26/2019

	BHR		Fringe Benefit Payments					Irrevocable Fund		Total PWR	Overtime Rate	
			H&W	Pension	App Tr.	Vac.	Annuity	Other	LECET (*)	MISC (*)		
Classification												
Elevator Mechanic	\$47.23		\$15.73	\$10.21	\$0.63	\$3.78	\$8.20	\$1.51	\$0.00	\$0.00	\$87.29	\$110.90
Probationary Apprentice	50.02	\$23.62	\$0.00	\$0.00	\$0.00	\$1.42	\$0.00	\$0.76	\$0.00	\$0.00	\$25.80	\$37.62
1st year	55.00	\$25.98	\$15.73	\$10.21	\$0.63	\$1.56	\$8.20	\$0.83	\$0.00	\$0.00	\$63.14	\$76.12
2nd year	65.00	\$30.70	\$15.73	\$10.21	\$0.63	\$1.84	\$8.20	\$0.98	\$0.00	\$0.00	\$68.29	\$83.64
3rd year	70.00	\$33.06	\$15.73	\$10.21	\$0.63	\$1.98	\$8.20	\$1.06	\$0.00	\$0.00	\$70.87	\$87.40
4th year	80.00	\$37.78	\$15.73	\$10.21	\$0.63	\$2.27	\$8.20	\$1.21	\$0.00	\$0.00	\$76.03	\$94.93
Helper	70.00	\$33.06	\$15.73	\$10.21	\$0.63	\$1.98	\$8.20	\$1.06	\$0.00	\$0.00	\$70.87	\$87.40
Assistant Mechanic	80.00	\$37.78	\$15.73	\$10.21	\$0.63	\$2.27	\$8.20	\$1.21	\$0.00	\$0.00	\$76.03	\$94.93

**Special Calculation Note :** Other is Holiday Pay. Vacation calculated at 6%.

**Ratio :**

The total number of Helpers & Apprentices employed shall not exceed the number of Mechanics on any one job, except on jobs where (2) teams or more are working, (1) extra Helper or Apprentice may be employed for the first (2) teams and an extra Helper or Apprentice for each additional (3) teams.

- 1 Journeymen to 1 Apprentice
- 2 Journeymen to 5 Apprentice
- 3 Journeymen to 6 Apprentice

**Jurisdiction ( \* denotes special jurisdictional note ) :**

ADAMS, BROWN, BUTLER, CLERMONT, CLINTON, DARKE, GREENE, HAMILTON, HIGHLAND, MIAMI, MONTGOMERY, PREBLE, SCIOTO, SHELBY, WARREN

**Special Jurisdictional Note :**

**Details :**

# Prevailing Wage Rate Skilled Crafts

Name of Union: Glazier Local 387

Change # : LCN01-2020fbLoc387

Craft : Glazier Effective Date : 11/01/2020 Last Posted : 10/28/2020

	BHR		Fringe Benefit Payments					Irrevocable Fund		Total PWR	Overtime Rate	
			H&W	Pension	App Tr.	Vac.	Annuity	Other	LECET (*)			MISC (*)
Classification												
Glazier	\$27.93		\$5.67	\$10.10	\$0.25	\$0.00	\$0.00	\$0.00	\$0.00	\$0.00	\$43.95	\$57.92
Apprentice	Percent											
1st 6 months	53.70	\$15.00	\$5.67	\$0.00	\$0.25	\$0.00	\$0.00	\$0.00	\$0.00	\$0.00	\$20.92	\$28.42
2nd 6 months	65.00	\$18.15	\$5.67	\$6.19	\$0.25	\$0.00	\$0.00	\$0.00	\$0.00	\$0.00	\$30.26	\$39.34
3rd 6 months	70.00	\$19.55	\$5.67	\$6.71	\$0.25	\$0.00	\$0.00	\$0.00	\$0.00	\$0.00	\$32.18	\$41.96
4th 6 months	75.00	\$20.95	\$5.67	\$6.85	\$0.25	\$0.00	\$0.00	\$0.00	\$0.00	\$0.00	\$33.72	\$44.19
5th 6 months	80.00	\$22.34	\$5.67	\$7.43	\$0.25	\$0.00	\$0.00	\$0.00	\$0.00	\$0.00	\$35.69	\$46.87
6th 6 months	85.00	\$23.74	\$5.67	\$7.57	\$0.25	\$0.00	\$0.00	\$0.00	\$0.00	\$0.00	\$37.23	\$49.10
7th 6 months	90.00	\$25.14	\$5.67	\$8.09	\$0.25	\$0.00	\$0.00	\$0.00	\$0.00	\$0.00	\$39.15	\$51.72
8th 6 months	95.00	\$26.53	\$5.67	\$8.68	\$0.25	\$0.00	\$0.00	\$0.00	\$0.00	\$0.00	\$41.13	\$54.40

**Special Calculation Note :** No special calculations for this skilled craft wage rate are required at this time.

**Ratio :**

Each employer may employ and train Apprentices in the following ratio to journeymen workers employed.  
1 Journeymen to 1 Apprentice

**Jurisdiction ( \* denotes special jurisdictional note ) :**

ADAMS, BROWN, BUTLER, CHAMPAIGN, CLARK, CLERMONT, CLINTON, DARKE, FAYETTE\*, GREENE, HAMILTON, HIGHLAND, MIAMI, MONTGOMERY, PREBLE, SHELBY\*, WARREN

**Special Jurisdictional Note :** Fayette County: Eastern portion of route #41 being the dividing line between locals 372 and 387. Local 387 has jurisdiction of projects built on property which borders route #41 East. Shelby County: Southern portion of routes #47 & 29.

**Details :**

# Prevailing Wage Rate Skilled Crafts

Name of Union: Ironworker Local 44

Change # : LCNO1-2019fbLoc44

Craft : Ironworker Effective Date : 06/05/2019 Last Posted : 06/05/2019

	BHR		Fringe Benefit Payments					Irrevocable Fund		Total PWR	Overtime Rate	
			H&W	Pension	App Tr.	Vac.	Annuity	Other	LECET (*)			MISC (*)
<b>Classification</b>												
Ironworker Reinforcing	\$29.87		\$8.20	\$9.50	\$0.60	\$0.00	\$3.00	\$0.19	\$0.00	\$0.00	\$51.36	\$66.29
Structural	\$29.37		\$8.20	\$9.50	\$0.60	\$0.00	\$3.00	\$0.19	\$0.00	\$0.00	\$50.86	\$65.54
Ornamental	\$29.37		\$8.20	\$9.50	\$0.60	\$0.00	\$3.00	\$0.19	\$0.00	\$0.00	\$50.86	\$65.54
Machine Mover/Rigger	\$29.37		\$8.20	\$9.50	\$0.60	\$0.00	\$3.00	\$0.19	\$0.00	\$0.00	\$50.86	\$65.54
Conveyer Mechanic	\$29.37		\$8.20	\$9.50	\$0.60	\$0.00	\$3.00	\$0.19	\$0.00	\$0.00	\$50.86	\$65.54
Maintenance/Heavy Hwy	\$29.37		\$8.20	\$9.50	\$0.60	\$0.00	\$3.00	\$0.19	\$0.00	\$0.00	\$50.86	\$65.54
Welder A	\$29.62		\$8.20	\$9.50	\$0.60	\$0.00	\$3.00	\$0.19	\$0.00	\$0.00	\$51.11	\$65.92
Welder B	\$29.87		\$8.20	\$9.50	\$0.60	\$0.00	\$3.00	\$0.19	\$0.00	\$0.00	\$51.36	\$66.29
Sheeter	\$29.37		\$8.20	\$9.50	\$0.60	\$0.00	\$3.00	\$0.19	\$0.00	\$0.00	\$50.86	\$65.54
Fence Erector	\$27.90		\$8.20	\$9.50	\$0.60	\$0.00	\$3.00	\$0.19	\$0.00	\$0.00	\$49.39	\$63.34
Ironworker	\$29.37		\$8.20	\$9.50	\$0.60	\$0.00	\$3.00	\$0.19	\$0.00	\$0.00	\$50.86	\$65.54
<b>Apprentice</b>												
<b>Percent</b>												
Apprentice												
1st yr A	55.00	\$16.43	\$8.20	\$9.50	\$0.60	\$0.00	\$0.75	\$0.19	\$0.00	\$0.00	\$35.67	\$43.88
1st yr B	60.00	\$17.92	\$8.20	\$9.50	\$0.60	\$0.00	\$0.75	\$0.19	\$0.00	\$0.00	\$37.16	\$46.12
1st yr C	65.00	\$19.42	\$8.20	\$9.50	\$0.60	\$0.00	\$0.75	\$0.19	\$0.00	\$0.00	\$38.66	\$48.36
2nd yr A	70.00	\$20.91	\$8.20	\$9.50	\$0.60	\$0.00	\$0.75	\$0.19	\$0.00	\$0.00	\$40.15	\$50.60
2nd yr B	75.00	\$22.40	\$8.20	\$9.50	\$0.60	\$0.00	\$0.75	\$0.19	\$0.00	\$0.00	\$41.64	\$52.84
3rd yr A	80.00	\$23.90	\$8.20	\$9.50	\$0.60	\$0.00	\$1.50	\$0.19	\$0.00	\$0.00	\$43.89	\$55.83
3rd yr B	85.00	\$25.39	\$8.20	\$9.50	\$0.60	\$0.00	\$1.50	\$0.19	\$0.00	\$0.00	\$45.38	\$58.07
4th yr A	90.00	\$26.88	\$8.20	\$9.50	\$0.60	\$0.00	\$2.25	\$0.19	\$0.00	\$0.00	\$47.62	\$61.06
4th yr B	95.00	\$28.38	\$8.20	\$9.50	\$0.60	\$0.00	\$2.25	\$0.19	\$0.00	\$0.00	\$49.12	\$63.30
4th yr C	100.00	\$29.87	\$8.20	\$9.50	\$0.60	\$0.00	\$2.25	\$0.19	\$0.00	\$0.00	\$50.61	\$65.54

**Special Calculation Note : Other is Impact Fund Training**

**Ratio :**



**Jurisdiction ( \* denotes special jurisdictional note ) :**

1 Journeymen to 1 Apprentice  
2 Journeymen to 2 Apprentice  
10 Journeymen to 4 Apprentices

ADAMS\*, BROWN, BUTLER\*, CLERMONT,  
CLINTON\*, HAMILTON, HIGHLAND\*,  
WARREN\*

**Special Jurisdictional Note :** Adams County Twps included: Bratton, Scott, Winchester, Wayne. Butler County Twps included: Oxford, St. Clair, Fairfield, Morgan, Liberty, Union, Ross, Reily, Hanover. West Chester. In Clinton County, Manchester and South West Borrow. Highland County Twps included: Dotson, Salem, Clay, White Oak, Hamer, New Market, Concord, Jackson, Washington. Warren County Twps included: Harlan, Deerfield, Hamilton.

**Details :**

Structural Iron Work but not limited to:field fabrication, all loading to and including the erecting,rigging,assembly,dismantling, placing, temporary and permanent securing by any means of all structural iron,steel,ornamental lead,bronze,brass,copper,aluminum,glass all ferrous and non ferrous metal and composite material, precast prestressed and post-stressed concrete structures. Bridges and bridge rails,bridge viaducts,bucks bulkheads,bumper and bumper post,canopies and unistrut canopies,corrugated ferrous and non ferrous sheets when attached to steel frames,columns,beams,bar-joists,trusses,grinders,roof decking,electrical supports,elevator cars,elevator fronts and enclosures,erection of steel towers,flag poles, gymnasium equipment,stadium and arena seating,jail cell work,jail cell beds,benches,bunks,chairs,tables,mirrors,jail cell access doors,rigging and installation of machinery and equipment(erection,aligning,anchoring and dismantling, erection and dismantling of tower cranes,derrick monorail systems, Chicago booms,overhead cranes,gantries,material and personnel hoists,tanks,hoppers and conveyors. All pre-engineered metal buildings and their entirety including siding,roofing, gutters, downspouts and erection of all.

Ornamental Iron Work but not limited to:all work in connection with field fabrication,handling including loading/off loading,sorting,cutting,fastening,anchoring,bending,hoisting,placing,burning,welding,and tying,dismantling of all materials used in miscellaneous iron or steel, for stairs,hand railings,rolling doors, rolling gates,rolling shutters,fence,windows,curtain wall,erection and welding of all metal, sash,architectural and ornamental treatments, but not necessarily limited to all sizes and types of ornamental,steel iron,lead,bronze,brass,copper,aluminum,all ferrous and non ferrous metals and composite materials

Fence Erector Iron Worker but not limited to: All work in connection with the field fabrication and erection of chain link fence,which includes but not limited to the loading and of the fence fabric and posts also the installation of the above.

# Prevailing Wage Rate Skilled Crafts

Name of Union: Ironworker Local 290

Change # : LCN01-2019fbLoc290

Craft : Ironworker Effective Date : 06/01/2019 Last Posted : 05/23/2019

	BHR		Fringe Benefit Payments					Irrevocable Fund		Total PWR	Overtime Rate	
			H&W	Pension	App Tr.	Vac.	Annuity	Other	LECET (*)			MISC (*)
Classification												
Ironworker Structural	\$29.23		\$8.20	\$9.50	\$0.65	\$0.00	\$4.00	\$0.02	\$0.00	\$0.00	\$51.60	\$66.21
Welder	\$29.23		\$8.20	\$9.50	\$0.65	\$0.00	\$4.00	\$0.02	\$0.00	\$0.00	\$51.60	\$66.21
Fence Erector	\$29.23		\$8.20	\$9.50	\$0.65	\$0.00	\$4.00	\$0.02	\$0.00	\$0.00	\$51.60	\$66.21
Reinforcing Rods	\$29.23		\$8.20	\$9.50	\$0.65	\$0.00	\$4.00	\$0.02	\$0.00	\$0.00	\$51.60	\$66.21
Machinery Mover	\$29.23		\$8.20	\$9.50	\$0.65	\$0.00	\$4.00	\$0.02	\$0.00	\$0.00	\$51.60	\$66.21
Sheeter	\$29.23		\$8.20	\$9.50	\$0.65	\$0.00	\$4.00	\$0.02	\$0.00	\$0.00	\$51.60	\$66.21
Metal Building Erector	\$29.23		\$8.20	\$9.50	\$0.65	\$0.00	\$4.00	\$0.02	\$0.00	\$0.00	\$51.60	\$66.21
Rigger & Erector	\$29.29		\$8.20	\$9.50	\$0.65	\$0.00	\$4.00	\$0.02	\$0.00	\$0.00	\$51.66	\$66.30
Apprentice	Percent											
1st year	65.15	\$19.04	\$8.20	\$9.50	\$0.65	\$0.00	\$2.50	\$0.02	\$0.00	\$0.00	\$39.91	\$49.44
2nd year	75.15	\$21.97	\$8.20	\$9.50	\$0.65	\$0.00	\$2.50	\$0.02	\$0.00	\$0.00	\$42.84	\$53.82
3rd year	85.15	\$24.89	\$8.20	\$9.50	\$0.65	\$0.00	\$2.50	\$0.02	\$0.00	\$0.00	\$45.76	\$58.20
4th year	95.15	\$27.81	\$8.20	\$9.50	\$0.65	\$0.00	\$2.50	\$0.02	\$0.00	\$0.00	\$48.68	\$62.59

**Special Calculation Note :** Other is for Industry Fund.

**Ratio :**

3 Journeymen to 1 Apprentice

**Jurisdiction ( \* denotes special jurisdictional note ) :**

ALLEN\*, AUGLAIZE, BUTLER\*, CHAMPAIGN\*, CLARK, CLINTON, DARKE, FAYETTE\*, GREENE, HARDIN\*, HIGHLAND\*, LOGAN\*, MADISON\*, MERCER\*, MIAMI, MONTGOMERY, PREBLE, SHELBY, VAN WERT\*, WARREN\*

**Special Jurisdictional Note :** Allen County Twps included are: Auglaize, Perry, Shawnee, Amanda, Spencer, Marion, Sugar Creek, American, Bath, Jackson. Butler County Twps included are: Milford, Wayne, Madison, Lemon. Champaign Cnty Twps included are: Union, Urbana, Jackson, Concord, Salem, Mad River, Johnson, Harrison, Adams. Fayette County Twps included are: Green, Jasper, Concord, Jefferson. Hardin County Twps included are: Round Head, Marion,

Liberty. Highland County Twps included are: Fairfield, Penn, Union, Marshall, Liberty, Paint, Brush Creek. Logan County Twps included are: Richland, Stokes, Bloomfield, Washington, Harrison, McArthur, Lake, Liberty, Pleasant, Miami. Madison County Twps included are: Stokes. Mercer County Twps included are: Dublin, Washington, Jefferson, Recovery, Gibson, Union, Liberty, Butler, Granville, Center, Hopewell, Franklin, Marion. VanWert County Twps included are: Jennings. Warren County Twps included are: Franklin, Clear Creek, Turtle Creek, Wayne, Massie, Washington, Salem, Union.

**Details :**

Structural Iron Work but not limited to:field fabrication, all loading to and including the erecting,rigging,assembly,dismantling, placing, temporary and permanent securing by any means of all structural iron,steel,ornamental lead,bronze,brass,copper,aluminum,glass all ferrous and non ferrous metal and composite material, precast prestressed and post-stressed concrete structures. Bridges and bridge rails,bridge viaducts,bucks bulkheads,bumper and bumper post,canopies and unistrut canopies,corrugated ferrous and non ferrous sheets when attached to steel frames,columns,beams,bar-joists,trusses,grinders,roof decking,electrical supports,elevator cars,elevator fronts and enclosures,erection of steel towers,flag poles, gymnasium equipment,stadium and arena seating,jail cell work,jail cell beds,benches,bunks,chairs,tables,mirrors,jail cell access doors,rigging and installation of machinery and equipment(erecting,aligning,anchoring and dismantling, erection and dismantling of tower cranes,derrick monorail systems, Chicago booms,overhead cranes,gantries,material and personnel hoists,tanks,hoppers and conveyors. All pre-engineered metal buildings and their entirety including siding,roofing, gutters, downspouts and erection of all.

Ornamental Iron Work but not limited to:all work in connection with field fabrication,handling including loading/off loading,sorting,cutting,fastening,anchoring,bending,hoisting,placing,burning,welding,and tying,dismantling of all materials used in miscellaneous iron or steel, for stairs,hand railings,rolling doors, rolling gates,rolling shutters,fence,windows,curtain wall,erection and welding of all metal, sash,architectural and ornamental treatments, but not necessarily limited to all sizes and types of ornamental,steel iron,lead,bronze,brass,copper,aluminum,all ferrous and non ferrous metals and composite materials

Fence Erector Iron Worker but not limited to: All work in connection with the field fabrication and erection of chain link fence,which includes but not limited to the loading and of the fence fabric and posts also the installation of the above.

# Prevailing Wage Rate

## Skilled Crafts

Name of Union: Labor HevHwy 3

Change # : LCN01-2020fbLocalHevHwy3

Craft : Laborer Group 1 Effective Date : 05/14/2020 Last Posted : 05/14/2020

	BHR		Fringe Benefit Payments					Irrevocable Fund		Total PWR	Overtime Rate	
			H&W	Pension	App Tr.	Vac.	Annuity	Other	LECET (*)			MISC (*)
Classification												
Laborer Group 1	\$32.62		\$7.00	\$3.80	\$0.45	\$0.00	\$0.00	\$0.00	\$0.10	\$0.00	\$43.97	\$60.28
Group 2	\$32.79		\$7.00	\$3.80	\$0.45	\$0.00	\$0.00	\$0.00	\$0.10	\$0.00	\$44.14	\$60.54
Group 3	\$33.12		\$7.00	\$3.80	\$0.45	\$0.00	\$0.00	\$0.00	\$0.10	\$0.00	\$44.47	\$61.03
Group 4	\$33.57		\$7.00	\$3.80	\$0.45	\$0.00	\$0.00	\$0.00	\$0.10	\$0.00	\$44.92	\$61.71
Watch Person	\$25.35		\$7.00	\$3.80	\$0.45	\$0.00	\$0.00	\$0.00	\$0.10	\$0.00	\$36.70	\$49.38
<b>Apprentice</b>	<b>Percent</b>											
0-1000 hrs	60.00	\$19.57	\$7.00	\$3.80	\$0.45	\$0.00	\$0.00	\$0.00	\$0.10	\$0.00	\$30.92	\$40.71
1001-2000 hrs	70.00	\$22.83	\$7.00	\$3.80	\$0.45	\$0.00	\$0.00	\$0.00	\$0.10	\$0.00	\$34.18	\$45.60
2001-3000 hrs	80.00	\$26.10	\$7.00	\$3.80	\$0.45	\$0.00	\$0.00	\$0.00	\$0.10	\$0.00	\$37.45	\$50.49
3001-4000 hrs	90.00	\$29.36	\$7.00	\$3.80	\$0.45	\$0.00	\$0.00	\$0.00	\$0.10	\$0.00	\$40.71	\$55.39
More than 4000 hrs	100.00	\$32.62	\$7.00	\$3.80	\$0.45	\$0.00	\$0.00	\$0.00	\$0.10	\$0.00	\$43.97	\$60.28

**Special Calculation Note :** Watchmen have no Apprentices. Tunnel Laborer rate with air-pressurized add \$1.00 to the above wage rate.

### Ratio :

- 1 Journeymen to 1 Apprentice
- 3 Journeymen to 1 Apprentice thereafter

### Jurisdiction ( \* denotes special jurisdictional note ) :

ADAMS, ALLEN, ASHLAND, ATHENS, AUGLAIZE, BELMONT, BROWN, BUTLER, CARROLL, CHAMPAIGN, CLARK, CLERMONT, CLINTON, COLUMBIANA, COSHOCTON, CRAWFORD, DARKE, DEFIANCE, DELAWARE, FAIRFIELD, FAYETTE, FRANKLIN, FULTON, GALLIA, GREENE, GUERNSEY, HAMILTON, HANCOCK, HARDIN, HARRISON, HENRY, HIGHLAND, HOCKING, HOLMES, JACKSON, JEFFERSON, KNOX, LAWRENCE, LICKING, LOGAN, MADISON, MARION, MEIGS, MERCER, MIAMI, MONROE, MONTGOMERY, MORGAN,

MORROW, MUSKINGUM, NOBLE, PAULDING,  
 PERRY, PICKAWAY, PIKE, PREBLE, PUTNAM,  
 RICHLAND, ROSS, SCIOTO, SENECA, SHELBY,  
 TUSCARAWAS, UNION, VAN WERT, VINTON,  
 WARREN, WASHINGTON, WAYNE, WILLIAMS,  
 WYANDOT

**Special Jurisdictional Note :** Hod Carriers and Common Laborers - Heavy, Highway, Sewer, Waterworks, Utility, Airport, Railroad, Industrial and Building Site, Sewer Plant, Waste Water Treatment Facilities Construction

**Details :**

Group 1

Laborer (Construction); Plant Laborer or Yardman, Right-of-way Laborer, Landscape Laborer, Highway Lighting Worker, Signalization Worker, (Swimming) Pool Construction Laborer, Utility Man, \*Bridge Man, Handyman, Joint Setter, Flagperson, Carpenter Helper, Waterproofing Laborer, Slurry Seal, Seal Coating, Surface Treatment or Road Mix Laborer, Riprap Laborer & Grouter, Asphalt Laborer, Dump Man (batch trucks), Guardrail & Fence Installer, Mesh Handler & Placer, Concrete Curing Applicator, Scaffold Erector, Sign Installer, Hazardous Waste (level D), Diver Helper, Zone Person and Traffic Control.

\*Bridge Man will perform work as per the October 31, 1949, memorandum on concrete forms, by and between the United Brotherhood of Carpenters and Joiners of America and the Laborers' International Union of North America, which states in; "the moving, cleaning, oiling and carrying to the next point of erection, and the stripping of forms which are not to be re-used, and forms on all flat arch work shall be done by members of the Laborers' International Union of North America."

Group 2

Asphalt Raker, Screwman or Paver, Concrete Puddler, Kettle Man (pipeline), All Machine-Driven Tools (Gas, Electric, Air), Mason Tender, Brick Paver, Mortar Mixer, Skid Steer, Sheeting & Shoring Person, Surface Grinder Person, Screedperson, Water Blast, Hand Held Wand, Power Buggy or Power Wheelbarrow, Paint Striper, Plastic fusing Machine Operator, Rodding Machine Operator, Pug Mill Operator, Operator of All Vacuum Devices Wet or Dry, Handling of all Pumps 4 inches and under (gas, air or electric), Diver, Form Setter, Bottom Person, Welder Helper (pipeline), Concrete Saw Person, Cutting with Burning Torch, Pipe Layer, Hand Spiker (railroad), Underground Person (working in sewer and waterline, cleaning, repairing and reconditioning). Tunnel Laborer (without air), Caisson, Cofferdam (below 25 feet deep), Air Track and Wagon Drill, Sandblaster Nozzle Person, Hazardous Waste (level B), \*\*\*Lead Abatement, Hazardous Waste (level C)

\*\*\*Includes the erecting of structures for the removal, including the encapsulation and containment of Lead abatement process.

Group 3

Blast and Powder Person, Muckers will be defined as shovel men working directly with the miners, Wrencher (mechanical joints & utility pipeline), Yarnier, Top Lander, Hazardous Waste (level A), Concrete Specialist, Curb Setter and Cutter, Grade Checker, Concrete Crew in Tunnels. Utility pipeline Tappers, Waterline, Caulker, Signal Person will receive the rate equal to the rate paid the Laborer classification for which the Laborer is signaling.

Group 4

Miner, Welder, Gunite Nozzle Person

A.) The Watchperson shall be responsible to patrol and maintain a safe traffic zone including but not limited to barrels, cones, signs, arrow boards, message boards etc.

The responsibility of a watchperson is to see that the equipment, job and office trailer etc. are secure.

# Prevailing Wage Rate Skilled Crafts

Name of Union: Labor Local 534 Building

Change # : LCNO1-2019fbLoc534.

Craft : Laborer Effective Date : 06/01/2019 Last Posted : 05/23/2019

	BHR		Fringe Benefit Payments					Irrevocable Fund		Total PWR	Overtime Rate	
			H&W	Pension	App Tr.	Vac.	Annuity	Other	LECET (*)			MISC (*)
<b>Classification</b>												
Laborer Group 1	\$27.59		\$7.00	\$3.70	\$0.45	\$0.00	\$0.00	\$0.00	\$0.10	\$0.00	\$38.84	\$52.64
Laborer Group 2	\$27.69		\$7.00	\$3.70	\$0.45	\$0.00	\$0.00	\$0.00	\$0.10	\$0.00	\$38.94	\$52.79
Laborer Group 3	\$27.79		\$7.00	\$3.70	\$0.45	\$0.00	\$0.00	\$0.00	\$0.10	\$0.00	\$39.04	\$52.94
Laborer Group 4	\$27.92		\$7.00	\$3.70	\$0.45	\$0.00	\$0.00	\$0.00	\$0.10	\$0.00	\$39.17	\$53.13
Laborer Group 5	\$28.17		\$7.00	\$3.70	\$0.45	\$0.00	\$0.00	\$0.00	\$0.10	\$0.00	\$39.42	\$53.51
Laborer Group 6	\$27.94		\$7.00	\$3.70	\$0.45	\$0.00	\$0.00	\$0.00	\$0.10	\$0.00	\$39.19	\$53.16
Laborer Group 7	\$27.14		\$7.00	\$3.70	\$0.45	\$0.00	\$0.00	\$0.00	\$0.10	\$0.00	\$38.39	\$51.96
<b>Apprentice</b>												
	<b>Percent</b>											
0-1000 hrs	60.00	\$16.55	\$7.00	\$3.70	\$0.45	\$0.00	\$0.00	\$0.00	\$0.10	\$0.00	\$27.80	\$36.08
1001-2000 hrs	70.00	\$19.31	\$7.00	\$3.70	\$0.45	\$0.00	\$0.00	\$0.00	\$0.10	\$0.00	\$30.56	\$40.22
2001-3000 hrs	80.00	\$22.07	\$7.00	\$3.70	\$0.45	\$0.00	\$0.00	\$0.00	\$0.10	\$0.00	\$33.32	\$44.36
3001-4000	90.00	\$24.83	\$7.00	\$3.70	\$0.45	\$0.00	\$0.00	\$0.00	\$0.10	\$0.00	\$36.08	\$48.50
4001	100.00	\$27.59	\$7.00	\$3.70	\$0.45	\$0.00	\$0.00	\$0.00	\$0.10	\$0.00	\$38.84	\$52.64

**Special Calculation Note :** No special calculations for this skilled craft wage rate are required at this time.

**Ratio :**

1 Journeyman to 1 Apprentice  
3 Journeyman to 1 Apprentice

**Jurisdiction ( \* denotes special jurisdictional note ) :**

BUTLER, WARREN

**Special Jurisdictional Note :**

**Details :**

Note:

Group 1: Building & Common Laborer; All general laborers work including all forms of landscaping, Rough Rider - all pump's 4 inch or smaller, Small Pump Portable Generators-Bobcat to Cleanup, Firewatch and Monitor, (Safety Person)

Group 2: Asphalt Raker, Tamper, Smoother, Hand Air Pump, Hand air Tamper, Chisel, Power Tamper, Operator, Switch, Assemblies, Handling & Laying Precast Concrete Floors & Deck Tool Repairman.

Group 3: Concrete Specialist; Skid Steers (with attachments to perform Laborer's duties) Jack Hammer \* Concrete Busterman, Barco Tamper Man, Power Georgia Buggy Man, Power Sweeper Man, Vibrator, Concrete Saw Man, Rail Spikers, Acetylene Burner, Pipelayers, Bos'n Cradleman, Bottom Man, Chipping Hammer Grade Checker, Radio Operator, Form Cleanout & blowout Man, Red Concrete Coloring Man (Electrical Safety)

Group 4: Mason Tender, Mortar Mixers & Scaffold Builders

Group 5: Fork Lift for Mason, all work involving Refractory Materials Including Demolition of Refractory Materials.

Asbestos Removal and Hazardous Waste Removal (handling, control, removal abatement, encapsulation or disposal of asbestos & hazardous waste),

Group 6: Gunnite Man, Sand Blaster, Concrete & Grout Pump & Hose Man, Blast Trac, Miners & Muckers, Free Air, Powderman or Blaster, Mortar or Gypsum Machineman, Welder, Scuba Diver.

Group 7: Watchman & Tool Checker/Toolroom Man



# Prevailing Wage Rate Skilled Crafts

Name of Union: Operating Engineers - Building Local 18 - Zone III

Change # : LCN01-2020fbLoc18zone3

Craft : Operating Engineer Effective Date : 05/14/2020 Last Posted : 05/14/2020

	BHR		Fringe Benefit Payments					Irrevocable Fund		Total PWR	Overtime Rate	
			H&W	Pension	App Tr.	Vac.	Annuity	Other	LECET (*)			MISC (*)
Classification												
Operator Class 1	\$38.24		\$8.51	\$6.00	\$0.85	\$0.00	\$0.00	\$0.09	\$0.00	\$0.00	\$53.69	\$72.81
Class 2	\$38.12		\$8.51	\$6.00	\$0.85	\$0.00	\$0.00	\$0.09	\$0.00	\$0.00	\$53.57	\$72.63
Class 3	\$37.08		\$8.51	\$6.00	\$0.85	\$0.00	\$0.00	\$0.09	\$0.00	\$0.00	\$52.53	\$71.07
Class 4	\$35.90		\$8.51	\$6.00	\$0.85	\$0.00	\$0.00	\$0.09	\$0.00	\$0.00	\$51.35	\$69.30
Class 5	\$30.44		\$8.51	\$6.00	\$0.85	\$0.00	\$0.00	\$0.09	\$0.00	\$0.00	\$45.89	\$61.11
Class 6	\$38.49		\$8.51	\$6.00	\$0.85	\$0.00	\$0.00	\$0.09	\$0.00	\$0.00	\$53.94	\$73.18
Class 7	\$38.74		\$8.51	\$6.00	\$0.85	\$0.00	\$0.00	\$0.09	\$0.00	\$0.00	\$54.19	\$73.56
Class 8	\$39.24		\$8.51	\$6.00	\$0.85	\$0.00	\$0.00	\$0.09	\$0.00	\$0.00	\$54.69	\$74.31
Class 9	\$39.49		\$8.51	\$6.00	\$0.85	\$0.00	\$0.00	\$0.09	\$0.00	\$0.00	\$54.94	\$74.68
<b>Apprentice</b>	<b>Percent</b>											
1st Year	50.00	\$19.12	\$8.51	\$6.00	\$0.85	\$0.00	\$0.00	\$0.09	\$0.00	\$0.00	\$34.57	\$44.13
2nd Year	60.00	\$22.94	\$8.51	\$6.00	\$0.85	\$0.00	\$0.00	\$0.09	\$0.00	\$0.00	\$38.39	\$49.87
3rd Year	70.00	\$26.77	\$8.51	\$6.00	\$0.85	\$0.00	\$0.00	\$0.09	\$0.00	\$0.00	\$42.22	\$55.60
4th Year	80.00	\$30.59	\$8.51	\$6.00	\$0.85	\$0.00	\$0.00	\$0.09	\$0.00	\$0.00	\$46.04	\$61.34
Field Mechanic Trainee												
1st Year	50.00	\$19.12	\$8.51	\$6.00	\$0.85	\$0.00	\$0.00	\$0.09	\$0.00	\$0.00	\$34.57	\$44.13
2nd Year	60.00	\$22.94	\$8.51	\$6.00	\$0.85	\$0.00	\$0.00	\$0.09	\$0.00	\$0.00	\$38.39	\$49.87
3rd Year	70.00	\$26.77	\$8.51	\$6.00	\$0.85	\$0.00	\$0.00	\$0.09	\$0.00	\$0.00	\$42.22	\$55.60
4th Year	80.00	\$30.59	\$8.51	\$6.00	\$0.85	\$0.00	\$0.00	\$0.09	\$0.00	\$0.00	\$46.04	\$61.34

**Special Calculation Note :** Other: Education & Safety \$0.09

**Ratio :**

For every (3) Operating Engineer Journeymen employed by the company there may be employed (1) Registered Apprentice or trainee Engineer through the referral when they are available. An apprentice, while employed as part of a crew per Article VIII, paragraph

**Jurisdiction ( \* denotes special jurisdictional note ) :**

ADAMS, ALLEN, ASHLAND, ATHENS, AUGLAIZE, BELMONT, BROWN, BUTLER, CARROLL, CHAMPAIGN, CLARK, CLERMONT, CLINTON, COSHOCTON, CRAWFORD, DARKE, DEFIANCE, DELAWARE, FAIRFIELD, FAYETTE, FRANKLIN, FULTON, GALLIA, GREENE,

77, will not be subject to the apprenticeship ratios in this collective bargaining agreement

GUERNSEY, HAMILTON, HANCOCK, HARDIN, HARRISON, HENRY, HIGHLAND, HOCKING, HOLMES, JACKSON, JEFFERSON, KNOX, LAWRENCE, LICKING, LOGAN, MADISON, MARION, MEIGS, MERCER, MIAMI, MONROE, MONTGOMERY, MORGAN, MORROW, MUSKINGUM, NOBLE, OTTAWA, PAULDING, PERRY, PICKAWAY, PIKE, PREBLE, PUTNAM, RICHLAND, ROSS, SANDUSKY, SCIOTO, SENECA, SHELBY, STARK, TUSCARAWAS, UNION, VAN WERT, VINTON, WARREN, WASHINGTON, WAYNE, WILLIAMS, WYANDOT

### Special Jurisdictional Note :

#### Details :

\*\*Apprentices will receive a 10% increase on top of the percentages listed above provided they are operating mobile equipment. Mechanic Trainees will receive 10% increase if required to have CDL

Class 1 - Barrier Moving Machine; Boiler Operators or Compressor Operators, when compressor or boiler is mounted on crane (Piggyback Operation); Boom Trucks (all types); Cableways Cherry Pickers; Combination - Concrete Mixers & Towers; All Concrete Pumps with Booms; Cranes (all types) Derricks (all types); Draglines Dredges (dipper, clam or suction) 3-man crew; Elevating Graders or Euclid Loaders; Floating Equipment; Gradalls; Helicopter Operators; hoisting building materials; Helicopter Winch Operators, Hoisting building materials; Hoes (All types); Hoists (with two or more drums in use): Hydraulic Gantry (lift system); Laser Finishing Machines; Lift Slab or Panel Jack Operators; Locomotives (all types); Maintenance Engineers (Mechanic and/or Welder); Mixers, paving (multiple drum); Mobile Concrete Pumps, with booms, Panelboards, (all types on site); Pile Drivers; Power Shovels; Prentice Loader; Rail Tamper (with automatic lifting and aligning device); Rotary Drills (all) used on caissons for foundations and sub-structure work; Side Booms; Slip Form Pavers; Straddle Carriers (Building Construction on site); Tug Boats. Horizontal Directional Drill, Rough Terrain Fork-lift with Winch/Hoist, Laser Screed, and Like equipment; Compact Cranes, track or rubber over 4,000 pound capacity, self-erecting cranes: stationary, track or truck (all configurations) bucket trench machines (over 24 " wide).

Class 2 - Asphalt Pavers; Bobcat-type and/or skid steer loader with hoe attachment greater than 7000 lbs. Bulldozers; CMI type Equipment; Endloaders; Hydro Milling Machine; Kolman-type Loaders (Dirt Loading); Lead Greasemen; Mucking Machines; Pettibone-Rail Equipment; Power Graders; Power Scoops; Power Scrapers; Push Cats; Vermeer Type Concrete Saw; All rotomills, grinders & planers of all types. Articulating/end dumps (minus \$4.00/hour from Class 2 rate)

Class 3 - A Frames; Air Compressors, Pressurizing Shafts or Tunnels; All Asphalt Rollers; Bobcat-type and/or skid steer loader with or without attachments; Boilers (15 lbs pressure and over); All concrete Pumps (without booms with 5 inch system); Fork Lifts (except masonry); Highway Drillers - all types (with integral power); Hoists (with one drum); House Elevators (except those automatic call button controlled); Man lifts; Mud Jacks; Pressure Grouting; Pump Operators (installing or operating Well Points or other types of Dewatering Systems); Pumps (4 inches and over discharge); Railroad Tie Insertor/Remover; Rotator (Lime-Soil Stabilizer); Submersible Pumps (4 inches and over discharge); Switch & Tie Tampers (without lifting and aligning device); Trench Machines (24 inches and under); Utility Operators; Material hoist/elevators.

Class 4 - Ballast Re-locator; Backfillers and Tampers; Batch Plant Operators; Bar and Joint Installing Machines; Bull Floats; Burlap and Curing Machines; Clefplanes; Compressors, on building construction; Concrete Spreader; Conveyors, used for handling building materials; Concrete Mixers, one bag capacity (side loader); Concrete Mixers, capacity more than one bag; Crushers; Deck Hands; Drum Fireman (in Asphalt Plant); Farm type tractors pulling attachments; Finishing Machines; Form Trenchers; Generators: Gunite Machines; Hydro-

Seeders; Pavement Breakers (hydraulic or cable); Post Drivers; Post Hole Diggers; Pressure Pumps (over 1/2 inch discharge); Road Widening Trenchers; Rollers (except asphalt); All Concrete pumps (without Boom with 4 inch or smaller systems); Self-Propelled Power Spreaders; Concrete Spreaders; Self-Propelled Sub-graders; Shotcrete Machines; Tire Repairmen; Tractors, pulling sheepfoot rollers or graders; VAC/ALLS; Vibratory Compactors, with integral power; Welder Operators.

Class 5 - Boilers (less than 15 lbs. pressure); Inboard/outboard Motor Boat Launches; Light Plant Operators; Masonry Fork Lifts; Oilers/Helpers; Power Driven Heaters (oil fired); Power Scrubbers; Power Sweepers; Pumps (under 4 inch discharge); Signalmen, Submersible Pumps (under 4 inch discharge). Directional Drill Locator and Allen Screed Concrete Paver. Fueling and greasing (Primary Operator with Specialized CDL Endorsement Add \$3.00/ hour), compact cranes; track or rubber under 4,000 pounds.

Class 6 - Master Mechanic

Class 7 - Boom & Jib 150 - 180 feet

Class 8 - Boom & Jib 180 - 249 feet

Class 9 - Boom & Jib 250 - or over

# Prevailing Wage Rate Skilled Crafts

Name of Union: Operating Engineers - HevHwy Zone II

Change # : LCN01-2020fbLoc18hevhwyl

Craft : Operating Engineer Effective Date : 05/14/2020 Last Posted : 05/14/2020

	BHR		Fringe Benefit Payments					Irrevocable Fund		Total PWR	Overtime Rate	
			H&W	Pension	App Tr.	Vac.	Annuity	Other	LECET (*)			MISC (*)
Classification												
Operator Class 1	\$38.24		\$8.51	\$6.00	\$0.85	\$0.00	\$0.00	\$0.09	\$0.00	\$0.00	\$53.69	\$72.81
Class 2	\$38.12		\$8.51	\$6.00	\$0.85	\$0.00	\$0.00	\$0.09	\$0.00	\$0.00	\$53.57	\$72.63
Class 3	\$37.08		\$8.51	\$6.00	\$0.85	\$0.00	\$0.00	\$0.09	\$0.00	\$0.00	\$52.53	\$71.07
Class 4	\$35.90		\$8.51	\$6.00	\$0.85	\$0.00	\$0.00	\$0.09	\$0.00	\$0.00	\$51.35	\$69.30
Class 5	\$30.44		\$8.51	\$6.00	\$0.85	\$0.00	\$0.00	\$0.09	\$0.00	\$0.00	\$45.89	\$61.11
Class 6	\$38.49		\$8.51	\$6.00	\$0.85	\$0.00	\$0.00	\$0.09	\$0.00	\$0.00	\$53.94	\$73.18
<b>Apprentice</b>	<b>Percent</b>											
1st Year	50.00	\$19.12	\$8.51	\$6.00	\$0.85	\$0.00	\$0.00	\$0.09	\$0.00	\$0.00	\$34.57	\$44.13
2nd Year	60.00	\$22.94	\$8.51	\$6.00	\$0.85	\$0.00	\$0.00	\$0.09	\$0.00	\$0.00	\$38.39	\$49.87
3rd Year	70.00	\$26.77	\$8.51	\$6.00	\$0.85	\$0.00	\$0.00	\$0.09	\$0.00	\$0.00	\$42.22	\$55.60
4th Year	80.00	\$30.59	\$8.51	\$6.00	\$0.85	\$0.00	\$0.00	\$0.09	\$0.00	\$0.00	\$46.04	\$61.34
Field Mech Trainee Class 2												
1st year	49.85	\$19.06	\$8.51	\$6.00	\$0.85	\$0.00	\$0.00	\$0.09	\$0.00	\$0.00	\$34.51	\$44.04
2nd year	59.80	\$22.87	\$8.51	\$6.00	\$0.85	\$0.00	\$0.00	\$0.09	\$0.00	\$0.00	\$38.32	\$49.75
3rd year	69.77	\$26.68	\$8.51	\$6.00	\$0.85	\$0.00	\$0.00	\$0.09	\$0.00	\$0.00	\$42.13	\$55.47
4th year	79.75	\$30.50	\$8.51	\$6.00	\$0.85	\$0.00	\$0.00	\$0.09	\$0.00	\$0.00	\$45.95	\$61.19

**Special Calculation Note :** Other: Education & Safety Fund is \$0.09 per hour.

**Ratio :**

For every (3) Operating Engineer Journeymen employed by the company , there may be employed (1) Registered Apprentice or Trainee Engineer through the referral when they are available. An apprentice, while employed as part of a crew per Article VIII paragraph 65, will not be subject the apprenticeship ratios in this collective bargaining agreement.

**Jurisdiction ( \* denotes special jurisdictional note ) :**

ADAMS, ALLEN, ASHLAND, ATHENS, AUGLAIZE, BELMONT, BROWN, BUTLER, CARROLL, CHAMPAIGN, CLARK, CLERMONT, CLINTON, COSHOCTON, CRAWFORD, DARKE, DEFIANCE, DELAWARE, FAIRFIELD, FAYETTE, FRANKLIN, FULTON, GALLIA, GREENE, GUERNSEY, HAMILTON, HANCOCK, HARDIN, HARRISON, HENRY, HIGHLAND, HOCKING, HOLMES, HURON, JACKSON, JEFFERSON, KNOX, LAWRENCE, LICKING, LOGAN, LUCAS,

MADISON, MARION, MEIGS, MERCER, MIAMI, MONROE, MONTGOMERY, MORGAN, MORROW, MUSKINGUM, NOBLE, OTTAWA, PAULDING, PERRY, PICKAWAY, PIKE, PREBLE, PUTNAM, RICHLAND, ROSS, SANDUSKY, SCIOTO, SENECA, SHELBY, STARK, TUSCARAWAS, UNION, VAN WERT, VINTON, WARREN, WASHINGTON, WAYNE, WILLIAMS, WOOD, WYANDOT

### Special Jurisdictional Note :

#### Details :

\*\*Apprentices will receive a 10% increase on top of the percentages listed above provided they are operating mobile equipment. Mechanic Trainees will receive 10% increase if they are required to have CDL.

Class 1 - Air Compressors on Steel Erection; Barrier Moving Machine; Boiler Operators, on Compressors or Generators, when mounted on a rig: Cableways, Combination Concrete mixers & Towers; Concrete Pumps; Concrete Plants ( over 4 yd capacity); Cranes (all types, including Boom Trucks, Cherry Pickers); Derricks; Draglines, Dredgers (dipper, clam or suction); Elevating Graders or Euclid Loaders; Floating Equipment (all types); Gradalls, Helicopter Crew (Operator- hoist or winch); Hoes (all types); Hoisting Engines, on shaft or tunnel work; Hydraulic Gantry (lifting system); Industrial - Type Tractors; Jet Engine Dryers (D8 or D9), Diesel Tractors; Locomotives (standard gage); Maintenance Operators (class A); Mixers, paving (single or double drum); Mucking Machines; Multiple Scrapers; Piledriving Machines (all types); Power Shovels, Prentice Loader; Quad 9 (double pusher); Rail Tamper (with automatic lifting and aligning device); Refrigerating Machines (freezer operation); Side Booms; Slip Form Pavers; Tower Dericks; Tree Shredders; Truck Mounted Concrete Pumps; Tug Boats; Tunnel Machines and /or Mining Machines; Wheel Excavators. Rough Terrain Fork-lift with Winch/Hoist; Compact Cranes, track rubber over 4,000 pound capacity, self-erecting cranes; stationary, track or truck (all configurations) Bucket trench machines (over 24 inches wide).

Class 2 - Asphalt Pavers; Automatic Subgrade Machines, self-propelled (CMI-type); Bobcat-type and /or skid steer loader with hoe attachment greater than 7000 lbs.; Boring Machine Operators (more than 48 inches); Bulldozers; Endloaders; Hydro Milling Machine; Kolman-type Loaders (production type-dirt); Lead Greasemen; Maintenance Operators, Class B (Portage and Summit Counties only); Pettibone-Rail Equipment; Power Graders; Power Scrapers; Push Cats; Lighting and Traffic Signal Installation Equipment includes all groups or classifications; Trench Machines (24inch wide and under); Vermeer Type Concrete saw. Material Transfer Equipment (Shuttle buggy) Asphalt; All rotomills,grinders and planers of all types. Horizontal Directional Drill (Over 50,000 ft.lbs.thrust and over)

Class 3 - A-Frames; Air Compressors, on tunnel work (low Pressure); Asphalt Plant Engineers; Bobcat-type and/or skid steer loader with or without attachments; Power Boilers (15 lbs pressure and over); Highway Drills (all types); Rollers, asphalt; Pump Operators (installing or operating well Points); Pumps (4 inch and over discharge); Railroad Tie Inserter/Remover; Rotator (lime-soil Stabilizer), Switch & Tie Tampers (without lifting and aligning device); Locomotives (narrow gage); Mixers, concrete (more than one bag capacity); Mixers, one bag capacity (side loader); Utilities Operators, (small equipment); Welding Machines; Material hoist/elevators. Articulating/straight bed end dumps if assigned (minus \$4.00 per hour).

Class 4 -Ballast Re-locator; Backfillers, Batch Plants; Bar and Joint Installing Machines; Boring Machine Operators (48 inch or less); Bull Floats; Burlap and Curing Machines; Concrete Plants (capacity 4 yd and under); Conveyors (highway); Concrete Saws (multiple); Crushers; Deckhands; Farm type tractors, with attachments (highway), except masonry; Finishing Machines; Firemen, Floating Equipment (all types); Fork Lifts (highway); Form Trenchers; Hydro Hammers; Hydro Seeders; Pavement Breakers; Plant Mixers; Post Drivers; Post Hole Diggers (power auger); Power Brush Burners; Power Form Handling Equipment; Road Widening Trenchers; Rollers (brick, grade, macadam); Self-Propelled Power Spreaders; Self-Propelled Sub-

Graders; Tractors, pulling sheepsfoot rollers or graders; Steam Firemen; Vibratory Compactors, with integral power.

Class 5 - Compressors (portable, Sewer, Heavy and Highway); Generators; Inboard-Outboard Motor Boat Launches; Masonry Fork Lifts; Oilers/Helpers; Power Driven Heaters; Power Scrubbers; Power Sweepers; Pumps (under 4 inch discharge); Signalmen; Drum Fireman (in Asphalt Plant); Oil Heaters (Asphalt Plant); Tire Repairmen; VAC/ALLS; Fueling and greasing (Primary Operator with Specialized CDL Endorsement Add \$3.00/ hour), compact cranes: track or rubber under 4,000 pounds.

Class 6 - Master Mechanic

# Prevailing Wage Rate Skilled Crafts

Name of Union: Painter Locals 123 & 238

Change # : LCR01-2020fbLoc123-238

Craft : Drywall Finisher Effective Date : 05/14/2020 Last Posted : 05/14/2020

	BHR	Fringe Benefit Payments						Irrevocable Fund		Total PWR	Overtime Rate
		H&W	Pension	App Tr.	Vac.	Annuity	Other	LECET (*)	MISC (*)		
Classification											
Painter Drywall Finisher	\$25.30	\$5.69	\$5.40	\$0.31	\$0.00	\$0.00	\$0.00	\$0.00	\$0.00	\$36.70	\$49.35
Tapers and Finishers	\$25.30	\$5.69	\$5.40	\$0.31	\$0.00	\$0.00	\$0.00	\$0.00	\$0.00	\$36.70	\$49.35
Apprentice											
1st Year	\$14.19	\$5.69	\$2.30	\$0.31	\$0.00	\$0.00	\$0.00	\$0.00	\$0.00	\$22.49	\$29.58
2nd Year	\$16.88	\$5.69	\$2.30	\$0.31	\$0.00	\$0.00	\$0.00	\$0.00	\$0.00	\$25.18	\$33.62
3rd Year	\$19.57	\$5.69	\$2.30	\$0.31	\$0.00	\$0.00	\$0.00	\$0.00	\$0.00	\$27.87	\$37.66
4th Year	\$20.92	\$5.69	\$2.30	\$0.31	\$0.00	\$0.00	\$0.00	\$0.00	\$0.00	\$29.22	\$39.68

**Special Calculation Note :** Apprentices shall be paid the proper % of the classification above.

## Ratio :

1 Journeyman to 1 Apprentice per job

## Jurisdiction ( \* denotes special jurisdictional note ) :

BROWN, BUTLER, CLERMONT, CLINTON, HAMILTON, WARREN

## Special Jurisdictional Note :

### Details :

Industrial Work paid as commercial work above for each class which includes, Industrial Plants, repair garages, processing plants, storage tanks, warehouses, skeletons structures, bridges unless highest point of clearance is 60 feet or more whether new or old construction offices and office buildings in industrial sites are at industrial rates. Heavy & Highway Bridges-Guard Rails- Light Poles. A hazardous steeplejack rate shall apply on radio towers, stacks, light towers, water towers, steeples, skeleton steel, and exterior industrial conveyors over 25 feet, where such items require steeplejack methods and the rate of pay shall be a \$1.00 per hour above the industrial rate. Steeplejack rate to apply to bridges where highest point of clearance is 60 feet.

# Prevailing Wage Rate Skilled Crafts

Name of Union: Painter Locals 123 & 238  
Commercial & Industrial

Change # : LCR01-2020fbLoc123

Craft : Painter Effective Date : 05/14/2020 Last Posted : 05/14/2020

	BHR	Fringe Benefit Payments						Irrevocable Fund		Total PWR	Overtime Rate
		H&W	Pension	App Tr.	Vac.	Annuity	Other	LECET (*)	MISC (*)		
Classification											
Painter Brush Roll	\$25.30	\$5.69	\$5.40	\$0.31	\$0.00	\$0.00	\$0.00	\$0.00	\$0.00	\$36.70	\$49.35
Paper Hanger	\$25.30	\$5.69	\$5.40	\$0.31	\$0.00	\$0.00	\$0.00	\$0.00	\$0.00	\$36.70	\$49.35
Spray Painter	\$25.80	\$5.69	\$5.40	\$0.31	\$0.00	\$0.00	\$0.00	\$0.00	\$0.00	\$37.20	\$50.10
Sand Blaster Water Blaster	\$26.05	\$5.69	\$5.40	\$0.31	\$0.00	\$0.00	\$0.00	\$0.00	\$0.00	\$37.45	\$50.48
Elevated Tanks	\$26.30	\$5.69	\$5.40	\$0.31	\$0.00	\$0.00	\$0.00	\$0.00	\$0.00	\$37.70	\$50.85
Apprentice											
1st Year	\$14.19	\$5.69	\$2.30	\$0.31	\$0.00	\$0.00	\$0.00	\$0.00	\$0.00	\$22.49	\$29.58
2nd Year	\$16.88	\$5.69	\$2.30	\$0.31	\$0.00	\$0.00	\$0.00	\$0.00	\$0.00	\$25.18	\$33.62
3rd Year	\$19.57	\$5.69	\$2.30	\$0.31	\$0.00	\$0.00	\$0.00	\$0.00	\$0.00	\$27.87	\$37.66
4th Year	\$20.92	\$5.69	\$2.30	\$0.31	\$0.00	\$0.00	\$0.00	\$0.00	\$0.00	\$29.22	\$39.68

**Special Calculation Note :** Apprentices shall be paid the proper % of the classification above.

**Ratio :**

(1) Journeymen to (1) Apprentice per jobsite

**Jurisdiction ( \* denotes special jurisdictional note ) :**

BROWN, BUTLER, CLERMONT, CLINTON, HAMILTON, WARREN

**Special Jurisdictional Note :**

**Details :**

Industrial Work paid as commercial work above for each class which includes, Industrial Plants, repair garages, processing plants, storage tanks, warehouses, skeletons structures, bridges unless highest point of clearance is 60 feet or more whether new or old construction offices and office buildings in industrial sites are at industrial rates. Heavy & Highway Bridges-Guard Rails- Light Poles. A hazardous steeplejack rate shall apply on radio towers, stacks, light towers, water towers, steeples, skeleton steel, and exterior industrial conveyors over 25 feet, where such items require steeplejack methods and the rate of pay shall be a \$1.00 per hour above the



industrial rate. Steeplejack rate to apply to bridges where highest point of clearance is 60 feet.

# Prevailing Wage Rate

## Skilled Crafts

Name of Union: Painter Local 123 & 238 Hvy Hwy

Change # : LCR01-2020fbLoc123

Craft : Painter Effective Date : 05/14/2020 Last Posted : 05/14/2020

	BHR	Fringe Benefit Payments						Irrevocable Fund		Total PWR	Overtime Rate
		H&W	Pension	App Tr.	Vac.	Annuity	Other	LECET (*)	MISC (*)		
Classification											
Painter Bridge Class 1	\$33.00	\$5.69	\$5.40	\$0.31	\$0.00	\$0.00	\$0.00	\$0.00	\$0.00	\$44.40	\$60.90
Bridge Painter, Rigger, Containment Builder, Spot Blaster Class 2	\$27.00	\$5.69	\$5.40	\$0.31	\$0.00	\$0.00	\$0.00	\$0.00	\$0.00	\$38.40	\$51.90
Equipment Operator/Field Mechanic, Grit Reclamation, Paint Mixer, Traffic Control, Boat Person Class 3	\$27.00	\$5.69	\$5.40	\$0.31	\$0.00	\$0.00	\$0.00	\$0.00	\$0.00	\$38.40	\$51.90
Concrete Sealing, Concrete Blasting/Power Washing, Etc. Class 4	\$27.00	\$5.69	\$5.40	\$0.31	\$0.00	\$0.00	\$0.00	\$0.00	\$0.00	\$38.40	\$51.90
Quality Control/Quality Assurance, Traffic Safety, Competent Person Class 5	\$26.00	\$5.69	\$5.40	\$0.31	\$0.00	\$0.00	\$0.00	\$0.00	\$0.00	\$37.40	\$50.40
Apprentice											
1st Year	\$17.13	\$5.69	\$2.30	\$0.31	\$0.00	\$0.00	\$0.00	\$0.00	\$0.00	\$25.43	\$34.00
2nd Year	\$20.25	\$5.69	\$2.30	\$0.31	\$0.00	\$0.00	\$0.00	\$0.00	\$0.00	\$28.55	\$38.67
3rd Year	\$23.36	\$5.69	\$2.30	\$0.31	\$0.00	\$0.00	\$0.00	\$0.00	\$0.00	\$31.66	\$43.34
4th Year	\$24.92	\$5.69	\$2.30	\$0.31	\$0.00	\$0.00	\$0.00	\$0.00	\$0.00	\$33.22	\$45.68

**Special Calculation Note** : Apprentices shall be paid proper % of the classification above..

**Ratio :**

**Jurisdiction ( \* denotes special jurisdictional note ) :**

1 Journeyman to 1 Apprentice

BROWN, BUTLER, CLERMONT, CLINTON,  
HAMILTON, WARREN

### **Special Jurisdictional Note :**

#### **Details :**

Industrial Work paid as commercial work above for each class which includes, Industrial Plants, repair garages, processing plants, storage tanks, warehouses, skeletons structures, bridges unless highest point of clearance is 60 feet or more whether new or old construction offices and office buildings in industrial sites are at industrial rates. Heavy & Highway Bridges-Guard Rails- Light Poles. A hazardous steeplejack rate shall apply on radio towers, stacks, light towers, water towers, steeples, skeleton steel, and exterior industrial conveyors over 25 feet, where such items require steeplejack methods and the rate of pay shall be a \$1.00 per hour above the industrial rate. Steeplejack rate to apply to bridges where highest point of clearance is 60 feet.

Class 1 – Abrasive blasting of any kind.

Class 2 – Bridge painting, coating application of any kind. All steel surface preparation other than abrasive blasting. All necessary rigging and containment building. All remedial/ spot blasting.

Class 3 – Tend to all equipment including but not limited to abrasive blasting, power washing, spray painting, forklifts, hoists, trucks, etc. Load and unload trucks, handle materials, man safety boats, handle traffic control, clean up/ vacuum abrasive blast materials and related tasks.

Class 4 – All aspects of concrete coating/ sealing including but not limited to preparation, containment, etc.

Class 5 – Verify and record that all work is completed according to job specifications. Assure that all health and safety standards are adhered to. Assure all traffic is safely handled.

# Prevailing Wage Rate Skilled Crafts

Name of Union: Painter Local 639

Change # : LCNO1-2015fbLoc639

Craft : Painter Effective Date : 06/10/2015 Last Posted : 06/10/2015

	BHR	Fringe Benefit Payments						Irrevocable Fund		Total PWR	Overtime Rate
		H&W	Pension	App Tr.	Vac.	Annuity	Other	LECET (*)	MISC (*)		
Classification											
Painter Metal Finisher/Helpers											
Top Helper Class A	\$19.09	\$3.65	\$0.00	\$0.00	\$0.66	\$0.00	\$0.00	\$0.00	\$0.00	\$23.40	\$32.94
Top Helper Class B	\$19.09	\$3.65	\$0.65	\$0.00	\$1.03	\$0.00	\$0.37	\$0.00	\$0.00	\$24.79	\$34.33
Top Helper Class C	\$19.09	\$3.65	\$1.00	\$0.00	\$1.76	\$0.00	\$0.37	\$0.00	\$0.00	\$25.87	\$35.41
Helper Class A	\$14.69	\$3.65	\$0.00	\$0.00	\$0.51	\$0.00	\$0.00	\$0.00	\$0.00	\$18.85	\$26.19
Helper Class B	\$14.69	\$3.65	\$0.65	\$0.00	\$0.79	\$0.00	\$0.28	\$0.00	\$0.00	\$20.06	\$27.40
Helper Class C	\$14.69	\$3.65	\$1.00	\$0.00	\$1.64	\$0.00	\$0.28	\$0.00	\$0.00	\$21.26	\$28.60
New Hire 90 Days	\$11.00	\$3.65	\$0.00	\$0.00	\$0.00	\$0.00	\$0.00	\$0.00	\$0.00	\$14.65	\$20.15

**Special Calculation Note :** Other is Sick and Personal Time

**Ratio :**

**Jurisdiction ( \* denotes special jurisdictional note ) :**

ADAMS, ALLEN, ASHLAND, ASHTABULA, ATHENS, AUGLAIZE, BELMONT, BROWN, BUTLER, CARROLL, CHAMPAIGN, CLARK, CLERMONT, CLINTON, COLUMBIANA, COSHOCTON, CRAWFORD, CUYAHOGA, DARKE, DEFIANCE, DELAWARE, ERIE, FAIRFIELD, FAYETTE, FRANKLIN, FULTON, GALLIA, GEauga, GREENE, GUERNSEY, HAMILTON, HANCOCK, HARDIN, HARRISON, HENRY, HIGHLAND, HOCKING, HOLMES, HURON, JACKSON, JEFFERSON, KNOX, LAKE, LAWRENCE, LICKING, LOGAN, LORAIN, LUCAS, MADISON, MAHONING, MARION, MEDINA, MEIGS, MERCER, MIAMI, MONROE, MONTGOMERY, MORGAN, MORROW, MUSKINGUM, NOBLE, OTTAWA, PAULDING, PERRY, PICKAWAY, PIKE, PORTAGE, PREBLE, PUTNAM, RICHLAND, ROSS, SANDUSKY,

SCIOTO, SENECA, SHELBY, STARK, SUMMIT,  
TRUMBULL, TUSCARAWAS, UNION, VAN  
WERT, VINTON, WARREN, WASHINGTON,  
WAYNE, WILLIAMS, WOOD, WYANDOT

**Special Jurisdictional Note :**

**Details :**

Top Helper: Shall perform the responsibilities of a Helper and be responsible for the setup, break down, safety and quality of the company's product.

Helper : Shall be responsible for performing tasks in refinishing, compliance with safety procedures, setting up and breaking down job sites, scaffolding and swing stages and preparing surfaces for refinishing including but not limited to, masking and stripping and cleaning, oxidizing, polishing and scratch removal on various surfaces

Class A Workers: Less than 1 Year of Service.

Class B Workers: More than 1 and less than 8 Years of Service.

Class C Workers: More than 8 Years of Service.

Metal Polisher Scope of Work: Polishing, buffing, stripping, coloring, lacquering, spraying, cleaning and maintenance of ornamental and architectural metals, iron, bronze, nickel, aluminum and stainless steel and in mental specialty work, various stone finishes, stone specialty work and any other work pertaining to the finishing of metal, stones, woods, and any window washing/cleaning done in conjunction with this work, using chemicals, solvents, coatings and hand applied lacquer thinner, removing scratches from mirror finished metals, burnishing of bronze, statuary finishes on exterior and interior surfaces and the use of all tools required to perform such work, including but not limited to polishes, spray equipment and scaffolding.

Swing State Rate: All work on scaffold 4 sections or higher, including any boom lifts and swing stage scaffolds including the rigging and derigging of hanging/suspended swing stage systems and rappelling/bolson chair work, ADD \$1.50 per hour.

# Prevailing Wage Rate Skilled Crafts

Name of Union: Painter Local 639 Zone 2 Sign

Change # : LCN01-2016fbLoc639

Craft : Painter Effective Date : 08/03/2016 Last Posted : 08/03/2016

Classification	BHR	Fringe Benefit Payments						Irrevocable Fund		Total PWR	Overtime Rate
		H&W	Pension	App Tr.	Vac.	Annuity	Other	LECET (*)	MISC (*)		
Painter Sign Journeyman Tech/Team Leader Class A	\$21.25	\$1.33	\$0.14	\$0.00	\$0.00	\$0.00	\$0.57	\$0.00	\$0.00	\$23.29	\$33.92
Painter Sign Journeyman Tech/Team Leader Class B	\$21.25	\$1.33	\$0.14	\$0.00	\$0.41	\$0.00	\$0.57	\$0.00	\$0.00	\$23.70	\$34.32
Painter Sign Journeyman Tech/Team Leader Class C	\$21.25	\$1.33	\$0.14	\$0.00	\$0.82	\$0.00	\$0.57	\$0.00	\$0.00	\$24.11	\$34.74
Painter Sign Journeyman Tech/Team Leader Class D	\$21.25	\$1.33	\$0.14	\$0.00	\$1.23	\$0.00	\$0.57	\$0.00	\$0.00	\$24.52	\$35.14
Sign Journeyman Class A	\$20.98	\$1.33	\$0.14	\$0.00	\$0.00	\$0.00	\$0.56	\$0.00	\$0.00	\$23.01	\$33.50
Sign Journeyman Class B	\$20.98	\$1.33	\$0.14	\$0.00	\$0.40	\$0.00	\$0.56	\$0.00	\$0.00	\$23.41	\$33.90
Sign Journeyman Class C	\$20.98	\$1.33	\$0.14	\$0.00	\$0.81	\$0.00	\$0.56	\$0.00	\$0.00	\$23.82	\$34.31
Sign Journeyman Class D	\$20.98	\$1.33	\$0.14	\$0.00	\$1.21	\$0.00	\$0.56	\$0.00	\$0.00	\$24.22	\$34.71
Tech Sign Fabrication/ Erector Class A	\$15.90	\$1.33	\$0.14	\$0.00	\$0.00	\$0.00	\$0.43	\$0.00	\$0.00	\$17.80	\$25.75
Tech Sign Fabrication/ Erector Class B	\$15.90	\$1.33	\$0.14	\$0.00	\$0.31	\$0.00	\$0.43	\$0.00	\$0.00	\$18.11	\$26.06
Tech Sign Fabrication/ Erector Class C	\$15.90	\$1.33	\$0.14	\$0.00	\$0.61	\$0.00	\$0.43	\$0.00	\$0.00	\$18.41	\$26.36
Tech Sign Fabrication/ Erector Class D	\$15.90	\$1.33	\$0.14	\$0.00	\$0.92	\$0.00	\$0.43	\$0.00	\$0.00	\$18.72	\$26.67

**Special Calculation Note :** Other is for paid holidays.

**Ratio :**

**Jurisdiction ( \* denotes special jurisdictional note ) :**  
ADAMS, ALLEN, AUGLAIZE, BROWN, BUTLER,  
CARROLL, CHAMPAIGN, CLARK, CLERMONT, CLINTON,  
COLUMBIANA, COSHOCTON, CRAWFORD, DARKE,  
DEFIANCE, DELAWARE, ERIE, FAIRFIELD, FAYETTE,  
FRANKLIN, FULTON, GREENE, HAMILTON, HANCOCK,  
HARDIN, HENRY, HIGHLAND, HOLMES, HURON,  
JACKSON, KNOX, LICKING, LOGAN, LORAIN, LUCAS,  
MADISON, MAHONING, MARION, MERCER, MIAMI,  
MONTGOMERY, MORROW, MUSKINGUM, OTTAWA,  
PAULDING, PERRY, PICKAWAY, PIKE, PREBLE,  
PUTNAM, ROSS, SANDUSKY, SCIOTO, SENECA,  
SHELBY, STARK, TRUMBULL, TUSCARAWAS, UNION,  
VAN WERT, WARREN, WAYNE, WILLIAMS, WOOD,  
WYANDOT

**Special Jurisdictional Note :**

**Details :**

Class A: less than 1 year.

Class B: 1-3 years.

Class C: 3-10 years.

Class D: More than 10 years.

# Prevailing Wage Rate Skilled Crafts

Name of Union: Plasterer Local 132 (Cincinnati)

Change # : LCN01-2016fbLoc132

Craft : Plasterer Effective Date : 06/24/2016 Last Posted : 06/24/2016

	BHR		Fringe Benefit Payments					Irrevocable Fund		Total PWR	Overtime Rate	
			H&W	Pension	App Tr.	Vac.	Annuity	Other	LECET (*)			MISC (*)
Classification												
Plasterer	\$23.61		\$5.59	\$6.15	\$0.50	\$0.00	\$0.60	\$0.00	\$0.00	\$0.00	\$36.45	\$48.25
Apprentice	Percent											
1st 900 hours	55.00	\$12.99	\$5.59	\$0.00	\$0.50	\$0.00	\$0.60	\$0.00	\$0.00	\$0.00	\$19.68	\$26.17
2nd 900 hours	60.00	\$14.17	\$5.59	\$0.00	\$0.50	\$0.00	\$0.60	\$0.00	\$0.00	\$0.00	\$20.86	\$27.94
3rd 900 hours	65.00	\$15.35	\$5.59	\$6.15	\$0.50	\$0.00	\$0.60	\$0.00	\$0.00	\$0.00	\$28.19	\$35.86
4th 900 hours	70.00	\$16.53	\$5.59	\$6.15	\$0.50	\$0.00	\$0.60	\$0.00	\$0.00	\$0.00	\$29.37	\$37.63
5th 900 hours	80.00	\$18.89	\$5.59	\$6.15	\$0.50	\$0.00	\$0.60	\$0.00	\$0.00	\$0.00	\$31.73	\$41.17
6th 900 hours	85.00	\$20.07	\$5.59	\$6.15	\$0.50	\$0.00	\$0.60	\$0.00	\$0.00	\$0.00	\$32.91	\$42.94
7th 900 hours	90.00	\$21.25	\$5.59	\$6.15	\$0.50	\$0.00	\$0.60	\$0.00	\$0.00	\$0.00	\$34.09	\$44.71
8th 900 hours	95.00	\$22.43	\$5.59	\$6.15	\$0.50	\$0.00	\$0.60	\$0.00	\$0.00	\$0.00	\$35.27	\$46.48

**Special Calculation Note :** No special calculations for this skilled craft wage rate are required at this time.

**Ratio :**

- 1 Journeyman to 1 Apprentice
- 4 Journeyman to 2 Apprentice
- 7 Journeyman to 3 Apprentice

**Jurisdiction ( \* denotes special jurisdictional note ) :**

BROWN, BUTLER, CLERMONT, HAMILTON,  
HIGHLAND, WARREN

**Special Jurisdictional Note :**

**Details :**

Apprentice and Shop Hand Pension are \$1.00 less than Journeyman.



# Prevailing Wage Rate Skilled Crafts

Name of Union: Plumber Pipefitter Local 392

Change # : LCN01-2019-fbLoc392

Craft : Plumber/Pipefitter Effective Date : 06/05/2019 Last Posted : 06/05/2019

	BHR		Fringe Benefit Payments						Irrevocable Fund		Total PWR	Overtime Rate
			H&W	Pension	App Tr.	Vac.	Annuity	Other	LECET (*)	MISC (*)		
Classification												
Plumber Pipefitter	\$32.81		\$7.40	\$12.39	\$0.50	\$0.00	\$0.00	\$0.98	\$0.00	\$0.00	\$54.08	\$70.48
Plumber Helper	\$21.33		\$7.30	\$6.59	\$0.50	\$0.00	\$0.00	\$0.00	\$0.00	\$0.00	\$35.72	\$46.38
Apprentice	Percent											
1st yr	46.50	\$15.26	\$7.20	\$0.40	\$0.50	\$0.00	\$0.00	\$0.48	\$0.00	\$0.00	\$23.84	\$31.46
2nd yr	51.53	\$16.91	\$7.20	\$0.40	\$0.50	\$0.00	\$0.00	\$0.48	\$0.00	\$0.00	\$25.49	\$33.94
3rd yr	56.53	\$18.55	\$7.20	\$6.59	\$0.50	\$0.00	\$0.00	\$0.48	\$0.00	\$0.00	\$33.32	\$42.59
4th yr	61.53	\$20.19	\$7.20	\$6.59	\$0.50	\$0.00	\$0.00	\$0.48	\$0.00	\$0.00	\$34.96	\$45.05
5th yr	76.53	\$25.11	\$7.20	\$12.39	\$0.50	\$0.00	\$0.00	\$0.48	\$0.00	\$0.00	\$45.68	\$58.23

**Special Calculation Note** : OTHER IS: SUPPLEMENTAL UNEMPLOYMENT BENEFITS.

**Ratio :**

- 1 Journeymen to 1 Apprentice
- 2 Journeymen to 4 Apprentices
- 3 Journeymen to 6 Apprentices

**Jurisdiction ( \* denotes special jurisdictional note ) :**

BROWN, BUTLER, CLERMONT, HAMILTON, WARREN

When more than twenty (20) Journeymen are employed additional apprentices may be acquired at a ratio of one (1) apprentice to four (4) journeymen.

**Special Jurisdictional Note :**

**Details :**

Helpers shall be permitted to work on ONLY , Exterior Sewers, Concrete, Vitrified Clay or PVC Pipe and Digging and Backfilling for Piping Work. The ratio shall not exceed 2 helpers to 1 Journeymen when performing the scope of work listed above

# Prevailing Wage Rate Skilled Crafts

Name of Union: Roofer Local 42

Change # : LCNO2-2019fbLoc42

Craft : Roofer Effective Date : 09/19/2019 Last Posted : 09/19/2019

	BHR		Fringe Benefit Payments					Irrevocable Fund		Total PWR	Overtime Rate	
			H&W	Pension	App Tr.	Vac.	Annuity	Other	LECET (*)			MISC (*)
<b>Classification</b>												
Roofer	\$28.25		\$7.87	\$7.55	\$0.32	\$0.00	\$0.50	\$0.06	\$0.00	\$0.00	\$44.55	\$58.67
Tradesmen	\$22.60		\$7.87	\$6.04	\$0.00	\$0.00	\$0.50	\$0.03	\$0.00	\$0.00	\$37.04	\$48.34
<b>Apprentice</b>	<b>Percent</b>											
1st period	60.00	\$16.95	\$7.87	\$4.53	\$0.03	\$0.00	\$0.50	\$0.00	\$0.00	\$0.00	\$29.88	\$38.35
2nd period	70.00	\$19.77	\$7.87	\$5.28	\$0.03	\$0.00	\$0.50	\$0.00	\$0.00	\$0.00	\$33.46	\$43.34
3rd period	80.00	\$22.60	\$7.87	\$6.04	\$0.03	\$0.00	\$0.50	\$0.00	\$0.00	\$0.00	\$37.04	\$48.34

**Special Calculation Note :** Other is Education and Safety.

Journeymen shall receive \$1.00 per hour above journeyman rate for work with pitch material.

**Ratio :**

Employer may employ 1 apprentice for every 2 journeymen in his employment.

**Jurisdiction ( \* denotes special jurisdictional note ) :**

ADAMS, BROWN, BUTLER, CLERMONT, HAMILTON, HIGHLAND, WARREN

**Special Jurisdictional Note :**

**Details :**

Any Tradesman Worker completing 2,000 hours in (2) years may move to Journeyman status by utilizing the Training Yard to improve their skills. Tradesman Workers will be tested at these yards to determine their competency for Journeyman status. Tradesman Workers must schedule and successfully complete the industry test battery in order to gain journeyman status.

# Prevailing Wage Rate Skilled Crafts

Name of Union: Sheet Metal Local 24 (Dayton)

Change # : LCR02-2019fbLoc24(Day)

Craft : Sheet Metal Worker Effective Date : 06/19/2019 Last Posted : 06/19/2019

	BHR		Fringe Benefit Payments					Irrevocable Fund		Total PWR	Overtime Rate	
			H&W	Pension	App Tr.	Vac.	Annuity	Other	LECET (*)			MISC (*)
Classification												
Sheet Metal Worker	\$27.72		\$8.52	\$14.46	\$0.85	\$0.00	\$0.00	\$0.00	\$0.00	\$0.00	\$51.55	\$65.41
Apprentice	Percent											
Apprentice												
5th Year B	80.00	\$22.18	\$8.26	\$11.56	\$0.85	\$0.00	\$0.00	\$0.00	\$0.00	\$0.00	\$42.85	\$53.93
5th Year A	75.00	\$20.79	\$8.20	\$10.85	\$0.85	\$0.00	\$0.00	\$0.00	\$0.00	\$0.00	\$40.69	\$51.09
4th Year B	70.00	\$19.40	\$8.13	\$10.13	\$0.85	\$0.00	\$0.00	\$0.00	\$0.00	\$0.00	\$38.51	\$48.22
4th Year A	65.00	\$18.02	\$8.07	\$9.40	\$0.85	\$0.00	\$0.00	\$0.00	\$0.00	\$0.00	\$36.34	\$45.35
3rd year B	60.00	\$16.63	\$8.01	\$8.68	\$0.85	\$0.00	\$0.00	\$0.00	\$0.00	\$0.00	\$34.17	\$42.49
3rd Year A	55.00	\$15.25	\$7.94	\$7.95	\$0.85	\$0.00	\$0.00	\$0.00	\$0.00	\$0.00	\$31.99	\$39.61
2 Year B	53.78	\$14.91	\$7.90	\$7.02	\$0.85	\$0.00	\$0.00	\$0.00	\$0.00	\$0.00	\$30.68	\$38.13
2 Year A	52.69	\$14.61	\$7.88	\$6.49	\$0.85	\$0.00	\$0.00	\$0.00	\$0.00	\$0.00	\$29.83	\$37.13
Probationary 1 Year	51.13	\$14.17	\$7.85	\$5.87	\$0.85	\$0.00	\$0.00	\$0.00	\$0.00	\$0.00	\$28.74	\$35.83

**Special Calculation Note :** No special calculations for this skilled craft wage rate are required at this time.

**Ratio :**

1 Journeyman to 1 Apprentice then,  
1 Apprentice for every 2 Journeymen thereafter

**Jurisdiction ( \* denotes special jurisdictional note ) :**

ALLEN, AUGLAIZE, BUTLER, CHAMPAIGN,  
CLARK, CLINTON, DARKE, GREENE, HARDIN,  
LOGAN, MERCER, MIAMI, MONTGOMERY,  
PREBLE, SHELBY, VAN WERT, WARREN,  
WYANDOT

**Special Jurisdictional Note :**

**Details :**

# Prevailing Wage Rate Skilled Crafts

Name of Union: Sprinkler Fitter Local 669

Change # : LCN01-2020fbLoc669

Craft : Sprinkler Fitter Effective Date : 04/08/2020 Last Posted : 04/08/2020

	BHR		Fringe Benefit Payments					Irrevocable Fund		Total PWR	Overtime Rate	
			H&W	Pension	App Tr.	Vac.	Annuity	Other	LECET (*)			MISC (*)
Classification												
Sprinkler Fitter	\$40.40		\$10.23	\$6.80	\$0.52	\$0.00	\$5.12	\$0.10	\$0.00	\$0.00	\$63.17	\$83.37
Apprentice Indentured after April 1, 2013	Percent											
CLASS 1	45.00	\$18.18	\$7.75	\$0.00	\$0.52	\$0.00	\$0.00	\$0.10	\$0.00	\$0.00	\$26.55	\$35.64
CLASS 2	50.00	\$20.20	\$7.75	\$0.00	\$0.52	\$0.00	\$0.00	\$0.10	\$0.00	\$0.00	\$28.57	\$38.67
CLASS 3	54.38	\$21.97	\$10.23	\$6.80	\$0.52	\$0.00	\$1.15	\$0.10	\$0.00	\$0.00	\$40.77	\$51.75
CLASS 4	59.38	\$23.99	\$10.23	\$6.80	\$0.52	\$0.00	\$1.15	\$0.10	\$0.00	\$0.00	\$42.79	\$54.78
CLASS 5	64.38	\$26.01	\$10.23	\$6.80	\$0.52	\$0.00	\$1.40	\$0.10	\$0.00	\$0.00	\$45.06	\$58.06
CLASS 6	69.38	\$28.03	\$10.23	\$6.80	\$0.52	\$0.00	\$1.40	\$0.10	\$0.00	\$0.00	\$47.08	\$61.09
CLASS 7	74.38	\$30.05	\$10.23	\$6.80	\$0.52	\$0.00	\$1.40	\$0.10	\$0.00	\$0.00	\$49.10	\$64.12
CLASS 8	79.38	\$32.07	\$10.23	\$6.80	\$0.52	\$0.00	\$1.40	\$0.10	\$0.00	\$0.00	\$51.12	\$67.15
CLASS 9	84.38	\$34.09	\$10.23	\$6.80	\$0.52	\$0.00	\$1.40	\$0.10	\$0.00	\$0.00	\$53.14	\$70.18
CLASS 10	89.38	\$36.11	\$10.23	\$6.80	\$0.52	\$0.00	\$1.40	\$0.10	\$0.00	\$0.00	\$55.16	\$73.21

**Special Calculation Note :** \$0.10 for Other is National Fire Sprinkler Association

## Ratio :

1 Journeyman to 1 Apprentice

## Jurisdiction ( \* denotes special jurisdictional note ) :

ADAMS, ALLEN, ASHLAND, ASHTABULA, ATHENS, AUGLAIZE, BELMONT, BROWN, BUTLER, CARROLL, CHAMPAIGN, CLARK, CLERMONT, CLINTON, COLUMBIANA, COSHOCTON, CRAWFORD, DARKE, DEFIANCE, DELAWARE, ERIE, FAIRFIELD, FAYETTE, FRANKLIN, FULTON, GALLIA, GREENE, GUERNSEY, HAMILTON, HANCOCK, HARDIN, HARRISON, HENRY, HIGHLAND, HOCKING, HOLMES, HURON, JACKSON, JEFFERSON, KNOX, LAWRENCE, LICKING, LOGAN, LUCAS, MADISON, MAHONING, MARION, MEDINA, MEIGS, MERCER, MIAMI, MONROE, MONTGOMERY, MORGAN, MORROW,

MUSKINGUM, NOBLE, OTTAWA, PAULDING,  
PERRY, PICKAWAY, PIKE, PORTAGE, PREBLE,  
PUTNAM, RICHLAND, ROSS, SANDUSKY,  
SCIOTO, SENECA, SHELBY, STARK, SUMMIT,  
TRUMBULL, TUSCARAWAS, UNION, VAN WERT,  
VINTON, WARREN, WASHINGTON, WAYNE,  
WILLIAMS, WOOD, WYANDOT

**Special Jurisdictional Note :**

**Details :**

Sprinkler Fitter work shall consist of the installation, dismantling, maintenance, repairs, adjustments, and corrections of all fire protection and fire control systems including the unloading, handling by hand, power equipment and installation of all piping or tubing, appurtenances and equipment pertaining thereto, including both overhead and underground water mains, fire hydrants and hydrant mains, standpipes and hose connections to sprinkler systems used in connection with sprinkler and alarm systems. Also all tanks and pumps connected thereto, also included shall be CO-2 and Cardox Systems, Dry Chemical Systems, Foam Systems and all other fire protection systems.

# Prevailing Wage Rate Skilled Crafts

Name of Union: Truck Driver Bldg & HevHwy Class 1  
Locals 20,40,92,92b,100,175,284,438,377,637,908,957

Change # : OCRO1-2019fbBldgHevHwy

Craft : Truck Driver Effective Date : 09/11/2019 Last Posted : 09/11/2019

	BHR		Fringe Benefit Payments					Irrevocable Fund		Total PWR	Overtime Rate	
			H&W	Pension	App Tr.	Vac.	Annuity	Other	LECET (*)			MISC (*)
Classification												
Truck Driver CLASS 1 4 wheel service, dump, and batch trucks, Oil Distributor - Asphalt Distributor-Tandems	\$28.04		\$7.00	\$7.90	\$0.20	\$0.00	\$0.00	\$0.00	\$0.00	\$0.00	\$43.14	\$57.16
Apprentice	Percent											
First 6 months	80.00	\$22.43	\$7.00	\$7.90	\$0.20	\$0.00	\$0.00	\$0.00	\$0.00	\$0.00	\$37.53	\$48.75
7-12 months	85.00	\$23.83	\$7.00	\$7.90	\$0.20	\$0.00	\$0.00	\$0.00	\$0.00	\$0.00	\$38.93	\$50.85
13-18 months	90.00	\$25.24	\$7.00	\$7.90	\$0.20	\$0.00	\$0.00	\$0.00	\$0.00	\$0.00	\$40.34	\$52.95
19-24 months	95.00	\$26.64	\$7.00	\$7.90	\$0.20	\$0.00	\$0.00	\$0.00	\$0.00	\$0.00	\$41.74	\$55.06
25-30 months	100.00	\$28.04	\$7.00	\$7.90	\$0.20	\$0.00	\$0.00	\$0.00	\$0.00	\$0.00	\$43.14	\$57.16

**Special Calculation Note :** No special calculations for this skilled craft wage rate are required at this time.

**Ratio :**

3 Journeymen to 1 Apprentice

**Jurisdiction ( \* denotes special jurisdictional note ) :**

ADAMS, ALLEN, ASHLAND, ASHTABULA, ATHENS, AUGLAIZE, BELMONT, BROWN, BUTLER, CARROLL, CHAMPAIGN, CLARK, CLERMONT, CLINTON, COLUMBIANA, COSHOCTON, CRAWFORD, DARKE, DEFIANCE, DELAWARE, ERIE, FAIRFIELD, FAYETTE, FRANKLIN, FULTON, GALLIA, GREENE, GUERNSEY, HAMILTON, HANCOCK, HARDIN,

HARRISON, HENRY, HIGHLAND, HOCKING,  
HOLMES, HURON, JACKSON, JEFFERSON,  
KNOX, LAWRENCE, LICKING, LOGAN,  
LORAIN, LUCAS, MADISON, MAHONING,  
MARION, MEDINA, MEIGS, MERCER, MIAMI,  
MONROE, MONTGOMERY, MORGAN,  
MORROW, MUSKINGUM, NOBLE, OTTAWA,  
PAULDING, PERRY, PICKAWAY, PIKE,  
PORTAGE, PREBLE, PUTNAM, RICHLAND,  
ROSS, SANDUSKY, SCIOTO, SENECA, SHELBY,  
STARK, SUMMIT, TRUMBULL, TUSCARAWAS,  
UNION, VAN WERT, VINTON, WARREN,  
WASHINGTON, WAYNE, WILLIAMS, WOOD,  
WYANDOT

**Special Jurisdictional Note :**

**Details :**

\*\* Asphalt - Oil spray bar man when operating from cab shall receive \$0.20 cents per hour above their Basic Hourly Rate.

# Prevailing Wage Rate Skilled Crafts

Name of Union: Truck Driver Bldg & HevHwy Class 2  
Locals 20,40,92,92b,100,175,284,438,377,637,908,957

Change # : LCRO1-2019-fbBldgHevHwy

Craft : Truck Driver Effective Date : 10/16/2019 Last Posted : 10/16/2019

	BHR		Fringe Benefit Payments					Irrevocable Fund		Total PWR	Overtime Rate	
			H&W	Pension	App Tr.	Vac.	Annuity	Other	LECET (*)			MISC (*)
<b>Classification</b>												
Truck Driver CLASS 2 Tractor Trailer-Semi Tractor Trucks-Pole Trailers-Ready Mix Trucks-Fuel Trucks-Asphalt-Oil Spray bar men- 5 Axle & Over -Belly Dumps-End Dumps-Articulated Dump Trucks-Low boys- Heavy duty Equipment (irrespective of load carried) when used exclusively for transportation- Truck Mechanics (when needed)	\$28.46		\$7.00	\$7.90	\$0.20	\$0.00	\$0.00	\$0.00	\$0.00	\$0.00	\$43.56	\$57.79
<b>Apprentice</b>	<b>Percent</b>											
First 6 months	80.00	\$22.77	\$7.00	\$7.90	\$0.20	\$0.00	\$0.00	\$0.00	\$0.00	\$0.00	\$37.87	\$49.25
7-12 months	85.00	\$24.19	\$7.00	\$7.90	\$0.20	\$0.00	\$0.00	\$0.00	\$0.00	\$0.00	\$39.29	\$51.39
13-18 months	90.00	\$25.61	\$7.00	\$7.90	\$0.20	\$0.00	\$0.00	\$0.00	\$0.00	\$0.00	\$40.71	\$53.52
19-24 months	95.00	\$27.04	\$7.00	\$7.90	\$0.20	\$0.00	\$0.00	\$0.00	\$0.00	\$0.00	\$42.14	\$55.66
25-30 months	100.00	\$28.46	\$7.00	\$7.90	\$0.20	\$0.00	\$0.00	\$0.00	\$0.00	\$0.00	\$43.56	\$57.79

**Special Calculation Note :** No special calculations for this skilled craft wage rate are required at this time.



**Ratio :**

3 Journeymen to 1 Apprentice

**Jurisdiction ( \* denotes special jurisdictional note ) :**

ADAMS, ALLEN, ASHLAND, ASHTABULA, ATHENS, AUGLAIZE, BELMONT, BROWN, BUTLER, CARROLL, CHAMPAIGN, CLARK, CLERMONT, CLINTON, COLUMBIANA, COSHOCTON, CRAWFORD, DARKE, DEFIANCE, DELAWARE, ERIE, FAIRFIELD, FAYETTE, FRANKLIN, FULTON, GALLIA, GREENE, GUERNSEY, HAMILTON, HANCOCK, HARDIN, HARRISON, HENRY, HIGHLAND, HOCKING, HOLMES, HURON, JACKSON, JEFFERSON, KNOX, LAWRENCE, LICKING, LOGAN, LORAIN, LUCAS, MADISON, MAHONING, MARION, MEDINA, MEIGS, MERCER, MIAMI, MONROE, MONTGOMERY, MORGAN, MORROW, MUSKINGUM, NOBLE, OTTAWA, PAULDING, PERRY, PICKAWAY, PIKE, PORTAGE, PREBLE, PUTNAM, RICHLAND, ROSS, SANDUSKY, SCIOTO, SENECA, SHELBY, STARK, SUMMIT, TRUMBULL, TUSCARAWAS, UNION, VAN WERT, VINTON, WARREN, WASHINGTON, WAYNE, WILLIAMS, WOOD, WYANDOT

**Special Jurisdictional Note :**

**Details :**

\*\* Asphalt - Oil spray bar man when operating from cab shall receive \$0.20 cents per hour above their Basic Hourly Rate.

***SECTION M***  
***SPECIAL PROVISIONS/TECHNICAL***  
***SPECIFICATIONS***

**EDWARDSVILLE ROAD BRIDGE #196-1.01 REHABILITATION PROJECT  
SPECIAL PROVISIONS/TECHNICAL SPECIFICATIONS**

The 2019 Ohio Department of Transportation Construction and Material Specifications and the Supplemental Specifications shall govern this project unless stated otherwise by the Warren County Engineer, herein referred to as “Engineer”, “Project Engineer” and “County Engineer”.

It is required that the bidder be an ODOT pre-qualified Contractor to complete the construction work required in these Bid Documents. The Contractor, Sub-Contractor, and Fabricators must meet or exceed the ODOT Minimum Skills Requirements for all Work Types involved in this project.

**Conflicting Items in Bid Documents**

**Whenever the Technical Specifications and Bid Proposal Quantities differ from the Construction Plans, the Technical Specifications and Bid Proposal Quantities shall control for the bidding of this project.**

**Encouraging Diversity, Growth and Equity (EDGE) Requirements**

Pursuant to Ohio Revised Code 123.152, five percent (5%) of the awarded Contractor's bid must be subcontract to certified EDGE firms. EDGE certified firms are those who have been certified by the Ohio ODOT of Administrative Services. The Contractor must use its best efforts to solicit quotes from and to utilize EDGE subcontractors/suppliers on this project.

In the event that the EDGE contract goal established by Warren County is not met, the Apparent Low Bidder shall demonstrate that it made adequate good faith efforts (GFEs) to meet the goal, even though it did not succeed in obtaining enough EDGE participation to do so.

The Apparent Low Bidder shall demonstrate its GFEs by submitting the following information within five (5) calendar days after the bid opening:

- (1) All written quotes received from certified EDGE firms;
- (2) All written (including email) communications between the Apparent Low Bidder and EDGE firms;
- (3) All written solicitations to EDGE firms, even if unsuccessful;
- (4) Copies of each non-EDGE quote when a non-EDGE was selected over a EDGE for work on the contract;
- (5) Phone logs of communications with EDGE firms.

All other Bidders shall submit documentation of GFEs if notified that the information is required in order for Warren County to complete its bid assessment. Bidders shall have five (5) calendar days from the date of notification to submit all required GFE documentation. Notification will be by phone or email.

Warren County shall utilize the guidance set forth in 49 CFR §26.53 Appendix A in determining whether the Bidder has made adequate good faith efforts to meet the goal. Warren County will review the GFE documentation and issue a written determination on whether adequate GFEs have been demonstrated prior to awarding the contract.

**EDWARDSVILLE ROAD BRIDGE #196-1.01 REHABILITATION PROJECT  
SPECIAL PROVISIONS/TECHNICAL SPECIFICATIONS**

**Construction Engineering and Project Inspection**

The Warren County Engineer will provide all construction engineering and project inspection for the construction of this project.

**Operations Schedule**

The Contractor shall advise and coordinate all work with the Engineer. A detailed schedule of operations shall be furnished by the Contractor to the Engineer and shall list the order of operations and the time frame for the completion of each item of work. The Engineer and the Owner prior to the beginning of the work shall approve the schedule of operations. Changes to said schedule are to be issued in writing and approved by the Engineer before operations are changed or rescheduled. The Contractor shall schedule operations so that the improved areas have had sufficient time to cure, set and/or harden before the area is opened to traffic or use. The Contractor shall be responsible for the immediate repair of the improved area if any damage is done by traffic. The Contractor shall also be responsible for the immediate rectification of problems created in areas outside of the improved areas attributable to the failure of the improved area, i.e., the tracking of materials into unimproved areas.

**Preconstruction Meeting**

Prior to the commencement of the construction activities, the Warren County Engineer will arrange a meeting between the Contractor and the Warren County Engineer. The time, date, and location of said meeting will be determined after the awarding of the contract. All parties will be notified by the Warren County Engineer. At the preconstruction meeting the Contractor shall submit to the Project Manager a construction schedule, list of subcontractors, and list of suppliers.

**Project Start Date**

The Contractor shall begin the construction once a written notice-to-proceed has been given by the Board of Warren County Commissioners and a preconstruction meeting with the Warren County Engineer has been held.

**Completion Time**

All work shall be completed within 10 weeks after the written notice-to-proceed has been issued by the Board of Warren County Commissioners, a preconstruction meeting has been held, and construction has started. Liquidated damages for non-completion beyond the 10 weeks shall follow the CMS 108.07. Once work has started it shall be expected that work will be performed every work day on the project in an expeditious manner until the project is complete unless of incimate weather.

**EDWARDSVILLE ROAD BRIDGE #196-1.01 REHABILITATION PROJECT  
SPECIAL PROVISIONS/TECHNICAL SPECIFICATIONS**

**Working Restrictions**

No work shall be done between 6:00 p.m Friday and 7:00 a.m. Monday or during holidays, unless approved by the County Engineer. In addition, night work of any type shall be strictly prohibited, unless approved by the County Engineer.

**Payment of Work**

Contractor Estimates shall not be submitted more than once a month to the County Engineer for work included in the Contract between the County Commissioners and the Contractor. This project is a Federal to State Funding Exchange project which is similar to an ODOT LPA project based on paperwork, however ODOT will not be involved in the construction process. ODOT will make direct payments to the Contractor for 95% of construction costs and Warren County will make payments to the Contractor for 5% of the construction costs.

**Retainage and Affidavits**

The contractor shall provide the County Engineer with affidavits stating that all subcontractors and suppliers for this project have been paid in full in accordance with CMS 109.08. A percentage of the original contract bid amount shall be retained on this project. Until 50% of the original contract has been performed, 8% of the amount of work performed will be retained. Once 50% of the contract has been performed and thereafter, a total of 4% of the original contract bid amount will be retained. The entire retainage will be released to the Contractor after the final inspection has been performed, after the County Engineer has accepted the construction, and after all affidavits have been submitted to the County Engineer by the Contractor.

**Change Orders**

No change orders involving performance or nonperformance contract quantities of project materials shall be processed without direct approval by the Warren County Engineer.

**Storage of Construction Materials**

The Contractor shall obtain prior approval of the Owner and/or Engineer for the locations to be used for the temporary storage of construction materials, tools, and/or machinery. All such materials, tools, and machinery shall be neatly and compactly piled in such a manner as to cause the least inconvenience to the property owners and to traffic. Under no circumstances shall existing drainage courses be blocked or water hydrants, valves, or meter pits covered.

**Protection of Areas Outside of Work Limits**

The Contractor shall be responsible for the protection of areas outside of the designated work limits, but which may be adjacent to those work limits. This will include those areas used by construction traffic for access to and from the work areas. Where the Engineer determines that the Contractor's operations have been responsible for damage to areas outside of the work limits,

**EDWARDSVILLE ROAD BRIDGE #196-1.01 REHABILITATION PROJECT  
SPECIAL PROVISIONS/TECHNICAL SPECIFICATIONS**

the Contractor shall be responsible for the repair of the area subject to the approval of the Engineer. No additional compensation will be due to the Contractor for any repair of these areas.

**Debris Removal**

The Contractor shall be responsible for removal from the site of all construction debris material. All debris material shall be disposed of in a proper manner and shall be as directed by any applicable local, state or federal regulations. Contractor shall take precautions to avoid any demolition debris from entering the stream. Any material that does fall into the stream shall be removed as soon as possible.

**Asbestos Notification**

An asbestos survey of the existing bridge, SFN 8333556, was completed by a certified asbestos hazard evaluation specialist (CAHES) on 9/04/18. A copy of the Ohio Environmental Protection Agency Notification of Demolition and Renovation form partially completed by Warren County and a copy of the asbestos survey will be provided to the Contractor at the preconstruction meeting. Although, asbestos abatement is not required, the Contractor shall finalize the form and submit it along with the necessary fee to the Ohio EPA, DAPC Asbestos Program, at least 10 days prior to demolition activities. A completed form and payment can be mailed to the Ohio EPA or it can be completed and paid online at the following website <http://epa.ohio.gov/dapc/atu/asbestos>. Payment for the work listed above as well as the Ohio EPA form fee shall be included in the Lump Sum bid price for Item 202 Portions of Structure Removed, As Per Plan.

**Debris Containment**

The Contractor shall prevent all material, bridge sealers, and other construction debris from falling into the stream during the entire project. Any material which falls into the stream shall be removed immediately.

**Utility Notification**

The Contractor shall notify at least 48 hours before breaking ground all public and/or private service corporation having wires, poles, conduits, manholes, or other structures that may be affected by the construction on this project, including all structures which are affected and not shown on the plans. Owners of underground utilities, which are members of OUPS, can be notified by calling 1-800-362-2764. Non-member underground utility owners must be called directly.

**Utility Adjustments and Verification**

The Contractor shall adjust to proposed grade all existing utility facilities, i.e. manholes, catch basins, valves, boxes, etc., prior to the commencement of paving operation. This shall include utility facilities, not shown on the plan, which may be found to be located within the pavement

**EDWARDSVILLE ROAD BRIDGE #196-1.01 REHABILITATION PROJECT  
SPECIAL PROVISIONS/TECHNICAL SPECIFICATIONS**

area. Work performed on the utility facilities shall be in strict accordance with the specifications of the applicable utility owner and shall be performed under the direction, supervision and inspection of said owner.

**Existing Pipe**

The location, size, type and depth of all existing pipe are shown as according to the best information. The Engineer will not be responsible for any variations found during construction. Where the plans provide for conduit to be connected to, or to cross either over or under, or close to an existing underground structure, it shall be the responsibility of the Contractor to locate the existing structure, both as to line and grade, before he starts to lay the proposed conduit, in order to assure compatibility of line and grade of the proposed conduit. Payment for all operations described above shall be included in the unit price bid for the pertinent conduit item.

**Maintenance of Sewer Flows**

The Contractor shall conduct his operations so as to maintain at all times storm water and sewer flows through existing facilities to remain in place and through existing facilities to be replaced until new facilities are completed and placed in use.

**Testing of Construction Materials**

The Engineer may select a testing firm for this project. The Engineer will notify the Contractor of the selected firm. The Engineer shall be responsible for the costs incurred in the testing of the construction materials both on site and at the plant. However, the Contractor shall note that he will be responsible for any and all costs incurred by the scheduling and/or rescheduling of the testing firm's activities by the Contractor and the subsequent delay and/or cancellation of said activities due to the delay and/or cancellation of the scheduled construction by the Contractor.

**Item 201 - Clearing and Grubbing**

A Lump Sum quantity is included in the bid proposal for Item 201 Clearing and Grubbing. Any necessary clearing and grubbing within the limits of construction, except such objects as are to remain or are to be removed in accordance with other sections of these specifications shall be the responsibility of the Contractor. The Contractor shall keep clearing to a minimum removing only what is necessary to complete construction. It is anticipated that the Contractor will need to perform some tree trimming around the bridge for the crane work and remove the four trees as shown in the plans. Payment for the work listed above shall be included in the Lump Sum bid price for Item 201 Clearing and Grubbing.

**Item 202 – Removals**

This work shall consist of the removal, wholly or in part, and satisfactory disposal of all buildings, fences, guardrails, structures, old pavements, abandoned pipe lines, storage tanks, septic tanks, privy vaults, and any other obstructions which are not designated or permitted to

**EDWARDSVILLE ROAD BRIDGE #196-1.01 REHABILITATION PROJECT  
SPECIAL PROVISIONS/TECHNICAL SPECIFICATIONS**

remain, except for the obstructions to be removed and disposed of under other items in the contract. It shall also include the salvaging of designated materials and backfilling the resulting trenches, holes, and pits.

**Item 202 – Portions of Structure Removed, As Per Plan**

The Contractor shall be responsible for all the equipment, materials, and labor necessary in the removal of the bridge rail, concrete box beams, and portions of the reinforced concrete abutments as detailed in the plans. The Contractor shall take into consideration the deterioration and condition of the existing concrete box beams when planning means and methods of removing asphalt wearing surface. The bridge is currently posted for reduced weights based on number of axels per vehicle. The Contractor shall perform the work carefully during the removal to protect portions of the bridge that are to be salvaged and incorporated into the proposed structure. The Contractor shall replace or repair all items that are damaged by the removal operations at no cost to Warren County. The Contractor shall thoroughly clean the existing weep holes of all dirt, dust, or other foreign materials with water, air under pressure, or any other method that produces satisfactory results. The Contractor can complete the removal of the existing concrete backwalls utilizing chipping hammers or with vertical and horizontal saw cutting. Payment for the work listed above shall be included in the Lump Sum bid price for Item 202 Portions of Structure Removed, As Per Plan.

**Item 202 – Fence Removed**

The Contractor shall remove the existing wooden rail fence located between the southwest corner of the bridge and the existing field access. Remove the portion of the fence located inside the existing road right-of-way to the property line as shown in the plans for the installation of the proposed guardrail end treatment. Payment for the work listed above shall be included in the bid price per FT for Item 202 Fence Removed.

**Existing Bridge Plans**

The Warren County Engineer can provide the existing bridge plans to the Contractor at their request.

**Item 203 – Excavation Including Pavement Removal**

All excavation work shall comply with Item 203 Excavation in the 2019 ODOT Construction and Materials Specifications. Payment for the excavation work including the existing asphalt pavement removal and saw cutting, as detailed in the plans shall be included in bid price per CY for Item 203 Excavation including Pavement Removal. The Contractor shall saw cut the pavement areas before removing to obtain a uniform edge.

**Item 304 – Aggregate Base**

Where areas beyond the limits of porous backfill are in need of roadway fill due to excavation for substructure, Item 304 Aggregate Base shall be used as directed by the Engineer. Item 304



**EDWARDSVILLE ROAD BRIDGE #196-1.01 REHABILITATION PROJECT  
SPECIAL PROVISIONS/TECHNICAL SPECIFICATIONS**

Aggregate Base shall be placed and compacted in the excavated areas in compliance with section 304.05 of the ODOT Construction and Material Specifications. Payment for this work shall be included in the bid price per CY for Item 304 Aggregate Base.

**Item 407 – Tack Coat**

Item 407 Tack Coat shall be applied at a rate of 0.10 gallon per square yard as directed by the Engineer. The application of the tack coat shall be applied to the entire width of the roadway immediately prior to the paving operation. Tack Coat shall be placed prior to the intermediate course of asphalt as well as prior to the surface course of asphalt. Payment for the work listed above shall be included in the bid price per Gallon for Item 407 Tack Coat.

**Asphalt Concrete**

All material furnished and work performed shall conform to the 2019 Ohio Department of Transportation Construction and Material Specifications (ODOT CMS) for Item 301 Asphalt Concrete Base and Item 441 Asphalt Concrete Intermediate and Surface Courses.

The Contractor shall supply the County Engineer with a weigh ticket for each load of material placed. Periodic asphalt samples will be obtained for test purposes and an independent testing laboratory will perform tests.

**No material shall be placed upon collected water. Asphalt surfaces shall be clear of dirt and debris prior to the placing of each subsequent lift. The Contractor shall adhere to the judgment of the Warren County Engineer’s designated representatives.**

The Contractor's attention is directed to Section 401.14 of the ODOT Specifications and he is hereby instructed that requirements for preparation of asphalt pavement to be resurfaced will be adhered to, and cost of any and all cleaning is to be included in the unit price bid for Item 301 and Item 441.

**Butt Joints** - A butt joint shall be constructed by grinding/planing existing pavement at each start/stop location. All grinding/ planing shall be in accordance with Item 254 Pavement Planing. The butt joints shall be constructed by grinding/planing the existing pavement for a length of 6 feet, varying in depth from 2” to 0”. The newly formed joint shall be properly installed so as to provide a smooth transition and shall also be properly sealed. The cost of constructing each butt joint by pavement planing/grinding shall be included and paid for in Item 441 Asphalt Concrete Surface Course.

**Item 503 – Unclassified Excavation**

The Contractor shall be responsible for all the labor and equipment necessary in excavating the roadway material behind the existing concrete abutments for removal of portions of the existing bridge and for construction of the new bridge structure. Payment for the work listed above shall be included in the Lump Sum bid price for Item 503 Unclassified Excavation.

**EDWARDSVILLE ROAD BRIDGE #196-1.01 REHABILITATION PROJECT  
SPECIAL PROVISIONS/TECHNICAL SPECIFICATIONS**

**Item 511 – Class QC 2 Concrete, Superstructure, As Per Plan**

The Contractor shall be responsible for all the labor and material necessary in constructing the concrete superstructure as detailed in the plans. Concrete shall meet all requirements of Item 511 Concrete for Structures. Concrete shall be Class "QC 2" (28 day compressive strength = 4500 psi). Contractor shall follow section 499.03 for concrete slump. Payment for the work listed above including the expanded polystyrene filler shall be included in the bid price per CY for Item 511 Class QC 2 Concrete, Superstructure, As Per Plan.

**Item 512 - Sealing of Concrete Surfaces (Epoxy Urethane)**

The Contractor shall seal portions of the concrete box beams as detailed in the plans as well as all exposed portions of the concrete abutments with an epoxy urethane sealant after the concrete has cured. The sealing of concrete surfaces shall be in accordance with section 512.03. The Contractor shall take precautions to keep spillage and overspray from entering the stream. The color of the sealant shall be FED# 36492 (gray) or approved equal. Payment for the work listed above shall be included in the bid price per SY for Item 512 Sealing of Concrete Surfaces (Epoxy Urethane).

**Item 515 – Prestressed Concrete Non-Composite Box Beam Bridge Members, Level 1, B17-48, As Per Plan (CFCC)**

The Contractor shall be responsible for all the equipment, materials, and labor necessary in setting the seven (7) – B 17” x 48”, Prestressed Concrete Box Beam Members. The beams shall conform to the details in the plan set as well as meet the current specifications set forth in the “State of Ohio Department of Transportation Construction and Material Specifications” for Item 515 and Standard Drawings PSBD-2-07 (sheets 1-4) dated 1-21-11, except as modified in the plan note. These beams shall include carbon fiber composite cable (CFCC) as the prestressing strands and shall utilize stainless steel for reinforcing, lifting inserts, and anchor dowel bars. A pre-fabrication meeting between Warren County, Barge Design, Tokyo Rope, and the Fabricator shall take place per CMS 515.07. Shop drawings shall be submitted to Roy Henson, Warren County Engineer’s Office, 210 W. Main Street, Lebanon, Ohio 45036 (Roy.Henson@co.warren.oh.us) for review and approval. Payment for the work listed above shall be included in the bid price per Each for Item 515 Prestressed Concrete Non-Composite Box Beam Bridge Members, Level 1, B17-48, As Per Plan (CFCC).

**List of Fabricators Producing CFCC Prestressed Concrete Box Beams:**

Prestress Services Industries (859) 299-0461

Peninsula Prestress Company (616) 437-9618

Carr Concrete Corporation (304) 464-4441

**EDWARDSVILLE ROAD BRIDGE #196-1.01 REHABILITATION PROJECT  
SPECIAL PROVISIONS/TECHNICAL SPECIFICATIONS**

**Item 519 – Patching Concrete Structures**

**Item 843 – Patching Concrete Structures with Trowelable Mortar**

The Contractor shall patch the existing damaged concrete substructure with formwork and pour or with trowelable mortar as directed by the Engineer. An estimated quantity of 75 SF of concrete substructure repair has been included in the proposal. It is anticipated that approximately 55 SF will be repaired with formwork and pour and approximately 20 SF with trowelable mortar. All work shall conform to Item 519 Patching Concrete Structures and Supplemental Specification 843 Patching Concrete Structures with Trowelable Mortar and shall include removal of disintegrated concrete, placing of reinforcing steel and dowel holes, preparation of surface, formwork, concrete, and curing of concrete. Payment for the work listed above shall be included in the bid price per SF for Item 519 Patching Concrete Structures and Item 843 Patching Concrete Structures with Trowelable Mortar.

**Concrete Patching Procedure with Formwork and Pour:**

1. Remove all loose and disintegrated concrete exposing a sound concrete surface, preferably 1 inch behind reinforcement. The Contractor shall use pneumatic or hand tools for removal. Saw cut into sound concrete at least 1 inch deep around area to be removed to square the edges (do not cut rebar).
2. Secure any loose reinforcement and replace any damaged reinforcement.
3. Install dowels, bolts, wire fabric, or new reinforcement as directed by the Engineer.
4. Clean the patch area surface and existing reinforcement thoroughly. Drench the surface with clean water and allow area to dry to damp condition (Saturated Surface Dry “SSD”), no pockets of visible water, before placing concrete.
5. Install formwork.
6. Place and finish concrete according to Item 499 Concrete and Item 511 Concrete for Structures. Concrete shall be Class QC 2 with No. 8 aggregate for better flowability around rebar (28 day compressive strength = 4500 psi).
7. Use small vibrator or hit forms with hammer to achieve proper consolidation of concrete.
8. Remove formwork within 24 hours after placing concrete. Finish all exposed surfaced by rubbing to match the surrounding concrete.
9. Apply curing membrane according to section 511.17, Method B, after rubbing the surface.
10. After curing is complete seal all portions of concrete that have been patched as directed by the Engineer.

**Concrete Patching Procedure with Trowelable Mortar:**

1. Remove all loose and disintegrated concrete exposing a sound concrete surface, preferably 1 inch behind reinforcement. The Contractor shall use pneumatic or hand tools for removal. Saw cut into sound concrete at least 1 inch deep around area to be removed to square the edges (do not cut rebar).
2. Secure any loose reinforcement and replace any damaged reinforcement.
3. Install dowels, bolts, wire fabric, or new reinforcement as directed by the Engineer.

**EDWARDSVILLE ROAD BRIDGE #196-1.01 REHABILITATION PROJECT  
SPECIAL PROVISIONS/TECHNICAL SPECIFICATIONS**

4. Clean the patch area surface and existing reinforcement thoroughly. Drench the surface with clean water and allow area to dry to damp condition (Saturated Surface Dry “SSD”), no pockets of visible water, before placing concrete.
5. Mix and hand place bag mix concrete that is approved under Supplemental Specification 843. The bag mix shall be mixed and placed in accordance with the manufacturer’s specifications and recommendations. Concrete shall meet (28 day compressive strength = 5000 psi).
6. Patches shall be cured in accordance with the manufacturer’s recommendations.
7. After curing is complete seal all portions of concrete that have been patched as directed by the Engineer.

**Item Special – Steel Drip Strip**

The Contractor shall install steel drip strips on both sides of the bridge for the entire length per ODOT Standard Drawing DS-1-92. This work shall include the separate guardrail pieces. Payment for the work listed above shall be included in the bid price per FT for Item Special Steel Drip Strip.

**Item 614 - Maintaining Traffic**

Traffic control shall be the sole responsibility of the Contractor. The County of Warren shall be held harmless from liabilities caused by improper traffic control by the Contractor. The contractor shall indemnify Warren County from any and all liabilities due to improper maintenance of traffic. All road construction signs shall also be the responsibility of the Contractor. All traffic control shall conform to the Ohio Manual of Uniform Traffic Control Devices (OMUTCD) as well as the Ohio Department of Transportation Standards at all times.

Any devices that are determined by the Engineer to be substandard shall be repaired to the satisfaction of the Engineer or shall be immediately removed from the site and replaced with acceptable devices. Any temporary traffic control devices that are determined by the Engineer to become substandard during the course of the project shall be removed from the jobsite and immediately replaced by devices meeting the approval of the Engineer.

The Contractor shall provide and maintain all signs, barricades, labor, flagmen, steel plates, etc. for all work on this project. The Contractor shall notify the Warren County Engineer two (2) weeks prior to any road closure. The Contractor shall provide a minimum of two (2) Type III Barricades on each end of the closed section of Edwardsville Road. The barricades shall be chain linked together and fixed to the ground or some other object overnight. The Contractor shall maintain access to all driveways in the work area for the duration of the project. The Contractor shall provide alternatives to garbage collection services and emergency rescue services for all residents within the closed portions of roadway during the road closures. Any conflicting markings shall be removed or covered in accordance with Item 614.

Two notice of road closure signs shall be erected by the Contractor two weeks in advance of the road closure. The signs shall be erected on the right hand side of the road facing traffic and shall

**EDWARDSVILLE ROAD BRIDGE #196-1.01 REHABILITATION PROJECT  
SPECIAL PROVISIONS/TECHNICAL SPECIFICATIONS**

be located in the field so as not to interfere with any permanent signs. The notice of closure signs shall be W20-H13-60 signs and shall state the following.....EDWARDSVILLE ROAD WILL BE CLOSED FOR 10 WEEKS STARTING (EXACT CLOSURE DATE).

Methods of maintaining traffic shall conform to the Manual of Uniform Traffic Control Devices and Item 614 of the ODOT Specifications. Payment for the work listed above shall be included in the Lump Sum price bid for Item 614 Maintaining Traffic.

**Item 623 - Construction Layout Stakes and Surveying**

All centerline of survey and property corner monumentation that is disturbed during construction shall be reset by a Professional Surveyor. Payment for the construction layout and work listed above shall be included in the Lump Sum bid price for Item 623 Construction Layout Stakes.

**Pavement Marking**

All pavement marking material and work shall comply with Item 641 Pavement Marking-General and Item 644 Thermoplastic Pavement Marking in the 2019 ODOT Construction and Materials Specifications.

**Item 832 – Erosion Control**

The Contractor shall furnish and install temporary sediment and erosion control best management practices required prior to any earth disturbing activity in accordance with Supplemental Specification 832. All pollution prevention measures must be maintained for the duration of construction. The Contractor shall remove all best management practices before the project is accepted. Payment for this work shall be included in the bid price per Each for Item 832 Erosion Control. This price is standard for all bidders, set at \$1.00 Each for a total of \$2,500.00.

## INVITATION TO BIDDERS

Separate sealed bids for the Edwardsville Road Bridge #196-1.01 Rehabilitation Project will be received by the Warren County Board of Commissioners at the Office of the Warren County Commissioners, 406 Justice Drive, Lebanon, Ohio 45036, until 9:00 a.m., February 2, 2021, and then at said time publicly opened and read aloud.

Bid documents and specifications are available online at the Warren County's Website at [www.co.warren.oh.us/commissioners/bids](http://www.co.warren.oh.us/commissioners/bids). Questions regarding the technical specifications should be directed to Roy Henson, Warren County Engineer's Office, at (513) 695-3310. Each contractor shall be ODOT prequalified. Each bid shall contain the full name of each person or company submitting the bid and be accompanied by a bid bond for the full amount of the bid or a certified check in the amount equal to ten (10) percent of the bid.

To access bid project information, under the "Your Government" heading click on the "Board of Commissioners" tab, then click on the "Bid Projects" tab and choose the project you wish to obtain information about. Please contact the Warren County Commissioners Office at (513) 695-1250 if you have trouble with this procedure or if you need additional information on accessing bid project information on our website.

If the contractor would like to bid the project, they must contact [Kiana.Hawk@co.warren.oh.us](mailto:Kiana.Hawk@co.warren.oh.us) to be put on the bidders list. Please be aware that if you are downloading this document to bid this project, addendums to the scope may be issued prior to the bid date. In order to stay updated on any change, please email Laura Lander in the Commissioners' Office at [Kiana.Hawk@co.warren.oh.us](mailto:Kiana.Hawk@co.warren.oh.us) with your contact information.

A Bid guaranty, as required by Ohio Revised Code, Section 153.54, shall accompany each proposal submitted, as follows:

1. A Certified check, cashiers check, or letter of credit equal to ten (10) percent of the bid. A letter of credit may only be revocable by the Owner. Upon entering into a contract with the Owner, the contractor must file a performance bond for the amount of the contract, and the bid guaranty will then be returned to the successful and unsuccessful bidders upon contract execution.

**OR**


2. A form of bid guaranty bond (attached) for the full amount of the bid. Such bond is retained for the successful bidder, but returned to unsuccessful bidders after the contract is executed.

Attention of bidders is called to all of the requirements contained in the bid packet. No bidder may withdraw his/her bid within sixty (60) days after the actual date of the opening thereof. All bids shall be properly signed by an authorized representative of the bidder.

All bids shall be sealed and plainly marked "Bid Opening – EDWARDSVILLE ROAD BRIDGE #196-1.01 REHABILITATION PROJECT, FEBRUARY 2, 2021 @ 9:00 A.M."

Warren County reserves the right to reject any or all bids submitted, to waive any irregularities in bids, and enter into a contract with the Bidder who in Warren County's consideration offered the lowest and best bid.

By order of the Board of County Commissioners, County of Warren, State of Ohio.

  
\_\_\_\_\_  
Tina Osborne, Clerk



# **BOARD OF COUNTY COMMISSIONERS**

## **WARREN COUNTY, OHIO**

*406 Justice Drive, Lebanon, Ohio 45036*

*www.co.warren.oh.us*

*commissioners@co.warren.oh.us*

*Telephone (513) 695-1250*

*Facsimile (513) 695-2054*

***TOM GROSSMANN***

***SHANNON JONES***

***DAVID G. YOUNG***

### **ADVERTISEMENT FOR BIDS**

Sealed bids will be received by the Clerk of the County Commissioners, Warren County, Ohio, 406 Justice Drive, Lebanon, Ohio 45036, until 9:00 a.m., February 2, 2021, and then at said time bids will be opened and read aloud for the Edwardsville Road Bridge #196-1.01 Rehabilitation Project.

Bid documents and specifications are available online at the Warren County's Website at <http://www.co.warren.oh.us/commissioners/Bids>. Questions regarding the technical specifications should be directed Roy Henson, Warren County Engineer's Office, at (513) 695-3310. Each contractor shall be ODOT prequalified. Each bid shall contain the full name of each person or company submitting the bid and be accompanied by a bid bond for the full amount of the bid or a certified check in the amount equal to ten (10) percent of the bid.

This notice is posted on the Warren County Government internet site. The Warren County Government Website can be accessed by logging onto the internet and typing in the following address [www.co.warren.oh.us/commissioners/bids](http://www.co.warren.oh.us/commissioners/bids). To access bid project information, under the "Your Government" heading click on the "Board of Commissioners" tab, then click on the "Bid Projects" tab and choose the project you wish to obtain information about. Please contact the Warren County Commissioners' Office at (513) 695-1250 if you have trouble with this procedure or if you need additional information on accessing bid project information on our website. If the contractor would like to bid the project, they must contact [Kiana.Hawk@co.warren.oh.us](mailto:Kiana.Hawk@co.warren.oh.us) to be put on the bidders list. Please be aware that if you are downloading this document to bid this project, addendums to the scope may be issued prior to the bid date. In order to stay updated on any change, please email Laura Lander in the Commissioners' Office at [Kiana.Hawk@co.warren.oh.us](mailto:Kiana.Hawk@co.warren.oh.us) with your contact information.

The Board of Warren County Commissioners reserves the right to accept the lowest and best bid, to reject all bids, and to waive any irregularities in bids.

By order of the Board of County Commissioners, Warren County, Ohio.

---

Tina Osborne, Clerk